



SLICER13G

Slicer 13"



Meat Gear SLICER 12G Commercial Meat Slicer.

The SLICER12G Gear-Driven Meat Slicers are engineered for precision slicing of cold cuts and boneless frozen red meats. Designed for demanding, high-volume environments, this slicer deliver powerful, consistent performance for restaurants, hotels, supermarkets, and food processing facilities. The heavy-duty construction and gear-driven transmission ensure reliable operation, accurate slicing, and long-term durability in commercial foodservice applications.

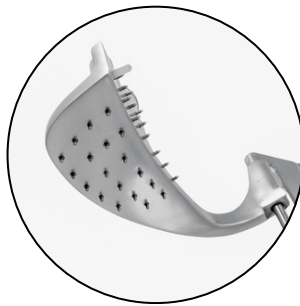


STANDARD FEATURES

- Heavy Duty Anodized Aluminum Construction.
- 13" Chromium Steel Blade
- Powerful 1/2 HP Motor
- Gear Drive Transmission
- 430 RPM
- Adjustable Slice Thickness 0.008 - 0.59 in
- Integrated Blade Sharpener
- Start/Stop Switch



Compact Design



Weight for Slicing



**Integrated Balde
Sharpeners**



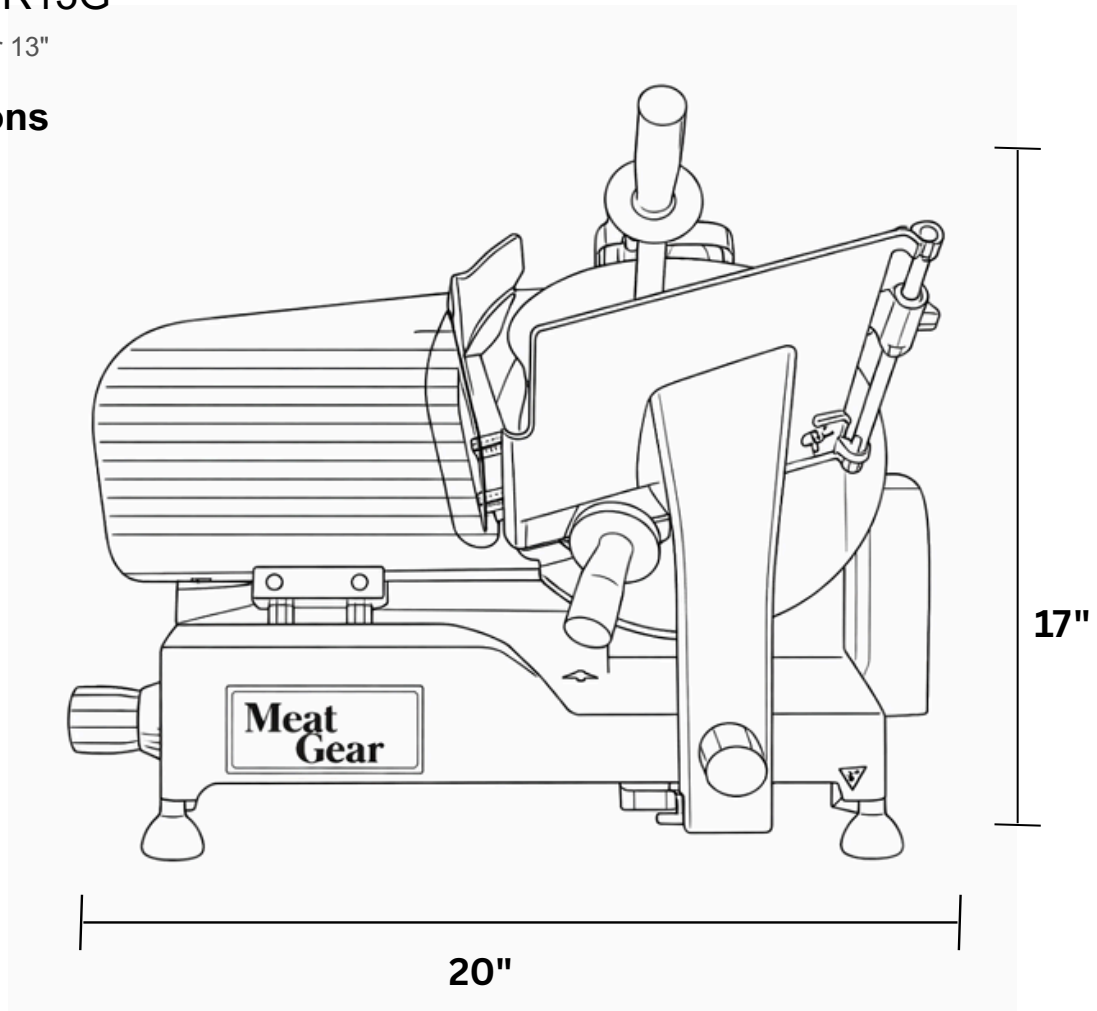
ON/OFF



SLICER13G

Deli Slicer 13"

Details and Dimensions



Technical Specifications

Electrical: 120 Volts, 60 Hz and a Single Phase.

Motor: 1/2 HP Motor

Blade Diameter: 13" Blade

Transmission: Gear Driven Transmission

Finish: Anodized Aluminium

Warranty: Meat Gear 1-Year Warranty, Parts and Labor.

Weight: **Dimensions: L x W x H**
Unit Net: **Unit:** 26" x 21.1" x 20.7"
Shipping: **Shipping:** 31" x 26" x 24"

Attributes - Advantages

Performance:

- Durable, corrosion resistant body designed for long service.
- Powerful 1/2 HP Motor with a 13" Blade.
- High-Torque Gear system that ensures consistent power delivery.
- Optimized blade speed to 430 RPM.

Ease of Operation:

- Built-in Sharpener.
- Easy slice thickness adjustment that allows operators to customize cuts while minimizing product waste.

Smart Control / Safety

- Simple and reliable operation for daily commercial use.