



51" WIDE COUNTERTOP WARMER - PASS-THROUGH -  
DOUBLE HORIZONTAL SHELF

## Model 2 TSM-51



The BKI® 2TSM-51 countertop warmer features a pass-through design, a double horizontal shelf, and a ceramic infrared top heat combined with base bottom heat to keep food fresh and hot for extended times.

With the individual thermostatic controls for top and bottom heat, you can dial in the perfect holding temperatures for sandwiches and other grab-n-go hot food items. The controls may be positioned on either the left or right side of the warmer. (Please specify when ordering.)

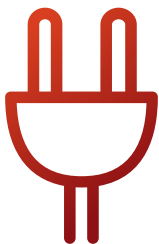
A bottom wire shelf is included to keep food just above the heated pan and allows for easy cleaning. The pass-through design allows for the kitchen to load fresh

food easily from the back while customers can pull from the front of the warmer.

Our warmers come in a range of widths and tiers with both slanted and horizontal shelf options to meet your particular needs.

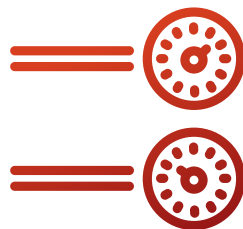
### FEATURES AT A GLANCE

- 51" wide
- Top ceramic infrared heating element
- Stainless steel construction
- Pass-through for easy loading of product
- Illuminated chamber
- Assembled in USA
- Individual thermostatic control for top and bottom heat



#### ELECTRIC OPERATION

Energy efficiency and easy installation are a perfect pairing for your food service operation.



#### INDIVIDUAL TEMP. CONTROL

Individual thermostatic controls for top and bottom heat.

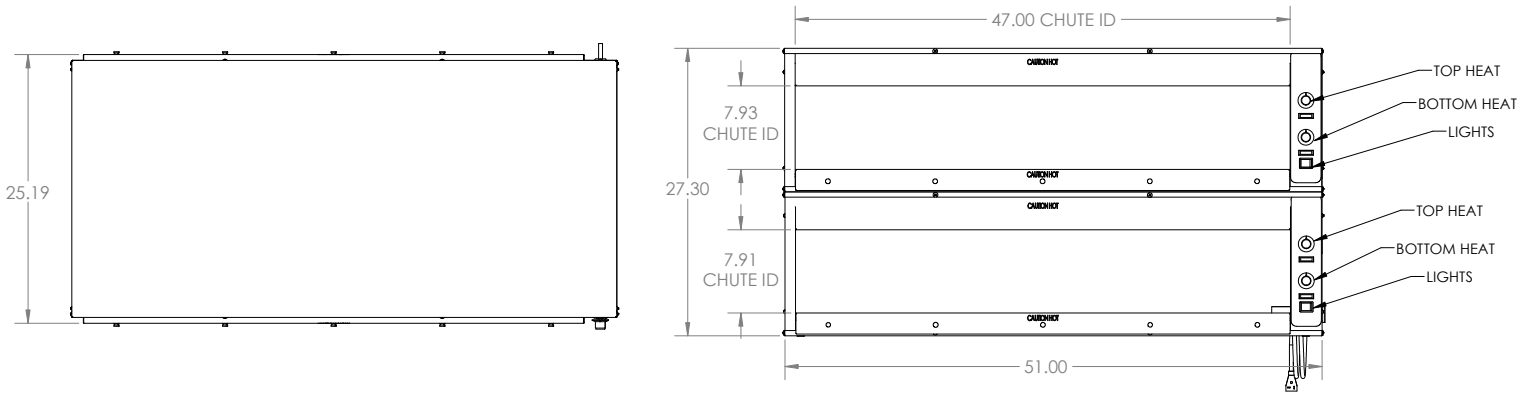


[www.bkideas.com](http://www.bkideas.com)

42 Allen Martin Drive, Essex Junction, VT 05452 • Phone: (802) 658-6600 • Fax: (802) 864-0183

BK1441 Rev A (9/23)

## EQUIPMENT DIMENSIONS



## MECHANICAL SPECIFICATIONS

| Dimensions       | Uncrated           |
|------------------|--------------------|
| Height           | 27" (686 mm)       |
| Width            | 51" (1295 mm)      |
| Depth            | 25" (635 mm)       |
| Chute ID         | 47" (1194 mm)      |
| Countertop Space | 8.85 sq ft (.80 m) |
| Weight           | 210 lb (95.25 kg)  |

## ELECTRICAL OPTIONS

| Volts | Amps | Breaker | kW  | Wires | Phase |
|-------|------|---------|-----|-------|-------|
| 208   | 19.5 | 25      | 4.1 | 2     | 1     |
| 240   | 20.3 | 30      | 4.9 | 2     | 1     |

## OPTIONS

- Direct sealed counter mount or 4" table legs
- Slot dividers



Visit [www.bkideas.com](http://www.bkideas.com) to view all accessories available with this model.