

# SANDWICH/SALAD PREP TABLE

**KIN29SP-HC KIN36SP-HC  
KIN48SP-HC KIN60SP-HC KIN72SP-HC**



KIN29SP-HC



KIN36SP-HC



KIN48SP-HC



KIN60SP-HC



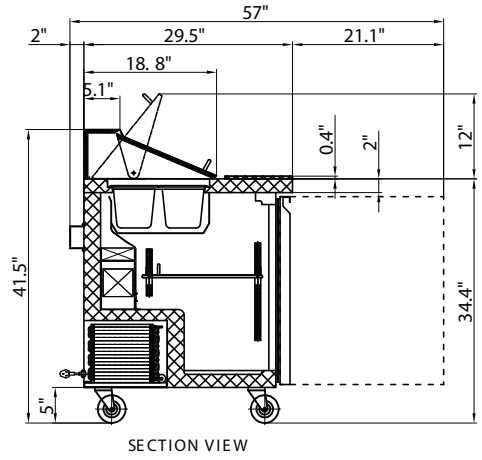
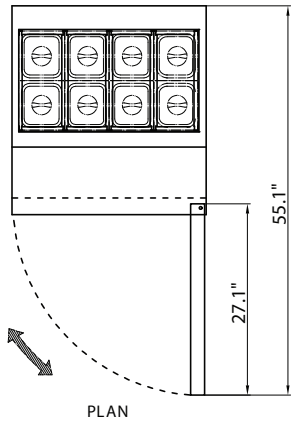
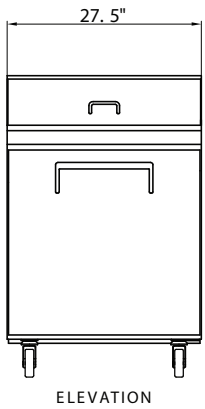
KIN72SP-HC

## FEATURES:

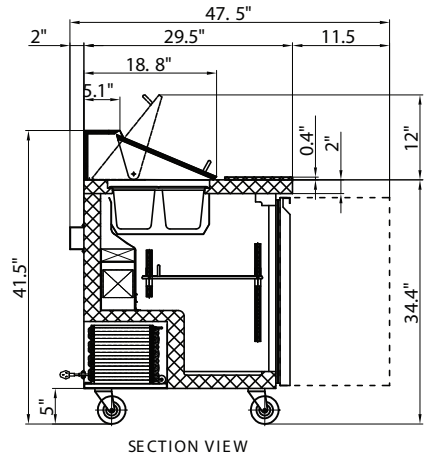
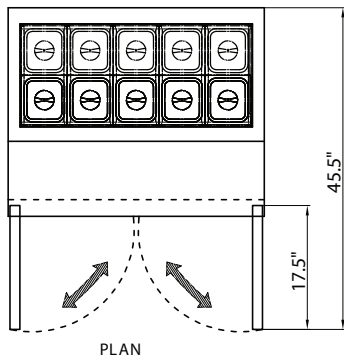
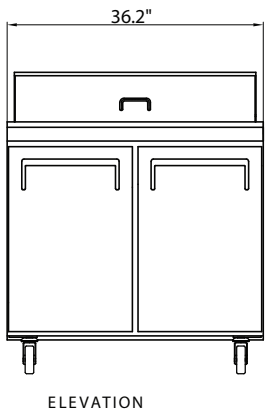
- R290 refrigerant and foam insulation
- Electronic thermostat and digital LED temperature display for accurate control and easy reading
- Easy to mount 4" casters (lockable in front) are standard with all units
- Self-closing doors that remain open at 90 degrees
- Magnetic gasket can be replaced without any tools
- Adjustable, heavy-duty epoxy coated wire shelves (one per door)
- Removable installation board makes it easy to access condenser coil for cleaning and service
- Stainless steel framework construction
- Auto defrosting and auto evaporation of condensation water
- Cutting boards and pans are included
- Exterior: 430 stainless steel, Interior: 201 stainless steel ,Interior floor: 304 stainless steel
- Temperature: 33 to 40°F / 0.5 to 4°C

# SANDWICH/SALAD PREP TABLE

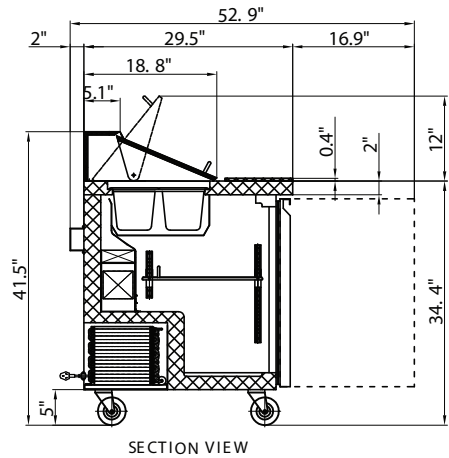
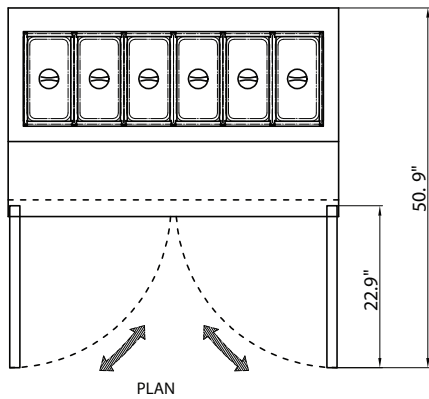
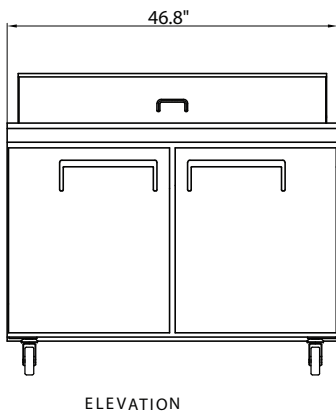
KIN29SP-HC



KIN36SP-HC

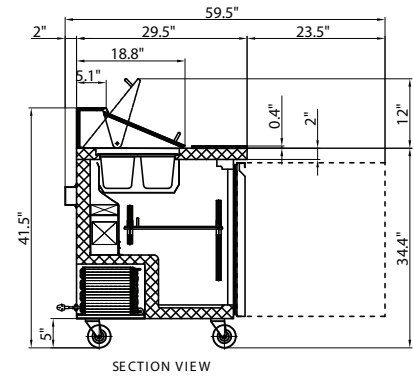
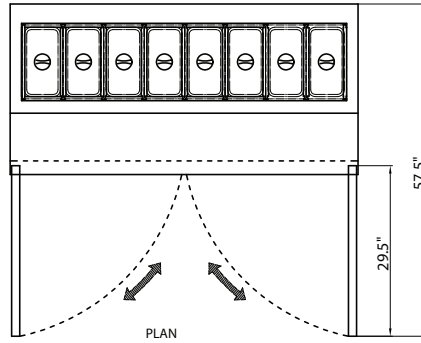
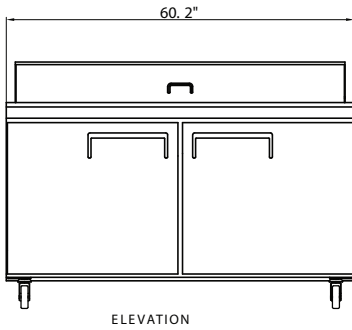


KIN48SP-HC

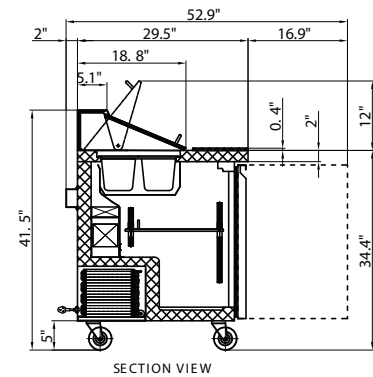
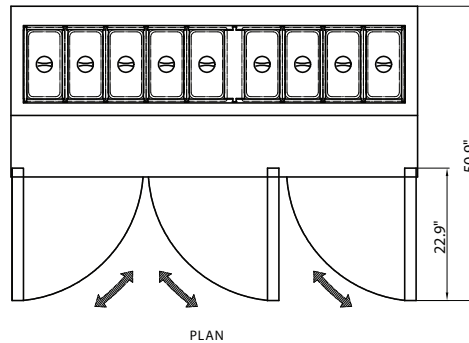
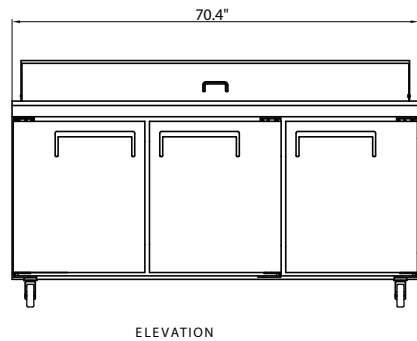


# SANDWICH/SALAD PREP TABLE

KIN60SP-HC



KIN72SP-HC



Model	Doors	Shelf	Exterior Dimensions (In)	Interior Dimensions (In)	Amps	Compressor Size (HP)	Shipping WT (Lbs)	Wheel
KIN29SP-HC	1	1	27.5" x 29.5" x 41.5"	24.2" x 19.8" x 23.5"	3.6	3/7	260	4"
KIN36SP-HC	2	1	36.2" x 29.5" x 41.5"	33" x 19.8" x 23.5"	4.3	3/7	277	4"
KIN48SP-HC	2	1	46.8" x 29.5" x 41.5"	43" x 19.8" x 23.5"	4.9	1/2	352	4"
KIN60SP-HC	2	1	60.2" x 29.5" x 41.5"	56.5" x 19.8" x 23.5"	5.4	1/2	394	4"
KIN72SP-HC	3	1	70.4" x 29.5" x 41.5"	66.6" x 19.8" x 23.5"	7.8	4/5	460	4"