

## SANDWICH/SALAD PREP TABLE - MEGATOP

**KIN29MSP-HC KIN36MSP-HC**  
**KIN48MSP-HC KIN60MSP-HC KIN72MSP-HC**



KIN29MSP-HC



KIN36MSP-HC



KIN48MSP-HC



KIN60MSP-HC



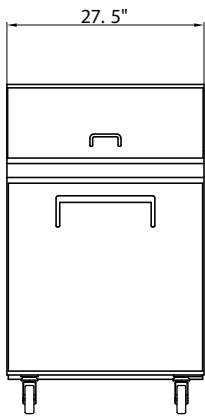
KIN72MSP-HC

### FEATURES:

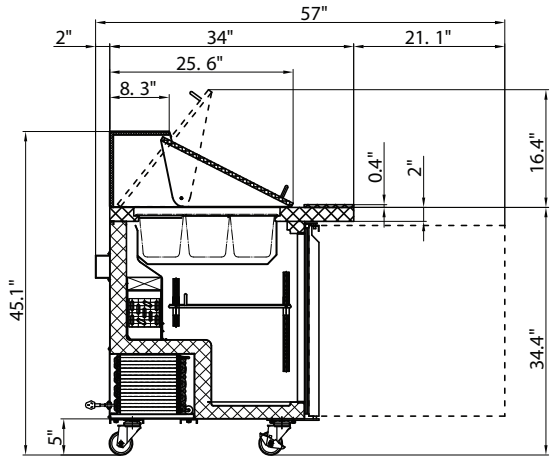
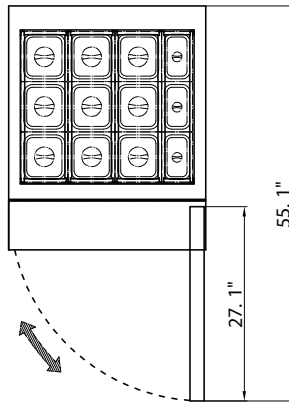
- R290 refrigerant and foam insulation
- Electronic thermostat and digital LED temperature display for accurate control and easy reading
- Easy to mount 4" casters (lockable in front) are standard with all units
- Self-closing doors that remain open at 90 degrees
- Magnetic gasket can be replaced without any tools
- Adjustable, heavy-duty epoxy coated wire shelves (one per door)
- Removable installation board makes it easy to access condenser coil for cleaning and service
- Stainless steel framework construction
- Auto defrosting and auto evaporation of condensation water
- Cutting boards and pans are included
- Exterior: 430 stainless steel, Interior: 201 stainless steel, Interior floor: 304 stainless steel
- Temperature: 33 to 40°F / 0.5 to 4°C

# SANDWICH/SALAD PREP TABLE - MEGATOP

KIN29MSP-HC

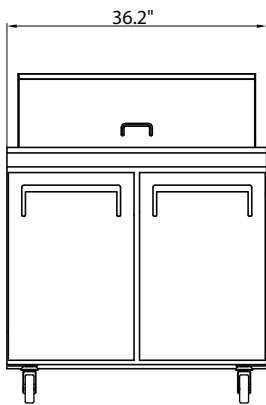


ELEVATION

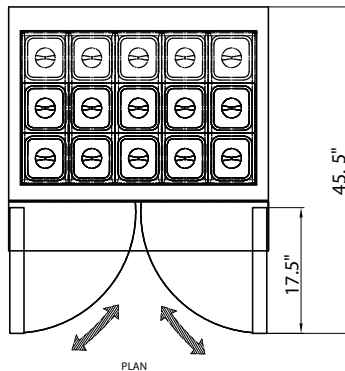


SECTION VIEW

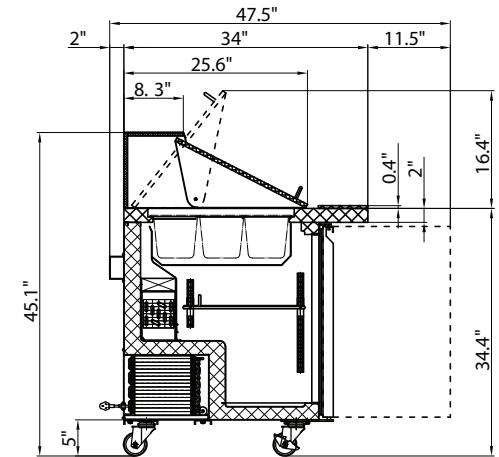
KIN36MSP-HC



ELEVATION

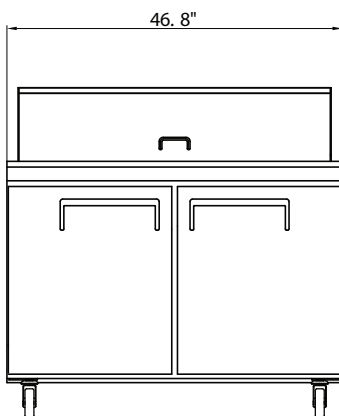


PLAN

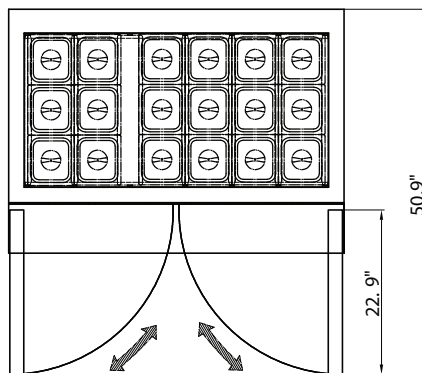


SECTION VIEW

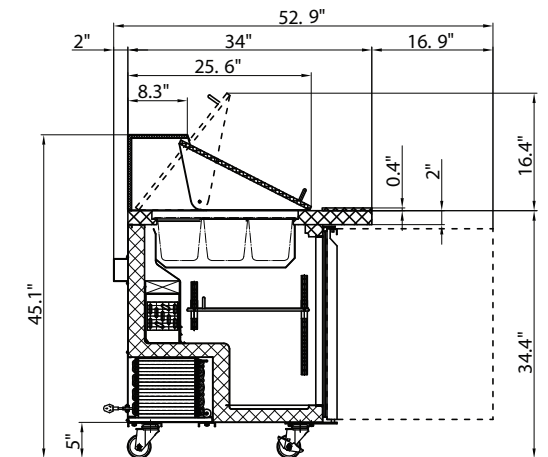
KIN48MSP-HC



ELEVATION



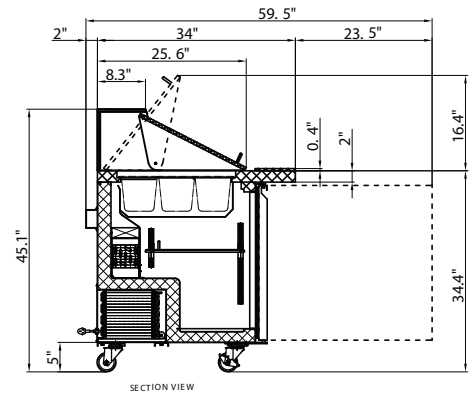
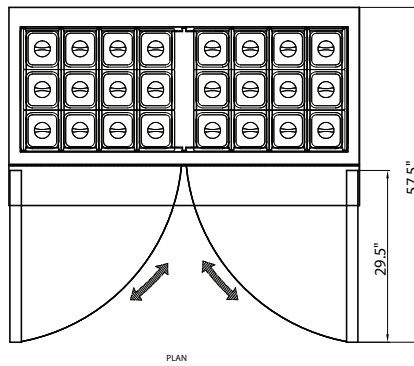
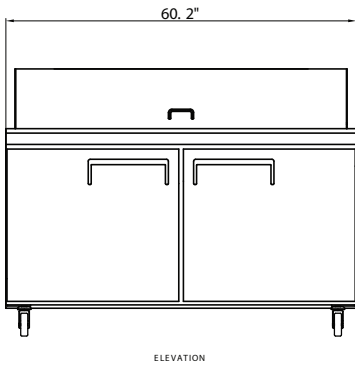
PLAN



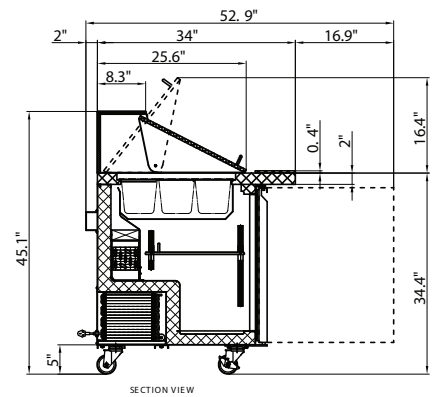
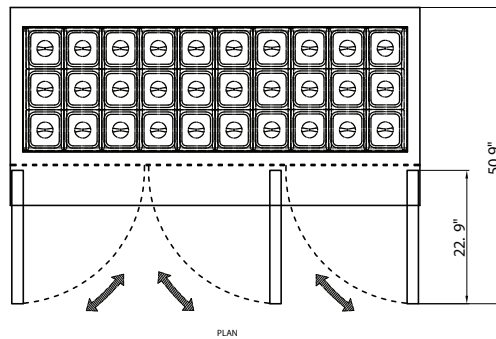
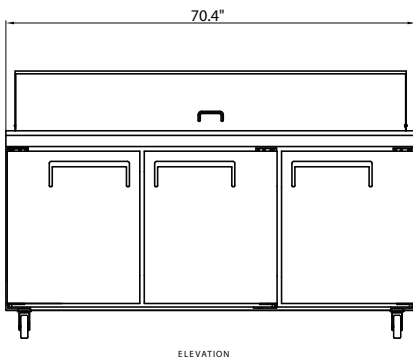
SECTION VIEW

# SANDWICH/SALAD PREP TABLE -MEGATOP

KIN60MSP-HC



KIN72MSP-HC



Model	Doors	Shelf	Exterior Dimensions (In)	Interior Dimensions (In)	Amps	Compressor Size (HP)	Shipping WT (Lbs)	Wheel
KIN29MSP-HC	1	1	27.5" x 34" x 45.1"	24.2" x 19.8" x 23.5"	3.6	3/7	293	4"
KIN36MSP-HC	2	1	36.2" x 34" x 45.1"	33" x 19.8" x 23.5"	4.3	3/7	306	4"
KIN48MSP-HC	2	1	46.8" x 34" x 45.1"	43" x 19.8" x 23.5"	4.9	1/2	372	4"
KIN60MSP-HC	2	1	60.2" x 34" x 45.1"	56.5" x 19.8" x 23.5"	5.4	1/2	411	4"
KIN72MSP-HC	3	1	70.4" x 34" x 45.1"	66.6" x 19.8" x 23.5"	7.8	4/5	473	4"