

UNDERCOUNTER REFRIGERATOR

KIN27UCR-HC KIN36UCR-HC
KIN48UCR-HC KIN60UCR-HC KIN72UCR-HC



KIN27UCR-HC



KIN36UCR-HC



KIN48UCR-HC



KIN60UCR-HC



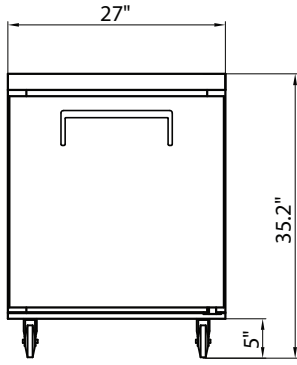
KIN72UCR-HC

FEATURES:

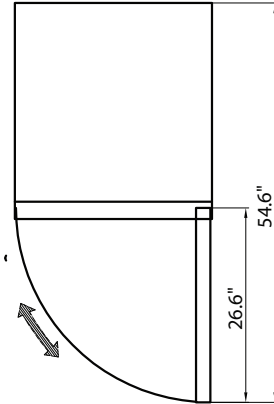
- R290 refrigerant and foam insulation
- Electronic thermostat and digital LED temperature display for accurate control and easy reading
- Easy to mount 4" casters (lockable in front) are standard with all units
- Self-closing doors that remain open at 90 degrees
- Magnetic gasket can be replaced without any tools
- Adjustable, heavy-duty epoxy coated wire shelves (one per door)
- Removable installation board makes it easy to access condenser coil for cleaning and service.
- Stainless steel framework construction
- Auto defrosting and auto evaporation of condensation water
- Exterior: 430 stainless steel, Interior: 201 stainless steel ,Interior floor: 304 stainless steel
- Temperature: 33 to 40°F / 0.5 to 4°C

UNDERCOUNTER REFRIGERATOR

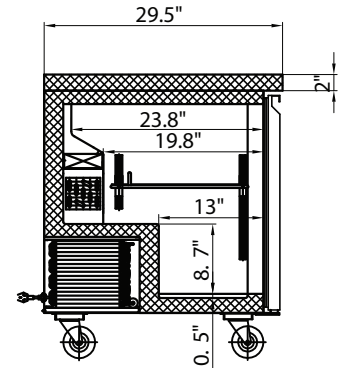
KIN27UCR-HC



ELEVATION

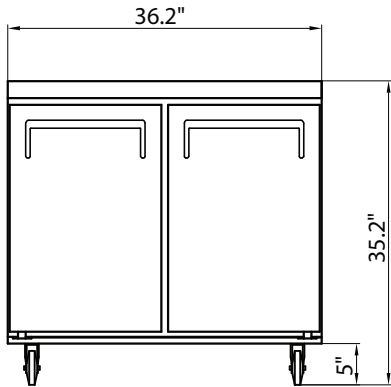


PLAN

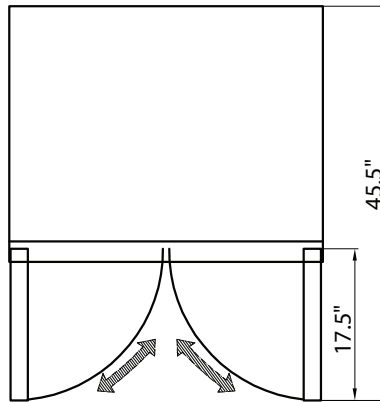


SECTION VIEW

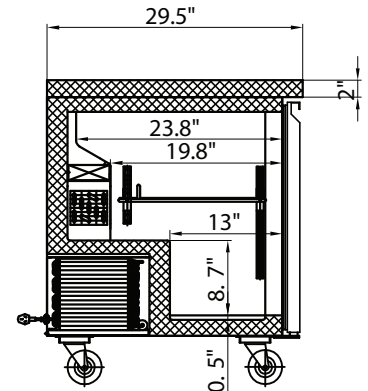
KIN36UCR-HC



ELEVATION

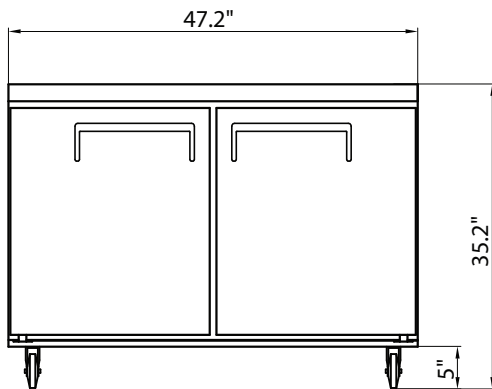


PLAN

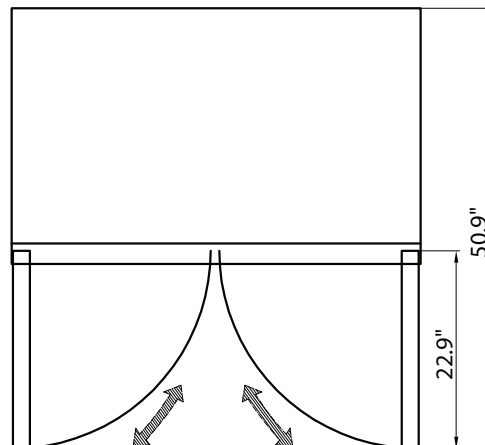


SECTION VIEW

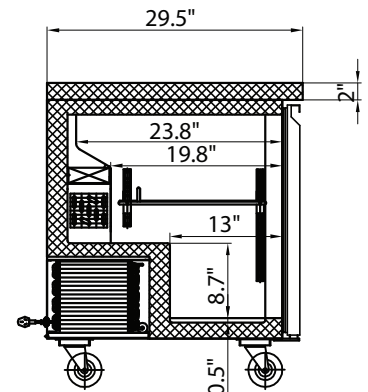
KIN48UCR-HC



ELEVATION



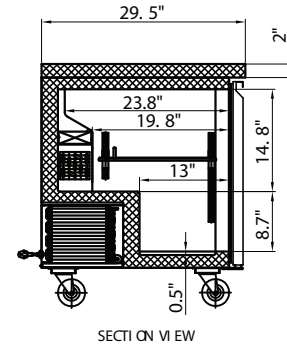
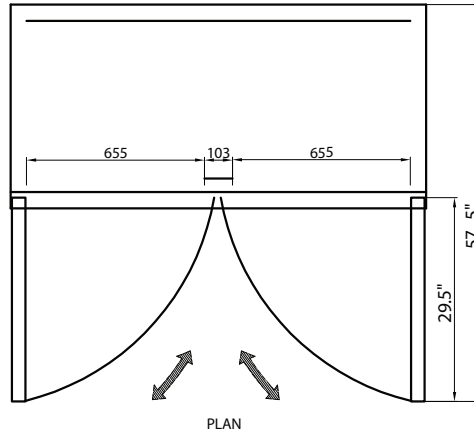
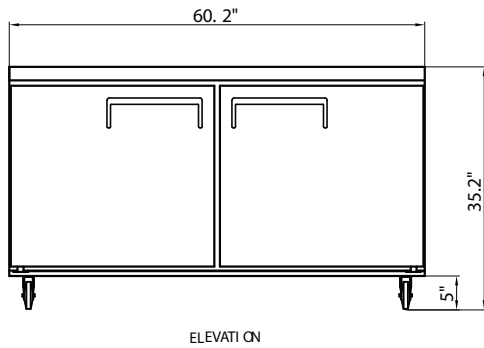
PLAN



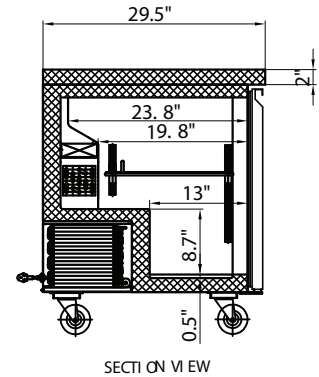
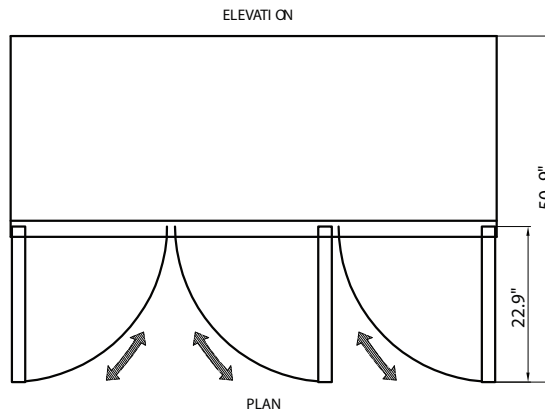
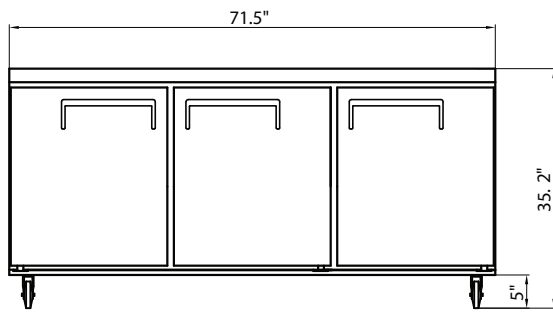
SECTION VIEW

UNDERCOUNTER REFRIGERATOR

KIN60UCR-HC



KIN72UCR-HC



Model	Doors	Shelf	Exterior Dimensions (In)	Interior Dimensions (In)	Amps	Compressor Size (HP)	Shipping WT (Lbs)	Wheel
KIN27UCR-HC	1	1	27" x 29.5" x 35.2"	22.4" x 19.8" x 23.5"	2.2	1/3	174	4"
KIN36UCR-HC	2	1	36.2" x 29.5" x 35.2"	33" x 19.8" x 23.5"	2.3	1/3	216	4"
KIN48UCR-HC	2	1	47.2" x 29.5" x 35.2"	42.6" x 19.8" x 23.5"	2.4	1/3	262	4"
KIN60UCR-HC	2	1	60.2" x 29.5" x 35.2"	55.6" x 19.8" x 23.5"	2.6	1/3	304	4"
KIN72UCR-HC	3	1	71.5" x 29.5" x 35.2"	66.9" x 19.8" x 23.5"	2.7	1/3	383	4"