



Specification

HPC7101-S9DF8(TD)

Insulated Heater Proofer Pass-Through

- ◆ Designed for proofing and heating.
- ◆ Four doors design reduce the loss of Heat and energy saving in cost.
- ◆ All digital display and controls.
- ◆ Machined Zinc Alloy handle
- ◆ Adjustable thermostat for a variety of warming temperatures.
- ◆ Holding temperature up to 185 F.
- ◆ Water pan provides moisture for proofing
- ◆ Humidity up to 95%(under 90F)
- ◆ Total pan capacity is thirty-one full size pan(18" x 26")
- ◆ High quality 5" casters, two with safety-lock
- ◆ Aluminum cabinet.
- ◆ Stainless steel solid door

Note: Dimensions and Specification are Subject to change without notice.



Intertek
CONFORMS TO NSF/ANSI 4

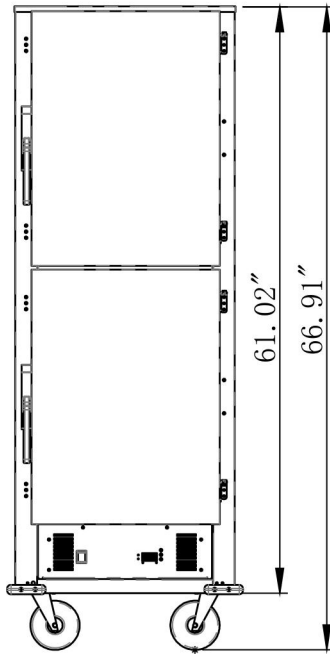
This full-size Heater Proofer cabinet can hold up to 31 18" x 26" full size pans, as well as a variety of others. Offering the ability to proof a variety of baked goods, allowing dough to rise before baking. All digital temperature controls with easy set up. Enables a variety of temperatures, including warming. Designed with enduring quality in mind.

Dimensions and Specifications

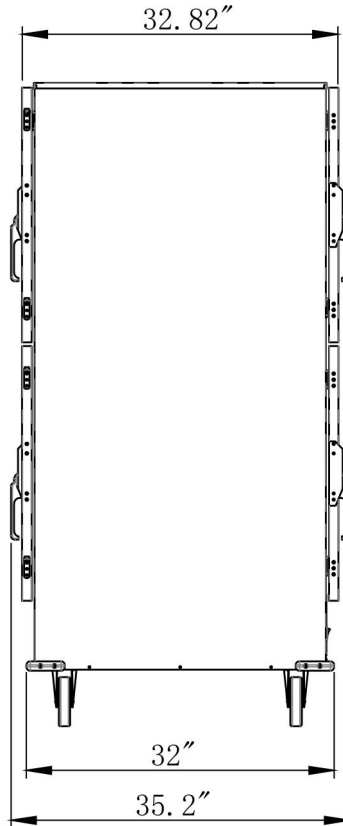
HPC7101-S9DF8(TD) Pass-Through



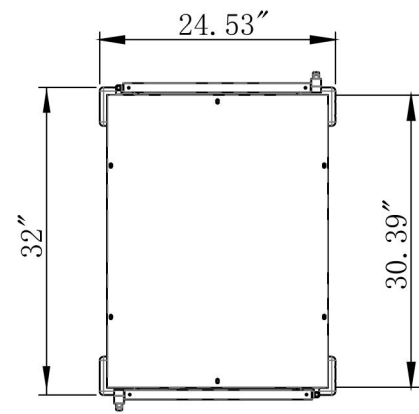
Front View



Side View



Top View



Pan Capacity	31 story, 18"x26" sheets
Electrical	120 volts
Power	1500 watts
Net weight	230 lbs.
Gross shipping weight	261 lbs.
Class	100
Dimensions	24.53"W X 35.2" D X 66.91" H
Package	25" W X 36" D X 68" H
Warranty	1Year Manufactures limited Warranty