

UNDERCOUNTER FREEZER

KIN27UCF-HC KIN36UCF-HC
KIN48UCF-HC KIN60UCF-HC KIN72UCF-HC



KIN27UCF-HC



KIN36UCF-HC



KIN48UCF-HC



KIN60UCF-HC



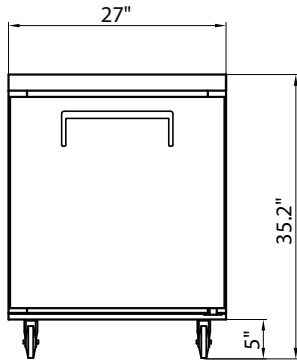
KIN72UCF-HC

FEATURES:

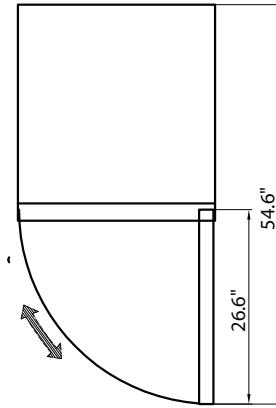
- R290 refrigerant and foam insulation
- Electronic thermostat and digital LED temperature display for accurate control and easy reading
- Easy to mount 4" casters (lockable in front) are standard with all units
- Self-closing doors that remain open at 90 degrees
- Magnetic gasket can be replaced without any tools
- Adjustable, heavy-duty epoxy coated wire shelves (one per door)
- Removable installation board makes it easy to access condenser coil for cleaning and service.
- Stainless steel framework construction
- Auto defrosting and auto evaporation of condensation water
- Exterior: 430 stainless steel, Interior: 201 stainless steel ,Interior floor: 304 stainless steel
- Temperature: -8°F and 0°F (-22 °C to -18 °C).

UNDERCOUNTER FREEZER

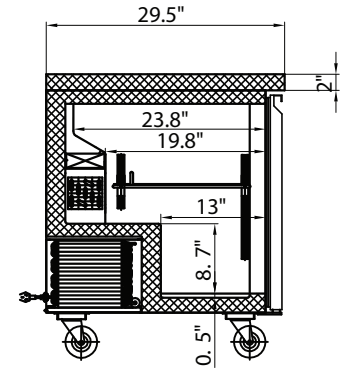
KIN27UCF-HC



ELEVATI QN

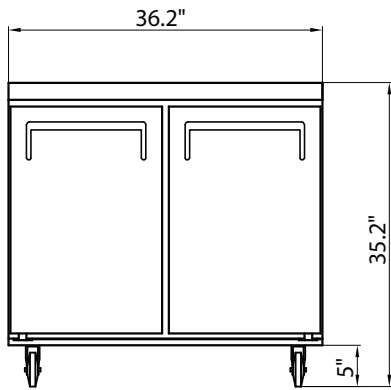


PLAN

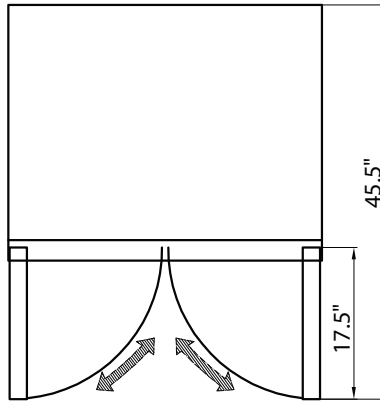


SECTI QN VI EW

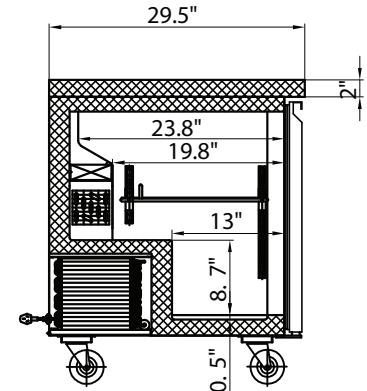
KIN36UCF-HC



ELEVATI QN

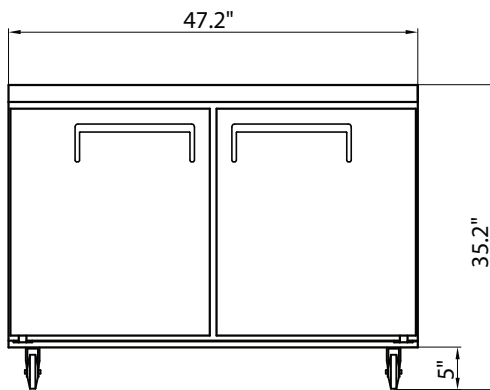


PLAN

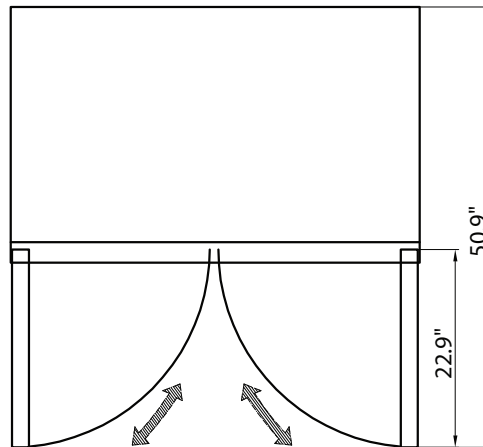


SECTI QN VI EW

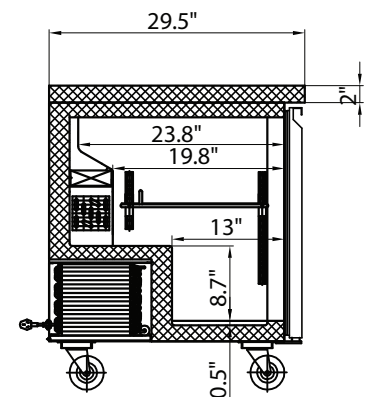
KIN48UCF-HC



ELEVATI QN



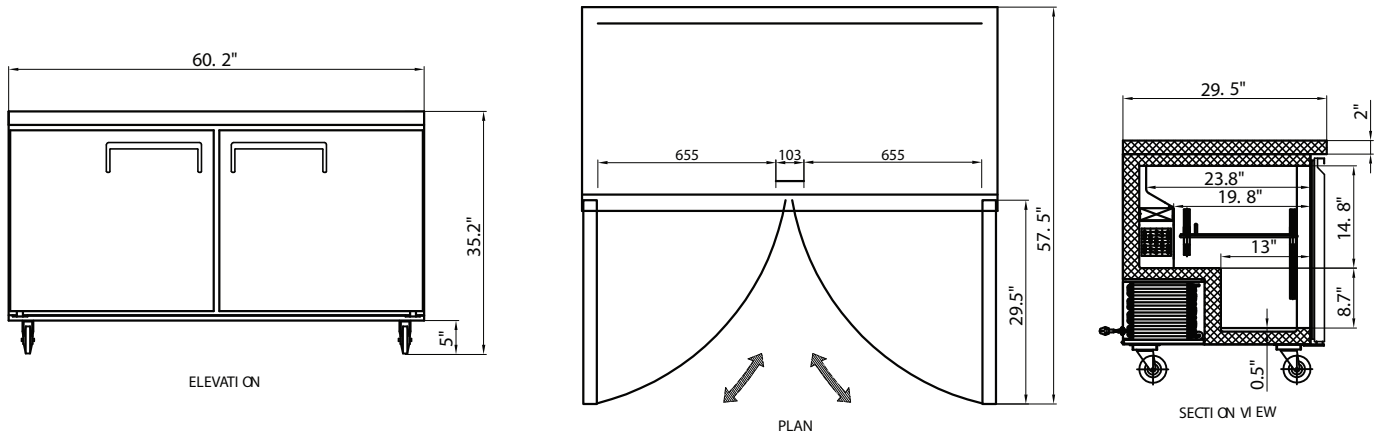
PLAN



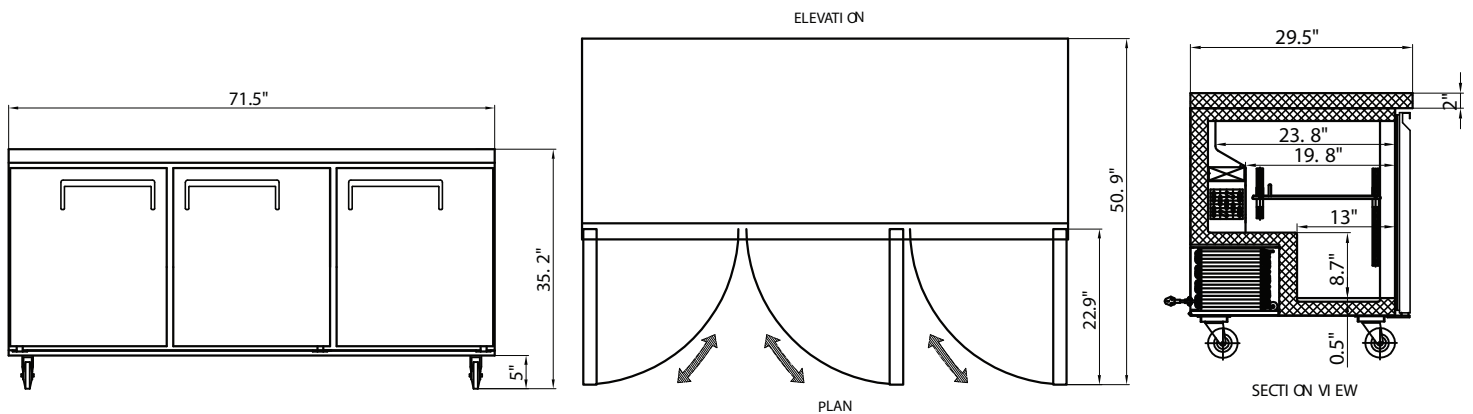
SECTI QN VI EW

UNDERCOUNTER FREEZER

KIN60UCF-HC



KIN72UCF-HC



Model	Doors	Shelf	Exterior Dimensions (In)	Interior Dimensions (In)	Amps	Compressor Size (HP)	Shipping WT (Lbs)	Wheel
KIN27UCF-HC	1	1	27" x 29.5" x 35.2"	22.4" x 19.8" x 23.5"	3.6	3/7	176	4"
KIN36UCF-HC	2	1	36.2" x 29.5" x 35.2"	33" x 19.8" x 23.5"	4.1	1/2	218	4"
KIN48UCF-HC	2	1	47.2" x 29.5" x 35.2"	42.6" x 19.8" x 23.5"	4.5	1/2	266	4"
KIN60UCF-HC	2	1	60.2" x 29.5" x 35.2"	55.6" x 19.8" x 23.5"	4.5	2/3	308	4"
KIN72UCF-HC	3	1	71.5" x 29.5" x 35.2"	66.9" x 19.8" x 23.5"	4.5	1	389	4"