



USA - 2026

Catalog

Ovens, accessories
and consumables

PRÁTICA
USA

Welcome to *Prática*



Prática, founded in 1991, offers cutting-edge equipment for the food preparation market, including an extensive product portfolio in the category of speed ovens. With over 700 employees, including 55 in Research & Development in its fully operational 250,000 sq ft factory located in Minas Gerais, Brazil, where it is the market leader. Additionally, the company has a strong presence in the international market, with branches in the United States, Europe and Chile, and exports its products to more than 50 countries.

At Prática, our purpose is to help our customers prepare high-quality food without waste. We understand the crucial role we play in the chain that begins with fields and crops and ends with providing prepared food to people. With our state-of-the-art technology and integrated product solutions, as well as pre-and post-sales support networks, we truly improve our customers' operations in quality food preparation, productivity, and profitability.

A well-aligned team, driven by strong values and a positive vision for the future, is propelling Prática towards an increasingly prominent position in the world.



Purpose

The purpose of Prática is to help its customers **prepare quality food without waste.**

This purpose, which is also a commitment, unfolds into three complementary dimensions: well-being, productivity, and preservation. It is important for all of us at Prática to understand that by working well and fulfilling our purpose, we can help bring well-being to people, development opportunities for our customers, and, in addition, do our part in helping preserve our home: planet Earth.

Quality food
without waste.



Vision

To be a world-class company with global impact, recognized for excellence in service, products, operations, and management.

Values



COMPETITIVENESS



DEDICATION TO
THE CUSTOMER



RESPECT



AGILITY



COMMITMENT



PROACTIVITY



WILLINGNESS
TO IMPROVE



INNOVATION



SPIRIT OF
COLLABORATION



HONESTY AND
INTEGRITY

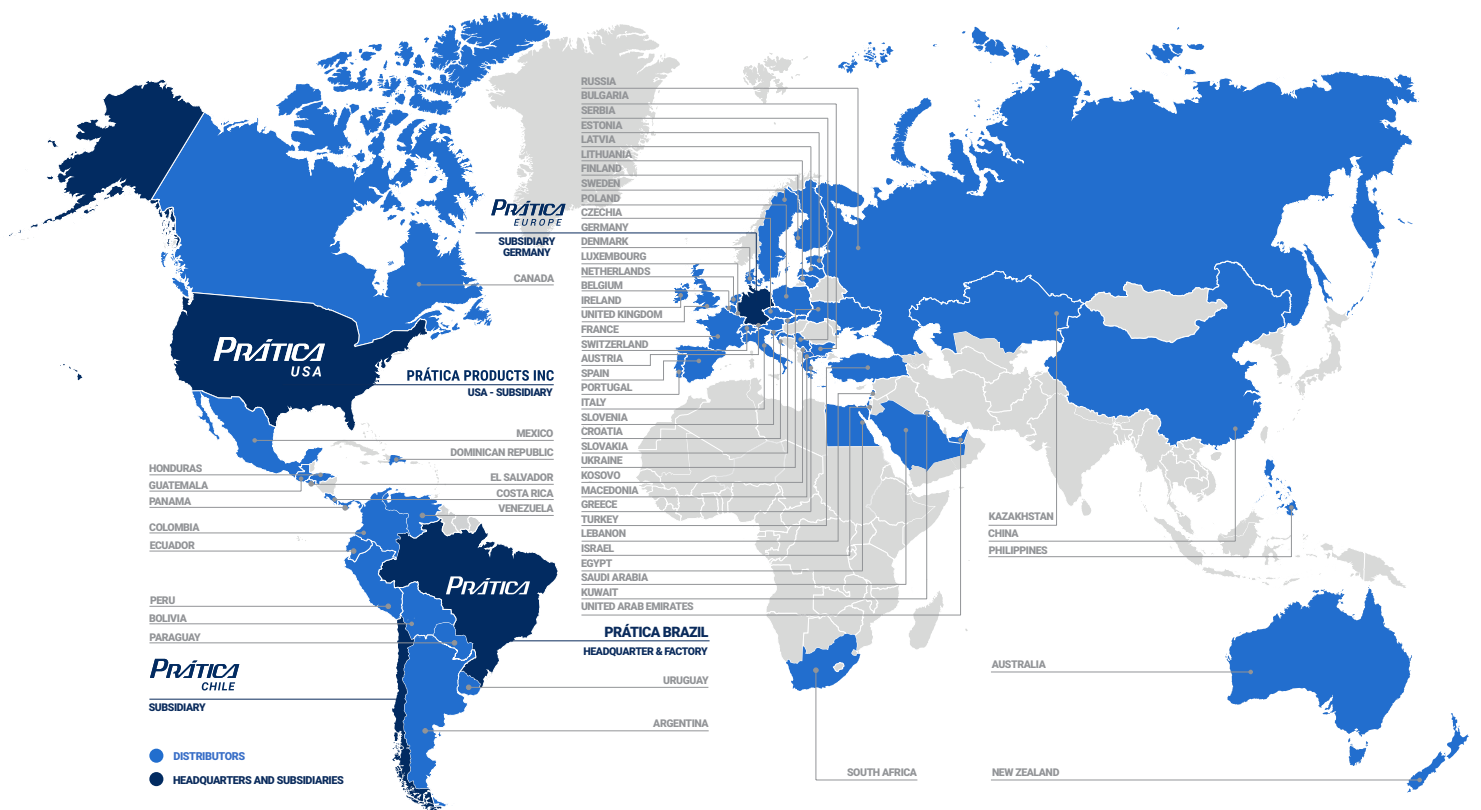


AUSTERITY



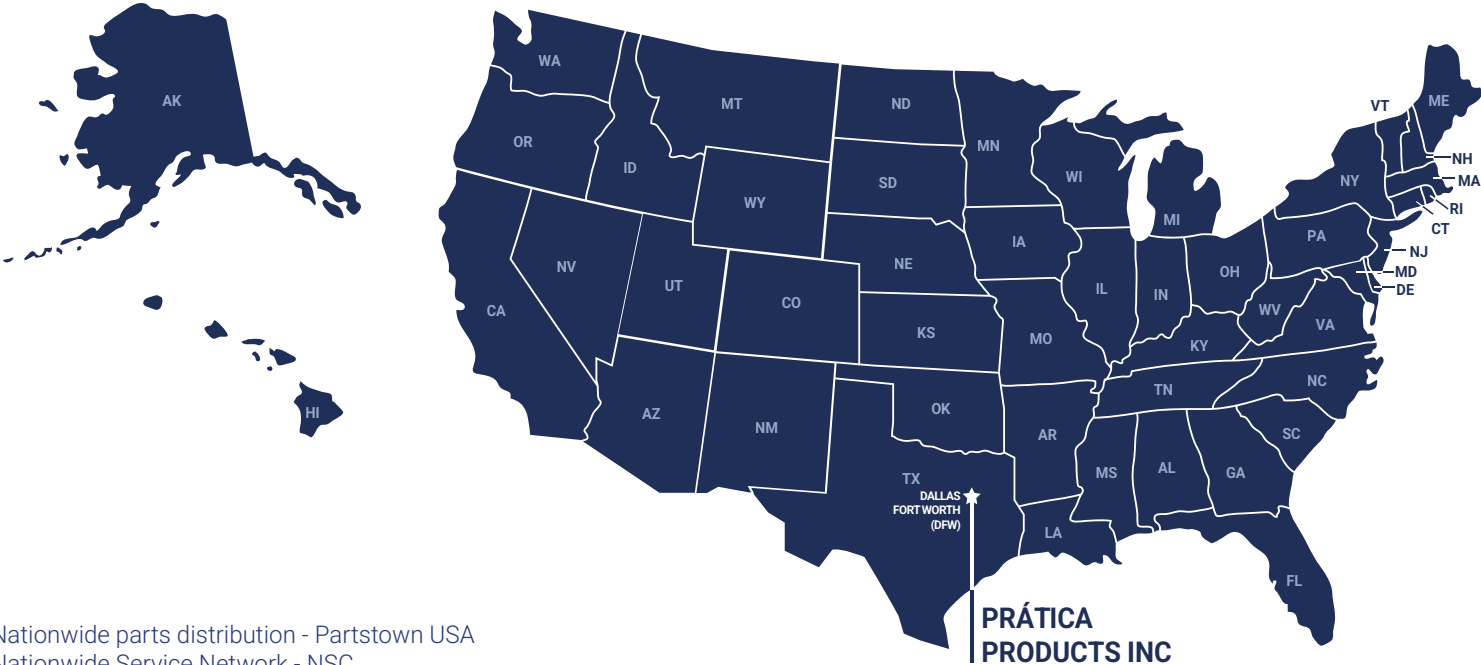
GRATITUDE

Present in over 60 countries



 Zoom in to get a better view.

Coverage in all 50 states



- * Nationwide parts distribution - Partstown USA
- * Nationwide Service Network - NSC
- * Nationwide Sales coverage by independent sales representatives

 Zoom in to get a better view.

Index

8 Fit Express

10 Fit SM

12 Fit XL

14 Fit ST

18 Forza STi

22 Rocket Express

27 Technology

33 Accessories

38 Warranty

39 Terms and
Conditions



Speed Ovens

Prática's speed ovens are ultra-fast, high-performing ovens used for preparing and finishing, fresh, refrigerated, or frozen foods. Each use results in excellent appearance, crunchiness, and taste.

With cutting edge technology, the ovens work with multiple heat sources, such as, impinged hot air, microwave, and direct radiation. They are equipped with a ventless system through an easily removable catalytic converter and requires no extraction hood for operation, making it easy to clean and maintain.

With a friendly touchscreen interface, Prática speed ovens have easy operation and quick preparations and are ideal for service with agility and quality.





Fit Line

Fit Express

The Fit Express high-speed oven is designed to efficiently finish refrigerated, fresh, or frozen foods, such as breakfast sandwiches, chicken wings, muffins, lasagnas, mac & cheese, sub sandwiches, and other partially prepared dishes. It delivers excellent flavor, appearance, and crispiness. The combination of impinged air and microwaves allows for heating, browning, or toasting foods faster than traditional methods.

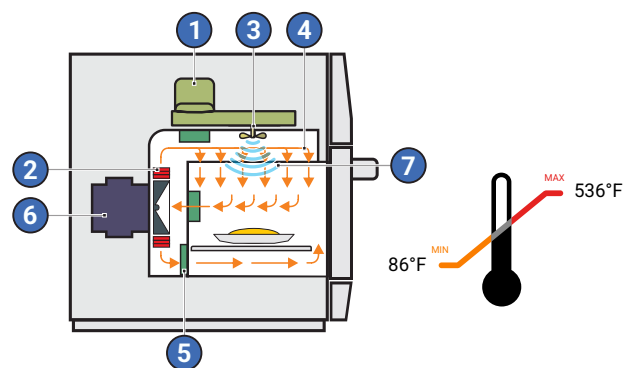


Colors

Fit Express Black
SKU: 990136

Fit Express Orange
SKU: 990145

- ✔ Fits on 15.2" width countertops and cooks 12" pizzas.
- ✔ **User interface:** full-color user-friendly touchscreen display. Drag and drop features.
- ✔ **IOK:** Create, edit, and organize groups, recipes, and complete menus directly on the oven or from your computer using Wi-Fi or USB Flash Drive and send them to all connected ovens.
- ✔ **Multi-language system:** Portuguese, English, Spanish, French, German, Polish, Russian, Mandarin, Greek.
- ✔ **Ventless:** no hoods needed.
- ✔ The **removable catalytic converter** allows operators to perform the cleaning without the need for a maintenance service call.
- ✔ **Secures consistent results:** through precise control, even heat distribution, rapid cooking, built-in sensors, and customization options, ensuring uniform and efficient cooking for reliable outcomes.
- ✔ **Independently adjust** microwave power, temperature, and impinged air while programming recipes on the oven.
- ✔ **No side vents,** allowing zero side clearance.
- ✔ **Elegant & Intuitive:** Stores unlimited recipes, with their own steps, settings, icons, or photos.
- ✔ **Temperatures up to 536°F:** The impinged air convection technology combined with microwave capabilities enables users to cook food faster than when using traditional processes.
- ✔ **Heat insulation:** prevents the surrounding area from heating up and keeps the surface cool to the touch.



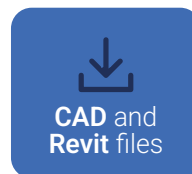
- 1. Magnetron
- 2. Resistance (infrared)
- 3. Stirrer
- 4. Impinged Air
- 5. Catalytic Converter
- 6. Blower Motor
- 7. Microwaves

Cook Times

Chicken Wings Bone-In	3 min 30 sec
Ham & Cheese Panini	55 sec
Mozzarella Sticks	1 min 45 sec
Italian Sub	55 sec
Breakfast Biscuit	1 min 30 sec



CERTIFIED
VENTLESS
WITH EASILY REMOVABLE CATALYTIC CONVERTER.



Standard accessories

BUILT-IN Speed Grill	Aluminum Paddle	Cleaning Kit	USB Flash Drive	Solid Basket	Perforated Basket Wide Mesh
--------------------------------	-----------------	--------------	-----------------	--------------	-----------------------------

1 year warranty for parts and labor, with the exception of naturally worn items.

Fit Expres Double Mag

Region	Voltage (V)	Phases	Freq. (Hz)	Power (kW)	Circuit breaker (A)	Cable	Socket	Product dimensions (Height x Width x Depth)	Boxed product dimensions (Height x Width x Depth)	Chamber dimensions (Height x Width x Depth)	Clearance (Left Back Right side)
USA Canada	208 240	Single	60	6.2 7.0	30	3x10 AWG		25.9 x 15.2 x 27.3 (") 157.1 lbs.	33.4 x 20.1 x 35.4 (") 202.1 lbs.	5.2 x 12.4 x 12.1 (") 0.45 cu.ft	0" / 0" / 0"

BACK TO MENU



Fit Line Fit SM Single mag

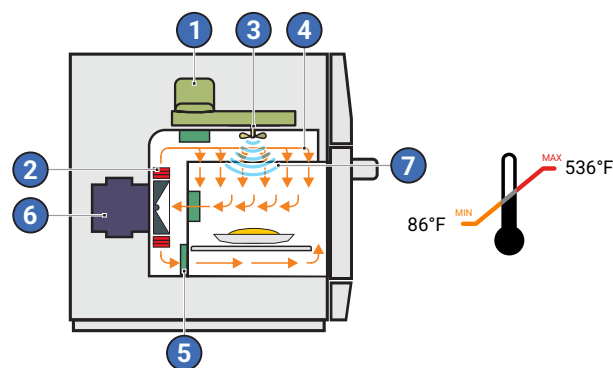
The Fit Single Mag high-speed oven is designed to efficiently finish refrigerated, or fresh food items, such as breakfast sandwiches, pizzas, sub sandwiches, pastries and more! It delivers excellent flavor, appearance, and crispiness. The combination of impinging air and microwaves allows for heating, browning, or toasting foods faster than traditional methods. The Fit SM is not recommended for frozen food.



Colors

Fit SM Silver
SKU: 990170

- ✔ **Ideal for fresh or refrigerated food items.** Not recommended for frozen food.
- ✔ **Energy efficient:** It is designed to be energy-efficient, so you save money on electricity comparing to other models.
- ✔ Fits on 15.2" width countertops and cooks 12" pizzas and sandwiches.
- ✔ **User interface:** full-color user-friendly touchscreen display. Drag and drop features.
- ✔ **IOK:** Create, edit, and organize groups, recipes, and complete menus directly on the oven or from your computer using Wi-Fi or USB Flash Drive and send them to all connected ovens.
- ✔ **Ventless:** no hoods needed.
- ✔ The **removable catalytic converter** allows operators to perform the cleaning without the need for a maintenance service call.
- ✔ **Independently adjust** microwave power, temperature, and impinged air while programming recipes on the oven.
- ✔ **No side vents,** allowing zero side clearance.
- ✔ **Elegant & Intuitive:** Stores unlimited recipes, with their own steps, settings, icons, or photos.
- ✔ **Temperatures up to 536°F:** The impinged air convection technology combined with microwave capabilities enables users to cook food faster than when using traditional processes.
- ✔ **Heat insulation:** prevents the surrounding area from heating up and keeps the surface cool to the touch.



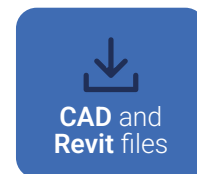
- 1. Magnetron
- 2. Resistance (infrared)
- 3. Stirrer
- 4. Impinged Air
- 5. Catalytic Converter
- 6. Blower Motor
- 7. Microwaves

Cook Times

Pastries	25 sec
Sub Sandwiches	40 sec
Breakfast Sandwiches	2 min
Paninis	1 min 10 sec



CERTIFIED
VENTLESS
WITH EASILY REMOVABLE
CATALYTIC CONVERTER.



Standard accessories

BUILT-IN 					
Speed Grill	Aluminum Paddle	Cleaning Kit	USB Flash Drive	Solid Basket	Perforated Basket Wide Mesh

1 year warranty for parts and labor, with the exception of naturally worn items.

Fit SM Single Mag

Region	Voltage (V)	Phases	Freq. (Hz)	Power (kW)	Circuit Breaker (A)	Cable	Socket	Product dimensions (Height x Width x Depth)	Boxed product dimensions (Height x Width x Depth)	Chamber dimensions (Height x Width x Depth)	Clearance (Left Back Right side)
USA	208 240	Single	60	2.7 3.1	15	3x14 AWG	 NEMA 6-15	24.4 x 15.2 x 27.3 (") 136.6 lbs.	33.4 x 20.1 x 35.4 (") 181.6 lbs.	5.2 x 12.4 x 12.1 (") 0.45 cu.ft	0" / 0" / 0"



Fit Line **Fit XL**

The Fit XL high-speed oven features a 16-inch chamber and is designed to efficiently finish refrigerated, fresh, or frozen foods, such as breakfast sandwiches, chicken wings, muffins, lasagnas, mac & cheese, sub sandwiches, and other partially prepared dishes. Capable of handling larger portions, it is ideal for medium and large businesses. The FIT XL delivers excellent flavor, appearance, and crispiness. By combining impinged air and microwaves, it heats, browns, and toasts foods faster than traditional methods.



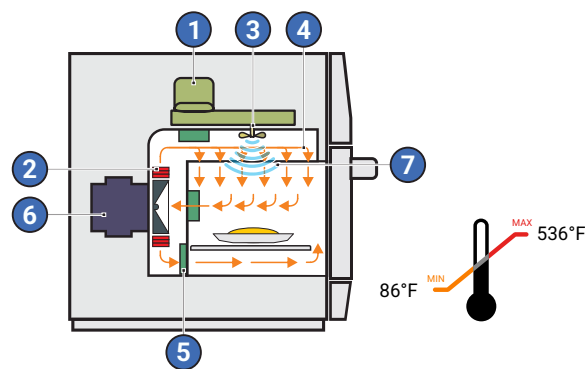
Colors

Fit XL Black
SKU: 990200

Fit XL Silver
SKU: 990179

 BACK TO MENU

- ❖ 16-inch chamber.
- ❖ Capable of handling larger portions, it is ideal for medium and large businesses.
- ❖ Stores **unlimited recipes** with up to 8 steps each, divided into 16 groups.
- ❖ **USB port** for system updates and importing/exporting groups, recipes, and settings.
- ❖ **Wi-Fi capabilities**, enabling remote management for system updates and importing/exporting groups, recipes, and settings via the IOK online platform.
- ❖ **Adjustable temperature** from 86°F (30°C) to 536°F (280°C).
- ❖ **Independent control** of impinged air (high-speed air blast) and microwaves.
- ❖ **User-friendly touchscreen panel.**
- ❖ Constructed from **stainless steel.**
- ❖ **Certified Ventless** – no need for vent hoods. Easy-to-remove catalytic converter for hassle-free cleaning.
- ❖ **Additional functionalities:** Test Mode and Favorites.
- ❖ Daily cleaning guide with explanatory **videos displayed on the screen**, demonstrating the step-by-step process.
- ❖ **Warranty:** one (1) year covering manufacturer defects, part failures, and pre-approved labor, and two (2) years on all the heating elements, magnetrons, and blower motor of the oven.



- 1. Magnetron
- 2. Resistance (infrared)
- 3. Stirrer
- 4. Impinged Air
- 5. Catalytic Converter
- 6. Blower Motor
- 7. Microwaves

Cook Times

16" Frozen Pizza	3 min 30 sec
3 Sub Sandwiches 16"	50 sec
6 Paninis	1 min 30 sec
5.5 lb Frozen Chicken Wings	5 min
2 lb Frozen Fries	4 min 30 sec



CERTIFIED
VENTLESS
 WITH EASILY REMOVABLE CATALYTIC CONVERTER.

Click to learn more

Click to watch the video

CAD and Revit files

Standard accessories

BUILT-IN					
Speed Grill Fit XL	Aluminum Paddle	Cleaning Kit	USB Flash Drive	Solid Basket	Perforated Basket Wide Mesh

Fit XL											
Region	Voltage (V)	Phases	Freq. (Hz)	Power (kW)	Circuit Breaker (A)	Cable	Socket	Product dimensions (Height x Width x Depth)	Boxed product dimensions (Height x Width x Depth)	Chamber dimensions (Height x Width x Depth)	Clearance (Left back right side)
USA Canada	208 240	Single	60	6.2 7.0	30	3x10 AWG	 NEMA 6-30	25.9x19.2x31.3 (") 180.8 lbs.	35.6x23.2x37.8 (") 227 lbs	5.5x16.4x16.1 (") 0.83 cu.ft	0" / 0" / 0"

BACK TO MENU



Fit Line **Fit ST** Stackable

The Fit ST high-speed oven features a 12-inch chamber and can be stacked up to two units high. It is designed to efficiently finish refrigerated, fresh, or frozen foods, such as breakfast sandwiches, chicken wings, muffins, lasagnas, mac & cheese, sub sandwiches, and other partially prepared dishes. Ideal for any business size, the oven delivers excellent flavor, appearance, and crispiness. By combining impinged air and microwaves, it heats, browns, and toasts foods faster than traditional methods.



Colors

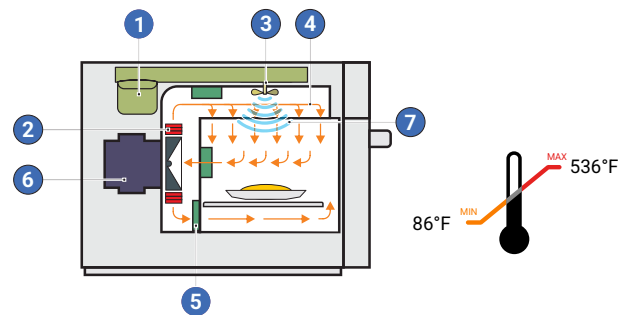
Fit ST Black
SKU: 990188

Fit ST Black
Double Stacked
SKU: 990188-DBL

Fit ST Silver
SKU: 990163

Fit ST Black
Double Stacked
SKU: 990163-DBL

- The FIT ST can be stacked up to 2 units (1+1).
- Stores unlimited recipes with up to 8 steps each, divided into 16 groups.
- USB port for system updates and importing/exporting groups, recipes, and settings.
- Wi-Fi capabilities, enabling remote management for system updates and importing/exporting groups, recipes, and settings via the IOK online platform.
- Adjustable temperature from 86°F (30°C) to 536°F (280°C).
- Independent control of impinged air (high-speed air blast) and microwaves.
- User-friendly touchscreen panel.
- Constructed from stainless steel.
- Certified Ventless – no need for vent hoods. Easy-to-remove catalytic converter for hassle-free cleaning.
- Additional functionalities: Test Mode and Favorites.
- Daily cleaning guide with explanatory videos displayed on the screen, demonstrating the step-by-step process.
- Warranty: one (1) year covering manufacturer defects, part failures, and pre-approved labor, and two (2) years on all the heating elements, magnetrons, and blower motor of the oven.



1. Magnetron
2. Resistance (infrared)
3. Stirrer
4. Impinged Air
5. Catalytic Converter
6. Blower Motor
7. Microwaves

Cook Times

Burrito	1 min
8 OZ Frozen Chicken Wings	3 min 30 sec
Ham & Cheese Panini	1 min 15 sec
3 Corn Dogs	1 min 30 sec
Tater Tots	3 min



CERTIFIED

VENTLESS

WITH EASILY REMOVABLE CATALYTIC CONVERTER.



Standard accessories

BUILT-IN Speed Grill	Aluminum Paddle	Cleaning Kit	USB Flash Drive	Solid Basket	Perforated Basket Wide Mesh
--------------------------------	-----------------	--------------	-----------------	--------------	-----------------------------

Fit ST											
Region	Voltage (V)	Phases	Freq. (Hz)	Power (kW)	Circuit Breaker (A)	Cable	Socket	Product dimensions (Height x Width x Depth)	Boxed product dimensions (Height x Width x Depth)	Chamber dimensions (Height x Width x Depth)	Clearance (Left Back Right side)
USA / Canada	208 240	Single	60	6.2 7.0	30	3x10 AWG	 NEMA 6-30	16.7 x 20.4 x 27.4 (") 158.7 lbs.	28.4 x 24.4 x 32.5 (") 207.2 lbs.	5.2 x 12.4 x 12.1 (") 0.45 cu.ft	0" / 0" / 1"

A C C E S S O R Y

PANINI PRESS

FOR **FITST**, **FITSM** AND **FIT EXPRESS** USE ONLY

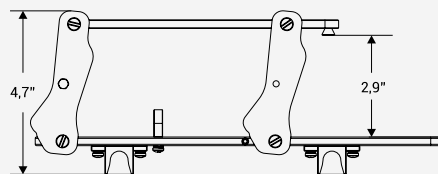
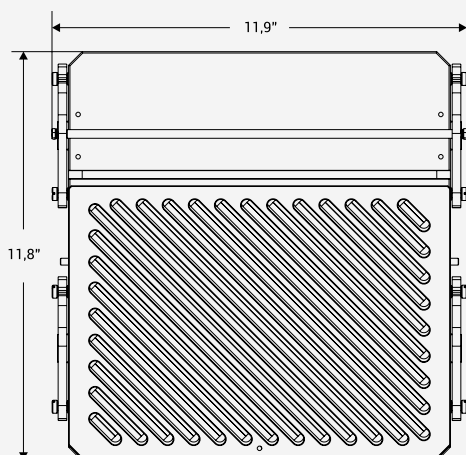


SKU: 800552

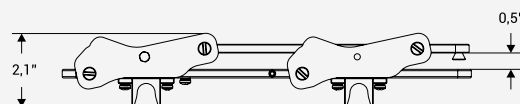


The Panini Press is an optional accessory for the FIT Line, ideal for making delicious sandwiches and paninis with grill marks.

- ❖ Specifically designed for use with the FIT Express, Fit SM, and Fit ST.
- ❖ It is constructed from aluminum and coated with a non-stick layer.
- ❖ Versatility: Accommodate a variety of foods with an opening range of 0.7" to 2.9" between the top and bottom grills.
- ❖ Create perfectly pressed, grill-marked paninis, melts, subs, burritos, quesadillas, and more.
- ❖ Easy Installation, Use, and Cleaning.
- ❖ Comes with an exclusive paddle for sliding food between the top and bottom plates, also ensuring safe opening and closing.
- ❖ It is possible to keep the panini press in the chamber, even when cooking other items without grill marks, by placing the basket on top of it.



OPEN



CLOSED



Click to learn more

*Not recommended for preparing meats



BACK TO MENU



Forza STi

Stackable

Designed to ensure swift and exceptional deliveries, even during peak demands, the Forza STi proves to be an ideal solution for QSR (Quick Service Restaurants) establishments, as well as pizzerias, bakeries, hotels, kiosks, and convenience stores. The production of pizzas, flatbreads, cookies, and more becomes even better with the Forza STi, ensuring superior appearance, flavor, and textures. The combination of impinged air and infrared radiation allows for heating, browning, or toasting foods faster than traditional methods.



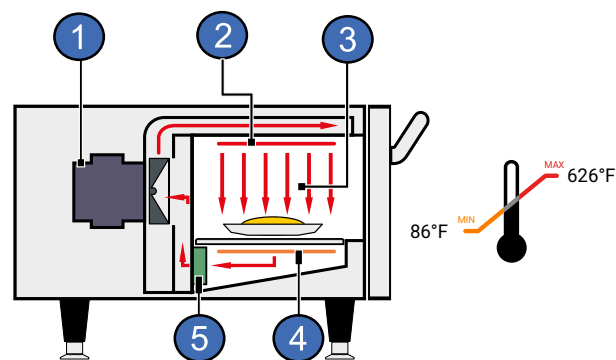
Two Possibilities:

Forza STi
Double Stacked
SKU: 990115-DBL

Forza STi
SKU: 990115



- ✓ Secures consistent results: through precise control, even heat distribution, rapid cooking, built-in sensors, and customization options, ensuring uniform and efficient cooking for reliable outcomes.
- ✓ Pizzas up to 16": fresh, or par-baked dough, thin or thick crust.
- ✓ Stackable: can be stacked up to two ovens.
- ✓ The Forza STi double consists of two units stacked, which means each cavity requires independent power and each cavity has its own independent controls, allowing the temperature to be set individually, up to 626°F each.
- ✓ Elegant & Intuitive: stores unlimited recipes, with their own steps, settings, icons, or photos.
- ✓ User interface: full-color user-friendly touchscreen display. Drag and drop features.
- ✓ Multi-language system: Portuguese, English, Spanish, French, German, Polish, Russian, Mandarin, Greek.
- ✓ IOK: Create, edit, and organize groups, recipes, and complete menus directly on the oven or from your computer using Wi-Fi or USB Flash Drive and send them to all connected ovens.
- ✓ Ventless: no hoods needed.
- ✓ The removable catalytic converter allows operators to perform the cleaning without the need for a maintenance service call.
- ✓ Heat insulation: prevents the surrounding area from heating up and keeps the surface cool to the touch.



- 1. Blower Motor
- 2. Impingement Heater
- 3. Impinged Air
- 4. IR heater
- 5. Catalytic Converter

Cook Times

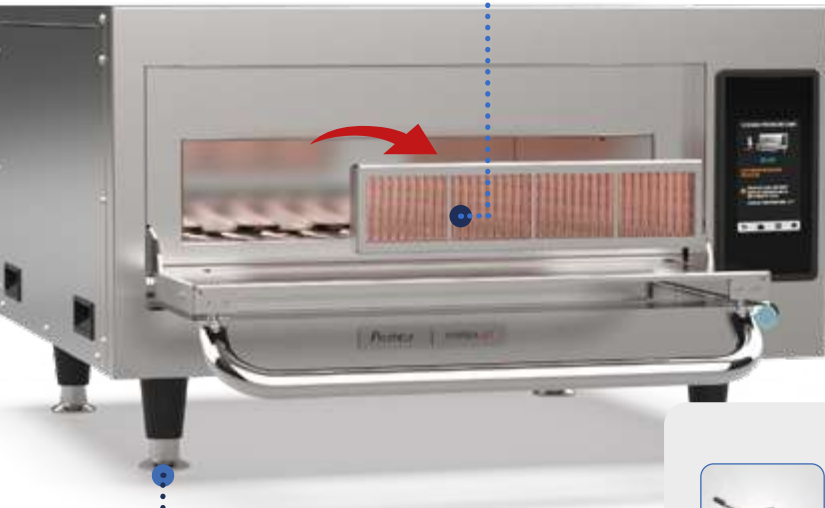
Bruschettas	45 sec
Toasted Sub Sandwich	55 sec
Fresh Dough 16" Pizza	3 min 30 sec
Half-size sheet pan of cookies	10 min
Flatbread Pizza	2 min 15 sec

Click to learn more

Click to watch the video

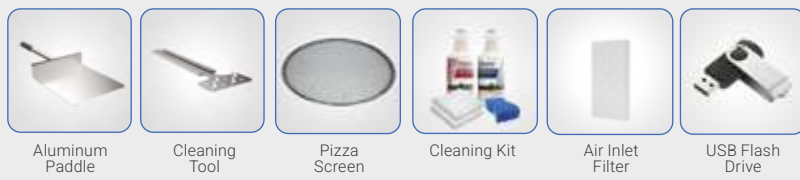
CAD and Revit files

CERTIFIED
VENTLESS
 WITH EASILY REMOVABLE CATALYTIC CONVERTER.



Optional adjustable feet

Standard accessories



1 year warranty for parts and labor, with the exception of naturally worn items.

Forza STi											
Region	Voltage (V)	Phases	Freq. (Hz)	Power (kW)	Circuit Breaker (A)	Cable	Socket	Product dimensions (Height x Width x Depth)	Boxed product dimensions (Height x Width x Depth)	Chamber dimensions (Height x Width x Depth)	Clearance (Left Back Right side)
USA	208 240	Single	60	5.6 7.2	30	3x10 AWG		Without feet 13.4 x 27.7 x 31 (") 148 lbs.	25.2 x 33.2 x 37.6 (") 209.4 lbs.	3.6 x 18.1 x 17.1 (") 0.65 cu.ft	0" / 0" / 1"
								With feet 17.4 x 27.7 x 31 (") 148 lbs.			

FORZA STi





Small footprint

13.3 x 27.7 x 31
height x width x depth (")



Ventless technology

No need of hoods
for operation



Prepares 16" pizzas

In 3 min 30 sec



**Temperatures
up to 626°F**

Separate controls for
temperature, and air
impingement, bottom
IR element of the chamber



**Double glass door
& lighted cavity**

See cooking
progress as the
oven is working



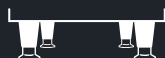
**Energy
efficient**

Low energy
consumption



Stainless steel

Exterior & interior



4-inch optional legs



Stackable

Can be stacked up to
two ovens high



Each cavity has its own controls

Can be used independent of the other





Rocket Express

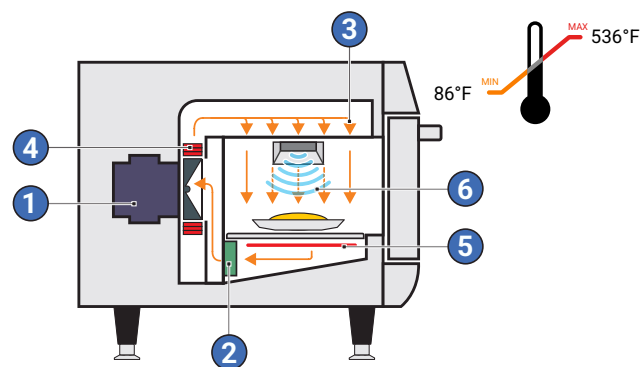
The Rocket Express high-speed oven is recommended to quickly finish refrigerated, fresh, or frozen foods, like breakfast sandwiches, chicken wings, muffins, lasagnas, mac & cheese, sub sandwiches, and other partially prepared foods, yielding excellent flavor, appearance, and crisp results.

The combination of impinged air, microwaves, and infrared radiation allows for heating, browning, or toasting foods faster than traditional methods. Ideal for larger portions. Its spacious 14-inch chamber provides ample room for cooking larger quantities of food, making it well-suited for situations requiring higher capacity.



Rocket Express
SKU: 990043

- ✔ User interface: full-color user-friendly touchscreen display. Drag and drop features.
- ✔ Stores unlimited recipes with up to 8 steps each, divided into 16 groups.
- ✔ USB port for system updates and importing/exporting groups, recipes, and settings.
- ✔ Wi-Fi capabilities, enabling remote management for system updates and importing/exporting groups, recipes, and settings via the IOK online platform.
- ✔ Adjustable temperature from 86°F (30°C) to 536°F (280°C).
- ✔ Independent control of impinging air (highspeed air blast), microwaves, and infrared radiation.
- ✔ Heat insulation: prevents the surrounding area from heating up and keeps the surface cool to the touch.
- ✔ Certified Ventless – no need for vent hoods.
- ✔ The removable catalytic converter allows operators to perform the cleaning without the need for a maintenance service call.
- ✔ Built-in fixed feet.
- ✔ Constructed from stainless steel.
- ✔ Additional functionalities: Test Mode and Favorites.
- ✔ Daily cleaning guide with explanatory videos displayed on the screen, demonstrating the step-by-step process.



- 1. Blower Motor
- 2. Catalytic Converter
- 3. Impinging Air
- 4. Impingement Heater
- 5. IR Heater
- 6. Microwaves

Cook Times

Roasted Brussels Sprouts	2 min 30 sec
French Bread	1 min 30 sec
8" toasted sub	30 sec
Chicken Wings	3 min 30 sec
Chicken Quesadilla	1 min 15 sec

CERTIFIED
VENTLESS
WITH EASILY REMOVABLE
CATALYTIC CONVERTER.



Click to learn more

Click to watch the video

CAD and Revit files

Standard accessories

- Speed Grill
- Aluminum Paddle
- Cleaning Kit
- USB Flash Drive
- Solid Basket

1 year warranty for parts and labor, with the exception of naturally worn items.

Rocket Express											
Region	Voltage (V)	Phases	Freq. (Hz)	Power (kW)	Circuit Breaker (A)	Cable	Socket	Product dimensions (Height x Width x Depth)	Boxed product dimensions (Height x Width x Depth)	Chamber dimensions (Height x Width x Depth)	Clearance (Left Back Right side)
USA	208 240	Single	60	6.2 7.2	30	3x10 AWG	 NEMA 6-30	25x20.9 x 31.7 (") 194 lbs.	34 x 25.2 x 36.2 (") 250 lbs.	5.7 x 15.5 x 14.2 (") 0.74 cu.ft	0" / 0" / 0"

BACK TO MENU



[↶](#)
BACK TO MENU



Contact us!

Test your own products.

Schedule a demo session and test your products. Get in touch with us today and let's embark on a culinary adventure that'll leave your customers craving more.

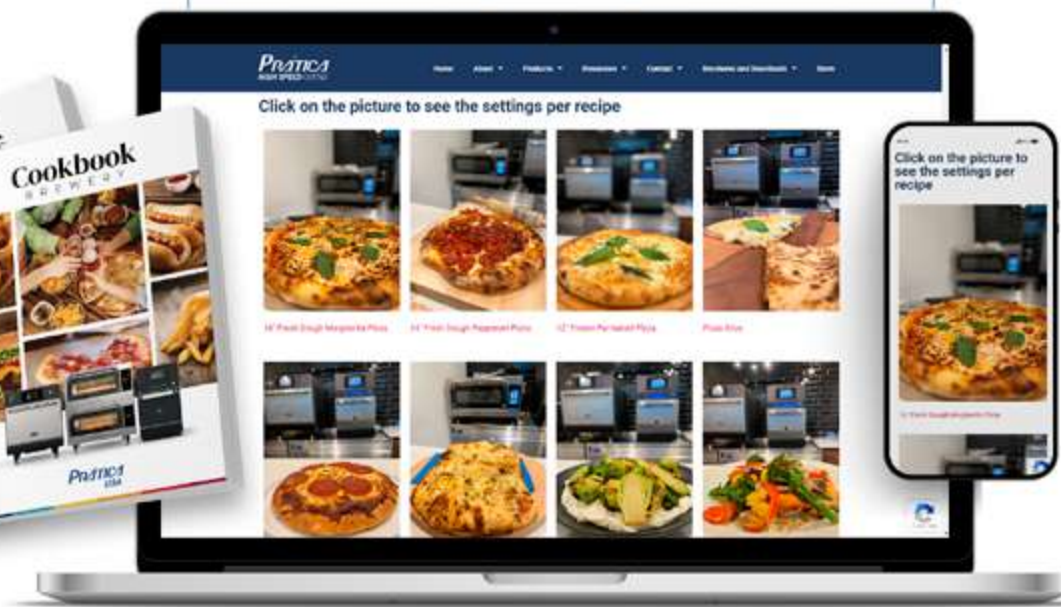
It's time to take your establishment
To the next level – we've got your back!

E-mail info@praticausa.com
or phone **+1 214-584-6269**



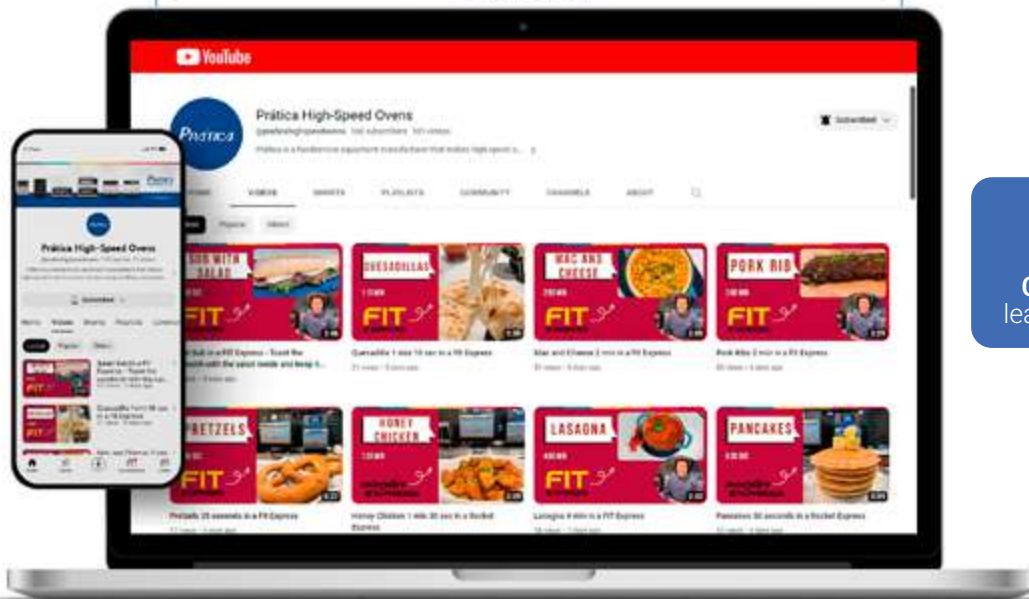
Check our
Cookbooks
 online!

Website




 Click to
 learn more

YouTube




 Click to
 learn more


 BACK TO MENU

Get it Ready in 2 taps!



Full color **user-friendly** touchscreen display



Elegant and **Intuitive**

Our ovens store unlimited recipes, with their own steps, settings, icons, or photos.

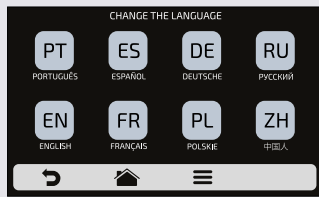
Simple and **Optimized**

A fresh spin on providing a great user interface while simplifying the basic oven operations for the end user.

Features



Wi-Fi connectivity



Multi-language system
(Portuguese, English, Spanish, French, German, Polish, Russian, Mandarin, Greek)



Photo library for recipes



Cleaning guide video with instructions

User-friendly Features

Available in all Prática's high-speed oven models.



Removable Catalytic converter

Easy access and removal of the catalytic converter.



Removable Air Filter

Designed for simple cleaning and maintenance.



BACK TO MENU

Minimal Clearance

Advance cooling design eliminates side vents and louvers allowing minimal to zero side clearance.



i
Rear clearances are automatically set with factory-installed bumpers.



CERTIFIED

VENTLESS

No hoods needed for operation!

The Catalytic Converter turns grease-laden vapor into water, allowing the oven to operate with no need for exhaust hoods.*

The Catalytic Converter is removable, allowing operators to perform the cleaning without the need for a maintenance service call.

All Prática's high-speed ovens have been tested and passed EPA202, allowing them to be certified as non-grease emitting appliances.

*The high-speed ovens can't be used to cook foods classified as 'raw fatty proteins', such as bone-in, skin-on chicken, raw bacon, raw hamburger, etc. Trying to do so can damage the catalytic converter.



BACK TO MENU



PRÁTICA'S SMART HIGH-SPEED OVENS THE FUTURE OF COOKING

IOK is your all-in-one system for smarter kitchen management. It keeps your ovens aligned, your menus consistent, and your business ready to grow—whether you operate one store or many.



**MANAGE GROUPS
AND RECIPES FROM
YOUR COMPUTER**

Create, edit, remove, and distribute groups and recipes from the computer to all compatible ovens.



**CUSTOMIZE THE
DISPLAY IMAGE OF
RECIPES**

Illustrate recipes with real images of your products.



**RECEIVE SOFTWARE
UPDATES**

Always count on system improvements for free, from small adjustments to major updates (such as a new interface or function, for example).

PRÁTICA IOK USES YOUR WI-FI TO ALLOW FOR SEAMLESS MANAGEMENT OF EQUIPMENT ACROSS MULTIPLE LOCATIONS

Standardize your production and keep track of your ovens even when you are out of your kitchen.



All our touchscreen models come with Wi-Fi capabilities and can be connected to the IOK.



The IOK is 100% included with your oven purchase—no extra cost or monthly payments required.



With IOK, you can manage and monitor your equipment from anywhere, on any device—PC, Mac, mobile, or tablet.



Manage all your ovens and menus from one place—no need to handle them separately. Perfect for multi-oven locations and chains.



Create, edit and organize groups, recipes, and complete menus directly on the oven or from your computer and send to all connected ovens.



Customize the recipe icons with photos of your own dishes.



The IOK helps with the consistency of your recipe programming which allows your menu and recipes to be consistent from start to finish.



Update your ovens anytime, anywhere—Wi-Fi or USB.



Access the exclusive Cookbook with complete recipe suggestions created by Prática's Chefs.



Get customer support via chat using the IOK platform.



Click to
learn more



BACK TO MENU

Nothing cleans and protects like *Prática*

Cleaning Kits designed specifically for Prática High-Speed Ovens



Oven Cleaner

- ✔ Non-caustic, non-corrosive, and non-flammable
- ✔ Dissolves heavy soils, carbonized buildup, fat, oil, and grease.
- ✔ Use it in commercial kitchens to save time and labor.
- ✔ Excellent cleaning and degreasing power.
- ✔ Safe for use on aluminum.



Oven Protector

- ✔ Prevents carbonized buildup, fat, oil, and grease from sticking to oven walls.
- ✔ It makes oven cleaning easier, saving time and labor.
- ✔ Use it in commercial kitchens to keep ovens looking like new.
- ✔ Blend of all GRAS ingredients (GRAS - Generally Recognized As Safe by the FDA).



Cleaning Guides

FIT LINE



Watch the video guide!

FORZA STI



Watch the video guide!

ROCKET EXPRESS



Watch the video guide!



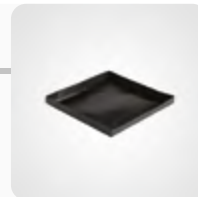
BACK TO MENU

Speed ovens Accessories

PRÁTICA

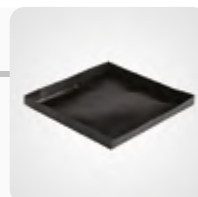
Solid Basket

SKU: 200201	200205
Measurements: 13.5" x 13.5" x 1"	11" x 11" x 1"
Compatibility: Rocket Express	Fit Express Fit SM Fit ST



Solid Basket Large

SKU: 200217
Measurements: 15" x 15" x 1"
Compatibility: Fit XL



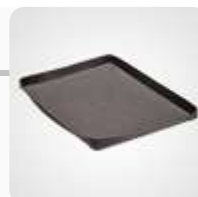
Perforated Basket

SKU: 200202	200211
Measurements: 13.5" x 14.5" x 1"	11" x 11" x 1"
Compatibility: Rocket Express	Fit Express Fit SM Fit ST



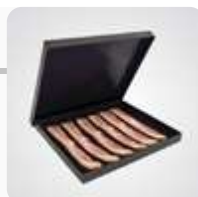
Perforated Basket Large

SKU: 200216
Measurements: 15" x 15" x 1"
Compatibility: Fit XL



Solid Basket with Cover (Black)

SKU: 200225
Measurements: 11" x 11" x 1"
Compatibility: Rocket Express | Fit Express | Fit SM | Fit ST | Fit XL | Forza STi



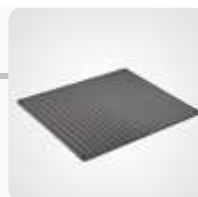
Solid Basket (Colors)

SKU: Red: 200223 | Green: 200224 | Purple: 200222
Measurements: 11" x 11" x 0.5"
Compatibility: Rocket Express | Fit Express | Fit SM | Fit ST | Fit XL | Forza STi



Speed Grill Large

SKU: 800558
Measurements: 16" x 16" x 1.38"
Compatibility: Fit XL



Speed Grill

SKU: 800504	800526
Measurements: 13" x 14" x 0.25"	12" x 12" x 0.25"
Compatibility: Rocket Express	Fit Express Fit SM Fit ST



BACK TO MENU

Speed ovens Accessories

Panini Press

SKU: 800552

Measurements: 11.8" x 11.9" x 2.4"

Compatibility: Fit Express | Fit SM | Fit ST



4-Cavity Nonstick Large Muffin Pan

SKU: 200221

Measurements: 9.25" x 9.25" x 1.25"

Compatibility: Rocket Express | Fit Express | Fit SM | Fit ST | Fit XL | Forza STi



6-Cavity Nonstick Large Muffin Pan

SKU: 200220

Measurements: 13.5" x 9.25" x 1.8"

Compatibility: Rocket Express | Fit Express | Fit SM | Fit ST | Fit XL | Forza STi



Steamer 3-Piece Cooking Pan Set

SKU: 200219

Measurements: 9.6" x 9.6" x 2.6"

Compatibility: Rocket Express | Fit Express | Fit SM | Fit ST | Fit XL | Forza STi



4-Cavity Nonstick Egg Pan

SKU: 200218

Measurements: 10" x 10" x 0.8"

Compatibility: Rocket Express | Fit Express | Fit SM | Fit ST | Fit XL | Forza STi



4-Mould Tray

SKU: 200228

Measurements: 11.02" x 11.41" x 0.7"

Compatibility: Fit Express / Fit SM

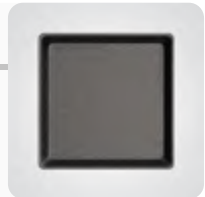


Square Pan

SKU: 200226

Measurements: 10.23" x 10.23" x 1.18"

Compatibility: Fit Express / Fit SM



Round Pan

SKU: 200227

Measurements: 7.48" x 1.57"

Compatibility: Fit Express / Fit SM



Speed ovens Accessories

Plier for pans

SKU: 200229
Measurements: 787"
Compatibility: 200226 and 200227



Wave Perforated Basket

SKU: 200210
Measurements: 10.125" x 10.125" x 1.75"
Compatibility: Fit Express | FIT SM | FIT ST | FIT XL | Rocket Express



Pizza Screen

SKU: 200602	200609
Measurements: 14"	16"
Compatibility: Forza STi	Forza STi



Aluminum Paddle

SKU: 800163	800507
Measurements: 12" x 13.5"	10" x 19"
Compatibility: Rocket Express	Fit Express Fit SM Fit ST



Aluminum Paddle Large

SKU: 800560
Measurements: 14.17" x 25"
Compatibility: Fit XL



Aluminum Paddle Forza STi

SKU: 200607
Measurements: 12" x 29.5"
Compatibility: Forza STi



Oven Rack

SKU: 753284
Measurements: 18" x 15"
Compatibility: Forza STi



Oven Rack

SKU: 760200
Measurements: 15" x 10"
Compatibility: Rocket Express



Speed ovens Accessories

Cleaning Tool

SKU: 618213
Measurements: 19" x 2"
Compatibility: Forza STi



Air Inlet Filter - Right Side

SKU: 753383
 Pack with 6
Compatibility: Forza STi



Catalytic Converter

SKU: 631712 | 760022
Compatibility: Rocket Express | Forza STi



Catalytic Converter

SKU: 634278
Compatibility: Fit Express | Fit SM | Fit ST



Prática Oven Protector

SKU: 200901 | 200901CS
 1 bottle | 6 bottles per case
Compatibility: Rocket Express | Fit Express | Fit SM | Fit ST | Fit XL | Forza STi



Prática Oven Cleaner

SKU: 200902 | 200902CS
 1 bottle | 6 bottles per case
Compatibility: Rocket Express | Fit Express | Fit SM | Fit ST | Fit XL | Forza STi



Dual Trigger Sprayer

SKU: 200903
Compatibility: Oven Cleaner and Oven Protector Bottles



Cleaning kit

SKU: 200907
 • 2 Dual-trigger sprayers
 • 1 Non-scratch Scrub Pad
 • 1 Prática Oven Cleaner
 • 2 Cleaning Towels
 • 1 Prática Oven Protector



Speed ovens Accessories

PRÁTICA

Easy Clean Liner

SKU: 200230 | 200231
1 Liner | Pack with 2
Compatibility: Fit Express | Fit ST | Fit SM



Stacking Cart

SKU: 200615
Dimensions: 28½" x 28½" x 39"
Compatibility: Fit Express | Rocket | Fit XL | Fit ST | Fit SM



The ideal accessories to
power up
your high-speed oven.


Click to shop
accessories
online!


BACK TO MENU

Price list



Warranty

Prática Products Inc. warranties all high-speed ovens for a period of one (1) year covering manufacturer defects, part failures, and pre-approved labor, and two (2) years on all the heating elements, magnetrons, and blower motor of the oven. The warranty period starts on the installation day.

The warranty excludes user abuse, ordinary wear, tear, and other conditions described in full in the product user's manual.

Freight and shipping

Prática Products Inc. provides the most economical ground transportation possible, consistent with guaranteed freight and minimal terminal switching. Any special request, as in residential delivery, lift gate, or phone appointment, will have an additional charge. Prática Products Inc. imposes no hidden mark-ups; all freight charges are passed through the customer at our cost.

Any missing product, loss, or damage in shipment must be reported to Prática Products Inc. and the delivery common carrier immediately on receipt of shipment, and noted on the delivery receipt.

Shipments should be inspected before accepting delivery; if any damage is noticed, shipment should be refused. Any concealed damage noticed within 2 days of accepting delivery should be reported by consignee to the common carrier. Freight claims are the responsibility of the cosigner.

For information on terms and conditions please click on following link.



Terms and conditions

All prices are quoted in \$ U.S. dollars and are subject to change without notice. State sales tax will be added to the invoice if resale tax certificate is not on file.

Terms are net 30-days upon approved and established credit. Prices are quoted F.O.B from our warehouse in Lewisville, TX. Prática Products Inc. reserves the right to review, accept, or reject all purchase orders.

Purchase orders are only considered valid after written acknowledgement is received by the customer.

Prática Products Inc. reserves the right to change or modify the design, specification and substitute materials in construction of any product manufactured without notice.

All product dimensions are nominal and are subject to change.

Return policy

Any missing product, loss, or damage in shipment must be reported to Prática Products Inc. and the delivery common carrier immediately on receipt of shipment, and noted on the delivery receipt.

Shipments should be inspected before accepting delivery; if any damage is noticed, shipment should be refused. Any concealed damage noticed within 2 days of accepting delivery should be reported by consignee to the common carrier. Freight claims are the responsibility of the cosigner.

Unless Prática agrees otherwise, specifically in writing, sales are final. Returns of products will not be accepted unless Prática has provided written authorization. Returns are subject to a 25% restocking fee of the total order.



The fastest way

to get your menu done!

PRÁTICA



BACK TO MENU





Prática Products, Inc. - USA

911 E State Hwy 121 Business, #101 - Lewisville, TX 75057

www.praticausa.com

 [praticausa](#)  [praticaus](#)  [praticausa](#)  [praticahighspeedovens](#)

 info@praticausa.com  +1 214-584-6269