



## Specification

### HPC7101-S9DS1(TD)

### Insulated Heater Proofer Pass-Through

- ◆ Designed for proofing and heating.
- ◆ Four doors design reduce the loss of Heat and energy saving in cost.
- ◆ All digital display and controls.
- ◆ Machined Zinc Alloy handle
- ◆ Adjustable thermostat for a variety of warming temperatures.
- ◆ Holding temperature up to 185 F.
- ◆ Water pan provides moisture for proofing
- ◆ Humidity up to 95%(under 90F)
- ◆ Adjustable rack system sixteen shelf/story position can add up to max 31 shelf/story.
- ◆ High quality 5” casters, two with safety-lock
- ◆ Aluminum cabinet.
- ◆ Stainless steel solid door.

Note: Dimensions and Specification are Subject to change without notice.



**Intertek**  
CONFORMS TO NSF/ANSI 4

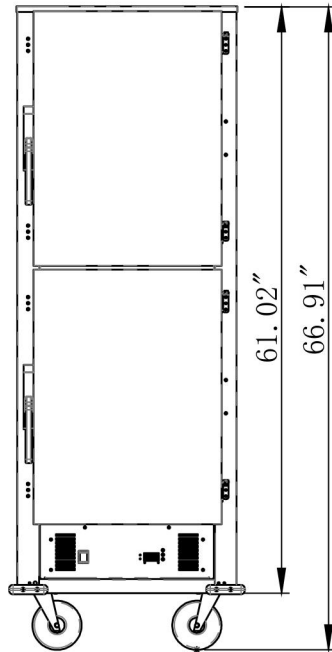
This full-size cabinet, offers an Adjustable Rack System, allows you the option to adjust the racks to fit your specific needs. It can hold a wide assortment of pan sizes including up to a 18” pizza box. Offering the ability to proof a variety of baked goods, allowing dough to rise before baking. All digital temperature controls with easy set up. Enables a variety of temperatures, including warming. Designed with enduring quality in mind.

# Dimensions and Specifications

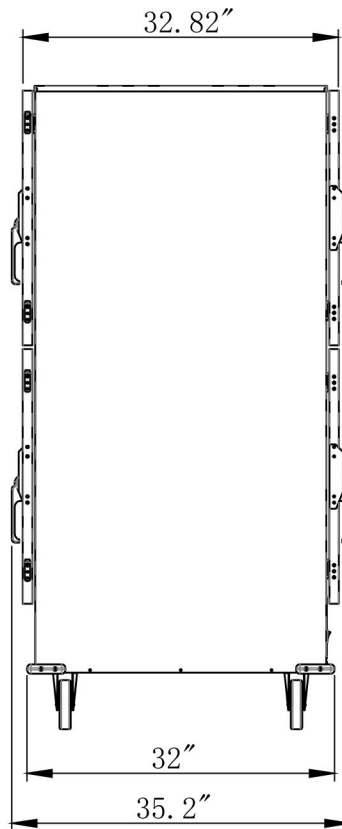
## HPC7101-S9DS1(TD) Pass-Through



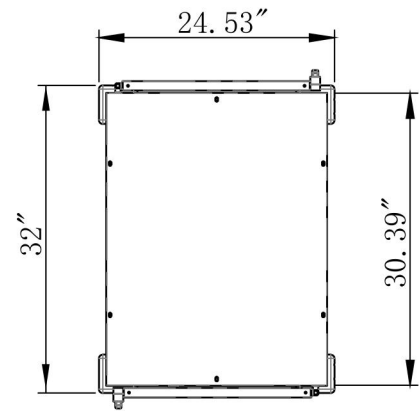
Front View



Side View



Top View



- Pan Capacity Adjustable Rack system  
Total 15 story, 18"x26", 20"x12", 13"x18" or 14"x18". will take up to 18" pizza box.  
Hotel steam pans as well.
- Electrical 120 volts
- Power 1500 watts
- Net weight 234 lbs.
- Gross shipping weight 265 lbs.
- Class 100
- Dimensions 24.53"W X 35.2" D X 66.91" H
- Package 25" W X 36" D X 68" H
- Warranty 1Year Manufactures limited Warranty