

WORKTOP FREEZER

KIN27WTF-HC KIN36WTF-HC
KIN48WTF-HC KIN60WTF-HC KIN72WTF-HC



KIN27WTF-HC



KIN36WTF-HC



KIN48WTF-HC



KIN60WTF-HC



KIN72WTF-HC

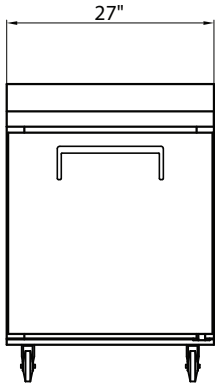
Worktop freezers provide a functional work surface utilizing a one-piece formed stainless backsplash with uniform product cooling.

FEATURES:

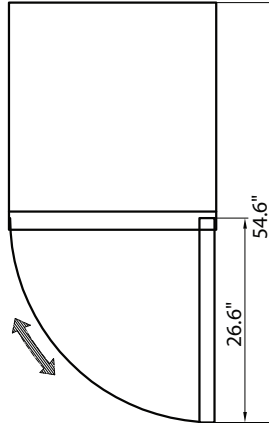
- R290 refrigerant and foam insulation
- Electronic thermostat and digital LED temperature display for accurate control and easy reading
- Easy to mount 4" casters (lockable in front) are standard with all units
- Self-closing doors that remain open at 90 degrees
- Magnetic gasket can be replaced without any tools
- Adjustable, heavy-duty epoxy coated wire shelves (one per door)
- Removable installation board makes it easy to access condenser coil for cleaning and service.
- Stainless steel framework construction
- Auto defrosting and auto evaporation of condensation water
- Exterior: 430 stainless steel, Interior: 201 stainless steel ,Interior floor: 304 stainless steel
- Temperature: -8°F and 0°F (-22 °C to -18 °C).

WORKTOP FREEZER

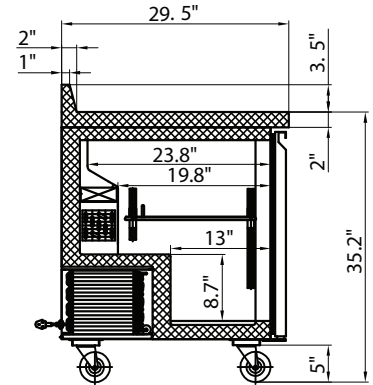
KIN27WTF-HC



ELEVATI ON

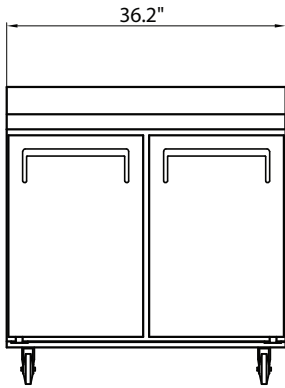


PLAN

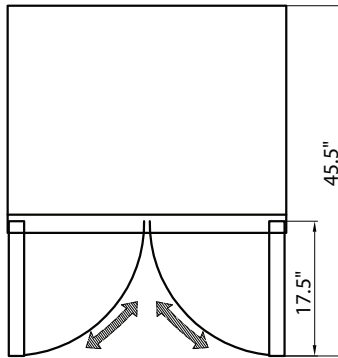


SECTI ON VI EW

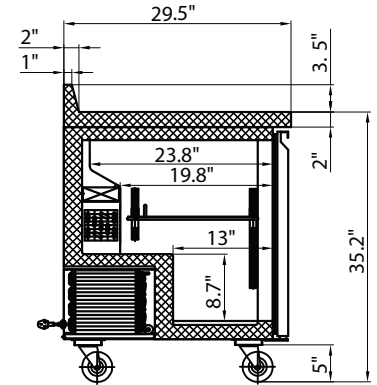
KIN36WTF-HC



ELEVATI ON

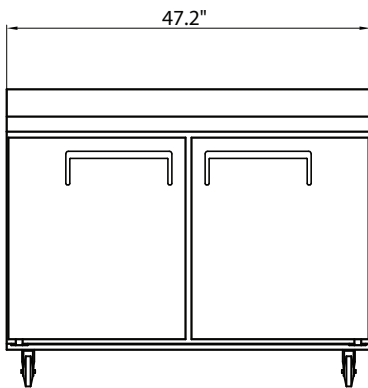


PLAN

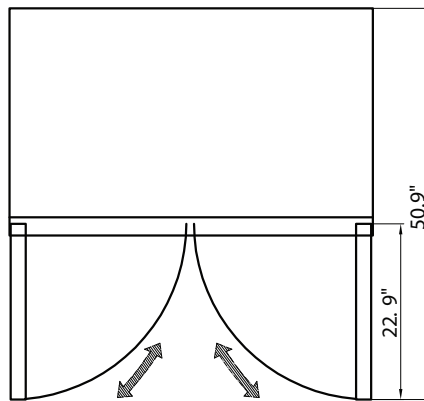


SECTI ON VI EW

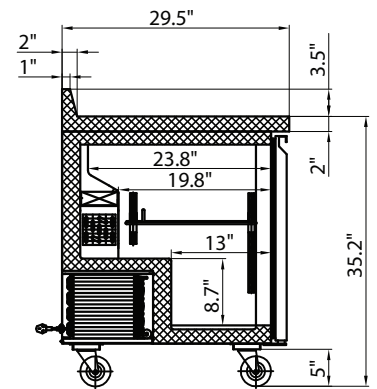
KIN48WTF-HC



ELEVATI ON



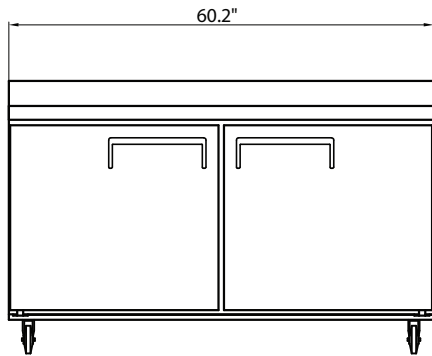
PLAN



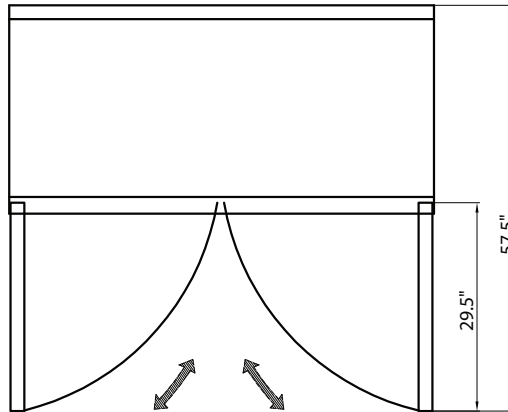
SECTI ON VI EW

WORKTOP FREEZER

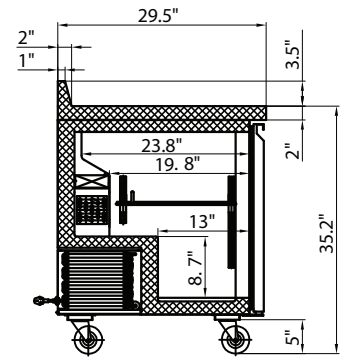
KIN60WTF-HC



ELEVATION

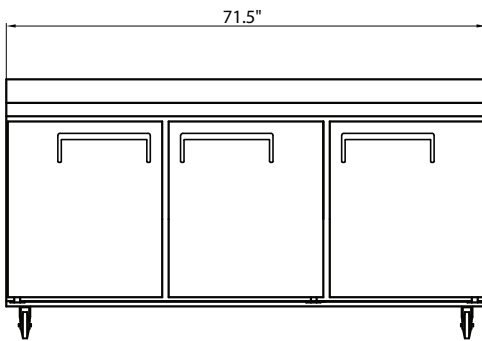


PLAN

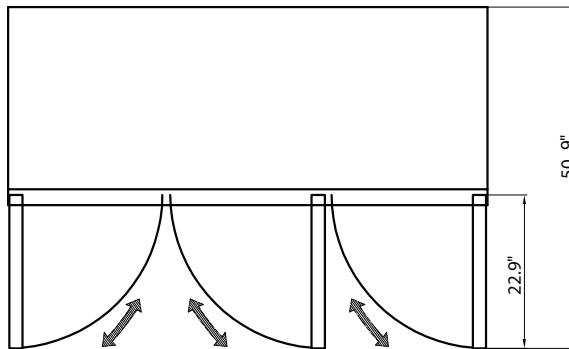


SECTION VIEW

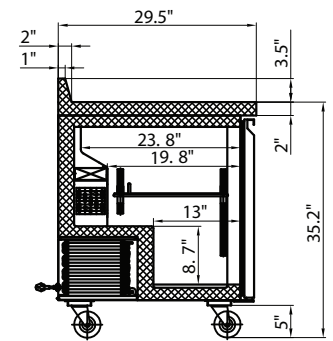
KIN72WTF-HC



ELEVATION



PLAN



SECTION VIEW

Model	Doors	Shelf	Exterior Dimensions (In)	Interior Dimensions (In)	Amps	Compressor Size (HP)	Shipping WT (Lbs)	Wheel
KIN27WTF-HC	1	1	27" x 29.5" x 38.7"	22.4" x 19.8" x 23.5"	3.6	3/7	196	4"
KIN36WTF-HC	2	1	36.2" x 29.5" x 38.7"	33" x 19.8" x 23.5"	4.1	1/2	238	4"
KIN48WTF-HC	2	1	47.2" x 29.5" x 38.7"	42.6" x 19.8" x 23.5"	4.5	1/2	290	4"
KIN60WTF-HC	2	1	60.2" x 29.5" x 38.7"	55.6" x 19.8" x 23.5"	4.5	2/3	341	4"
KIN72WTF-HC	3	1	71.5" x 29.5" x 38.7"	66.9" x 19.8" x 23.5"	4.5	1	431	4"