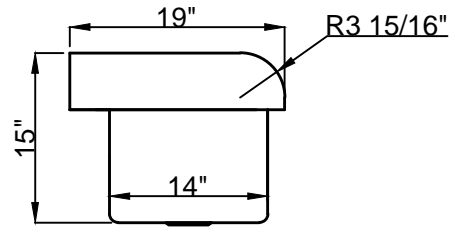
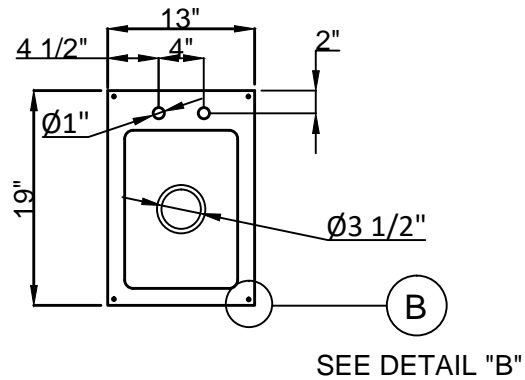


FRONT ELEVATION

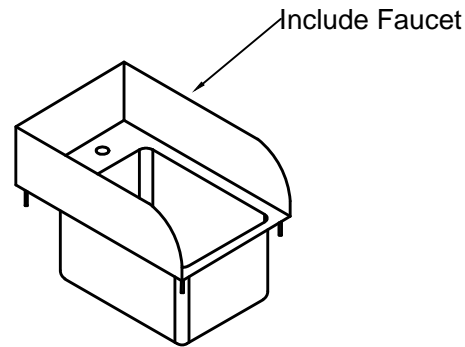


SIDE VIEW

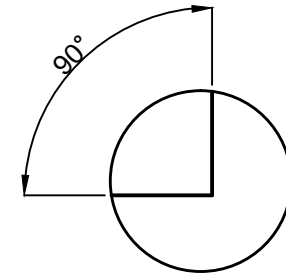
- TOP IS 16 GA. AND BOWL IS 18 GA. STAINLESS STEEL CONSTRUCTION.
- INCLUDE FAUCET.



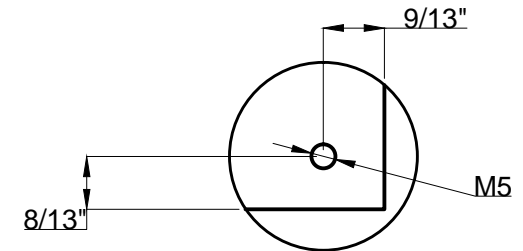
PLAN VIEW



ISOMETRIC



DETAIL "A"

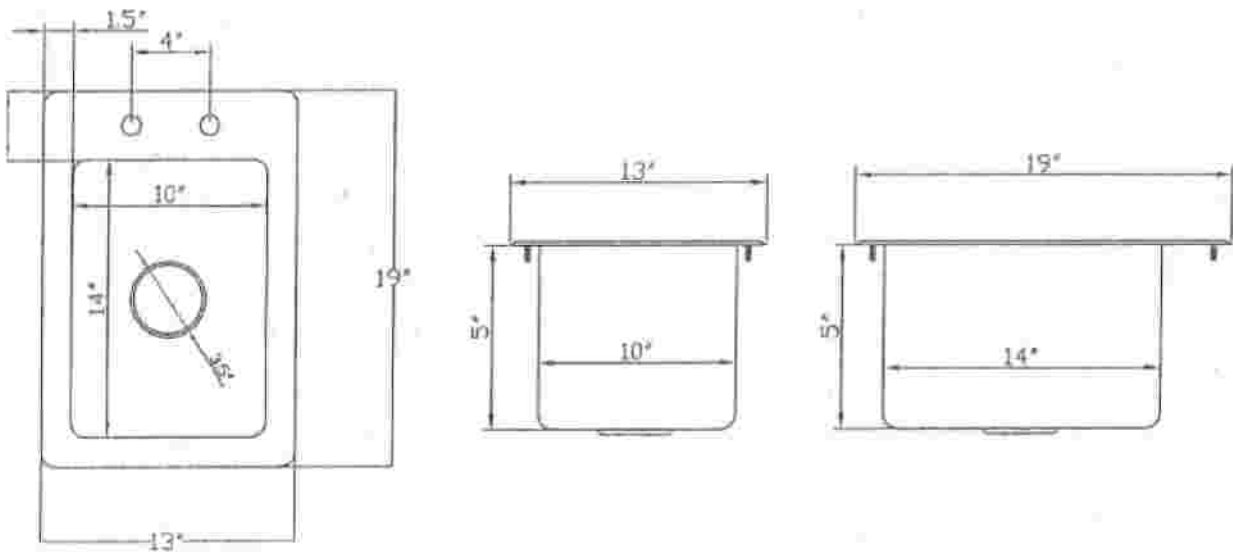


DETAIL "B"

DRAWIN FOR :	MAT.	TOP : 16GA. S/S. BASE : 18GA. S/S.	DATE	REVISIONS	<p>Tarrison Products Ltd.</p>
REF. NO :	REQ'D/ITEM :				
ITEM NAME : Drop In Sink	DATE : Oct / 26 / 2018				
PROD. NO. : TA-DIF1410SP	BY :				
SCALE: 1/2" = 1'-0"	CHECKED BY :				

Tarrison DI-14

Mounting instructions



Make Cutout in countertop using the above sink bowl dimensions. Next, drill holes to match the 4 corner studs.



Remove flanges from studs and drop sink into counter, carefully aligning each stud into the stud hole. Next, tighten flanges on studs for a secure fit. Apply a bead of silicone to seal the sink flange to the counter surface.