

Specification

HPC7101-C9DF8(TD)

Insulated Heater Proofer Pass-Through



- ◆ Designed for proofing and heating.
- ◆ Four doors design reduce the loss of heat and energy saving in cost.
- ◆ All digital display and controls.
- ◆ Machined Zinc Alloy handle.
- ◆ Adjustable thermostat for a variety of Warming temperatures.
- ◆ Holding temperature up to 185 F.
- ◆ Water pan provides moisture for proofing.
- ◆ Humidity up to 95%(under 90F).
- ◆ Total pan capacity is thirty-one full size pan(18" x 26")
- ◆ Clear polycarbonate door for easy viewing.
- ◆ High quality 5" casters,two with safety- lock
- ◆ Aluminum cabinet.

Note: Dimensions and Specification are Subject to change without notice.



Intertek

CONFORMS TO NSF/ANSI 4

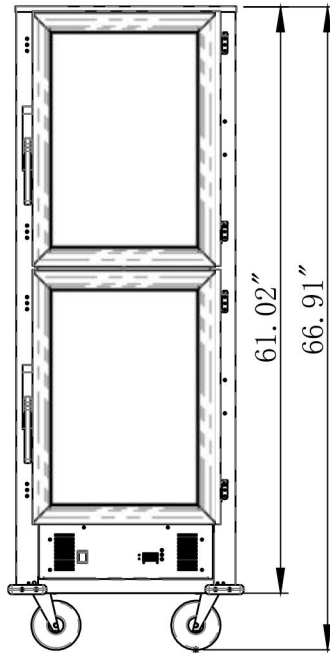
This full-size Heater Proofer cabinet can hold up to 31 18" x 26" full size pans, as well as a variety of others. Offering the ability to proof a variety of baked goods, allowing dough to rise before baking. All digital temperature controls with easy set up. Enables a variety of temperatures, including warming. Designed with enduring quality in mind.



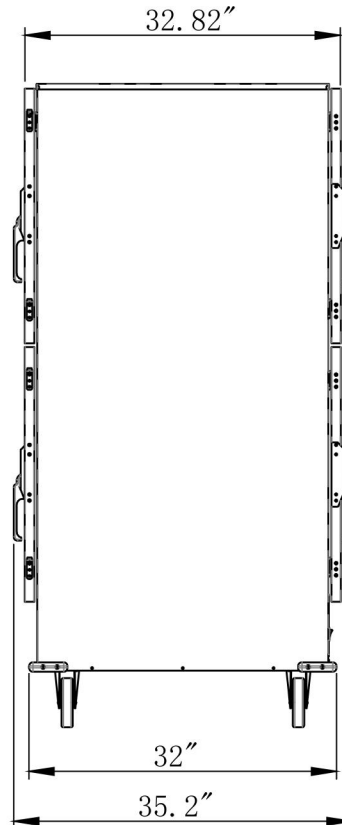
Dimensions and Specifications

HPC7101-C9DF8(TD) Pass-Through

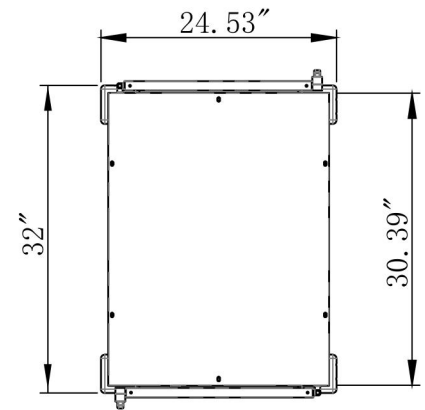
Top View



Front View



Side View



Pan Capacity 31 story, 18"x26" sheets

Electrical 120 volts

Power 1500 watts

Net weight 222 lbs.

Gross shipping weight 253 lbs.

Class 100

Dimensions 24.53"W X 35.2" D X 66.91" H

Package 25" W X 36" D X 68" H

Warranty 1Year Manufactures limited Warranty