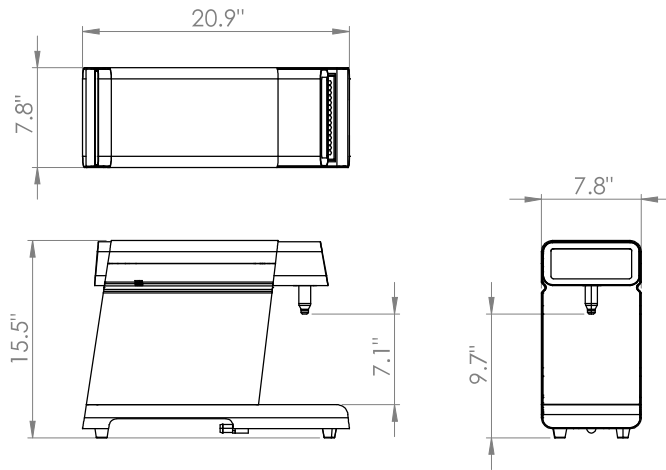




# MILKPAL

Consistent hot and cold milk foam without steam

- > Smooth and creamy texture
- > Precise temperature control
- > Continuous brewing
- > Automated cleaning



## SPECS

NAME ORDER CODE	DIMENSIONS (D x W x H inches)	SPOUT TO TRAY (H inches)	SERVINGS/ HR	POWER @ 110V	PLUMBING REQS	WEIGHT
MILKPAL 1001090US	21 x 7.6 x 15.2	7	120 (6oz)	12amp	1/4" push-fit 1 1/2" waste	66lbs

## PACKAGING

NAME ORDER CODE	DIMENSIONS (L x W x H inches)	PACKED WEIGHT	QTY / PALLET
MILKPAL 1001090US	28 x 22 x 12	77lbs*	8

\*Ships on pallet



# MILKPAL

## INSTALLATION

### STEP 1

Put three pipes into the countertop holes. Place the drain hose vertically downward without bending to prevent water accumulation. Do not squeeze three pipes together.

### STEP 2

Install the three pipes one by one. The water pipes must be securely fitted and checked for leaks.

### STEP 3

Insert the milk tube into the milk container. Drain pipe connects to the drain outlet.

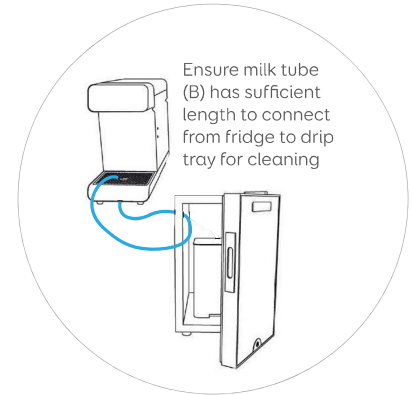
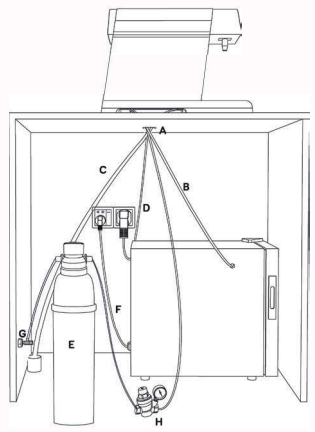
### STEP 4

Plug in machine. Power on. The power button is at the bottom right of the machine. (See Components)

### STEP 5

The machine enters into the cleaning mode automatically after power on. Wait for the machine to heat up after automatic cleaning mode is completed.

## PREPARATION



- A Hole Diameter 1.9in
- B Milk Tube (4.9ft)
- C Drain Pipe
- D Power Cable (NEMA 5-15p)
- E Filter
- F Milk Fridge Cable
- G Water Mains Shut Off Valve
- H Pressure Reducing Valve Mains water pressure required (limits): 5-50psi (35-345kPa)

FRIDGE NOT INCLUDED.

## SET UP & OPERATION

### OPERATING THE SYSTEM FOR THE FIRST TIME

Remove and discard all labels and packaging materials attached to your machine. Ensure you have removed all parts and accessories from the box before discarding the packaging.

- > Check that all electrical and plumbing installation procedures have been carried out.
- > Ensure water valve is on.
- > Ensure milk line has been inserted into milk container (in fridge).
- > Turn on the power switch.
- > The system will automatically start 20 second cleaning cycle.
- > The system will start to heat up to default temperature.
- > Once ready for operation, the system will display the main interface.

SYSTEM IS NOW READY FOR USE.