

## CHEF BASE REFRIGERATOR

KIN60CB-HC KIN72CB-HC KIN84CB-HC



KIN60CB-HC



KIN72CB-HC



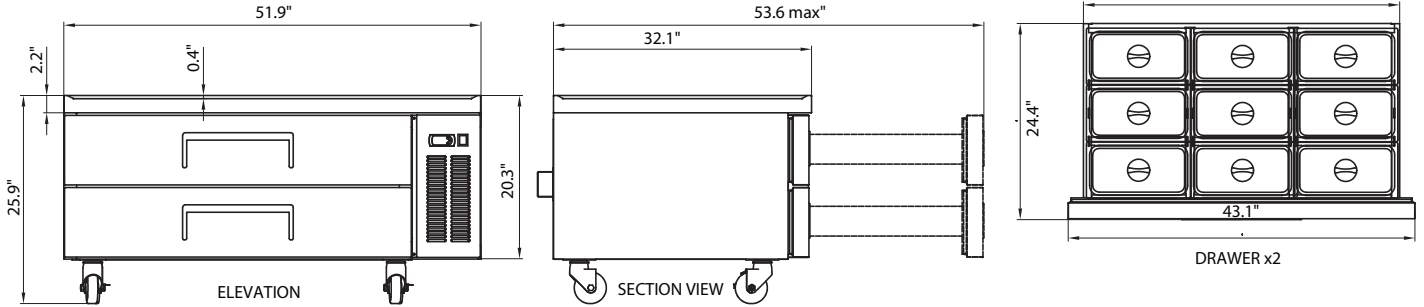
KIN84CB-HC

### FEATURES:

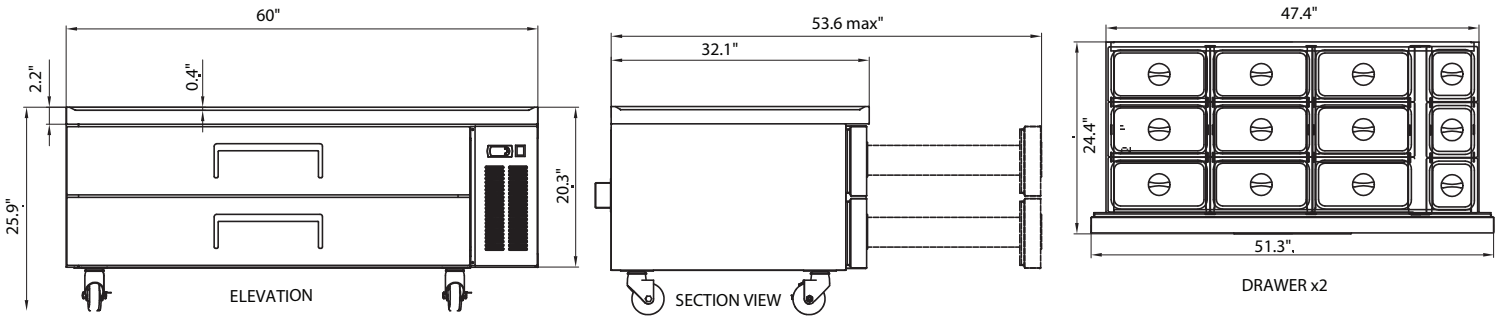
- R290 refrigerant and foam insulation
- Electronic thermostat and digital LED temperature display for accurate control and defrost frequency.
- Easy to mount 4" casters (lockable in front) are standard with all units
- Refrigeration system keeps food at safe temperatures between 33°F and 40°F (0.5°C to 5°C).
- Removable installation board makes it easy to access condenser coil for cleaning and service.
- Exterior SS430 Interior SS201. Matching aluminum finished back.
- Stainless steel SS304 top equipped with a marine edge enables the unit's top to contain drips and spills for easy cleanup.

# CHEF BASE REFRIGERATOR

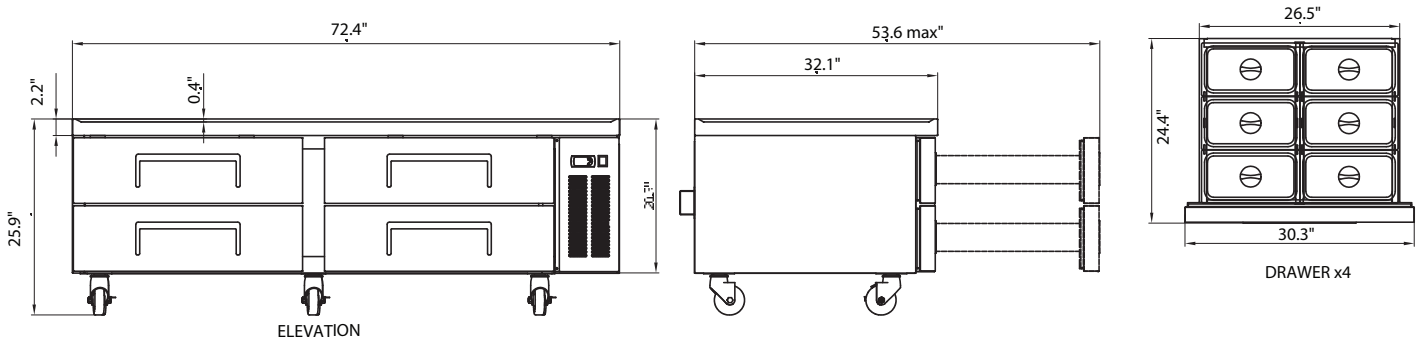
KIN60CB-HC



KIN72CB-HC



KIN84CB-HC



Model	Drawers	Exterior Dimensions (In)	Interior Dimensions (In)	Amps	Compressor Size (HP)	Shipping WT (Lbs)	Wheel
KIN60CB-HC	2	60" x 32.1" x 25,9"	48.3" x 22.5" x 15.7"	5.04	1/5	302	4"
KIN72CB-HC	2	72.4" x 32.1" x 25,9"	60.6" x 22.5" x 15.7"	6.5	1/4	322	4"
KIN84CB-HC	4	84" x 32.1" x 25,9"	72.3" x 22.5" x 15.7"	6.84	1/4	388	6"