



Item # _____
 Project : _____
 Qty : _____

24" Gas Griddle With Oven

Model No.

SWGO-24



SWGO-24

➤ Features:

- Stainless steel burner, each 21,000 BTU/hr
- Thermostat (250°F- 550°F) controlled oven
- Thermal coupling safety valve for the oven
- Flame failure control valve
- Welded frame structure for best stability
- Stainless steel front, galvanized sides
- Stainless steel oven door with insulation
- Stainless steel handle for bottom oven
- Adjustable heavy duty legs
- Large capacity grease/oil collector
- Kick plate at the bottom for easy access for servicing
- 3/4" NPT rear gas connection
- Made for natural gas

➤ Warranty Info:

One Year

- Parts & Labor on entire unit.
- Valid in United States.
- Valid for commercial use only.



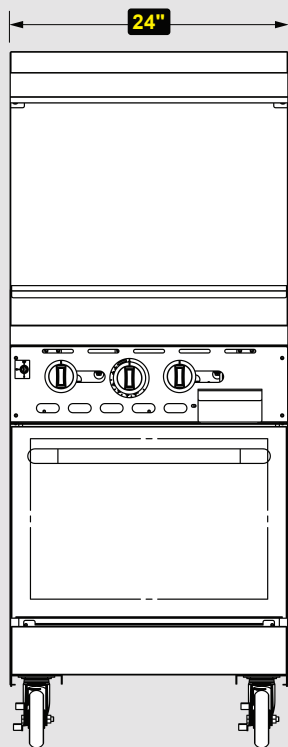
Conforms to UL Standard 471 and NSF Standard 7
 Certified to CSA Standard C22.2 No. 120

Revised 01/01/2026

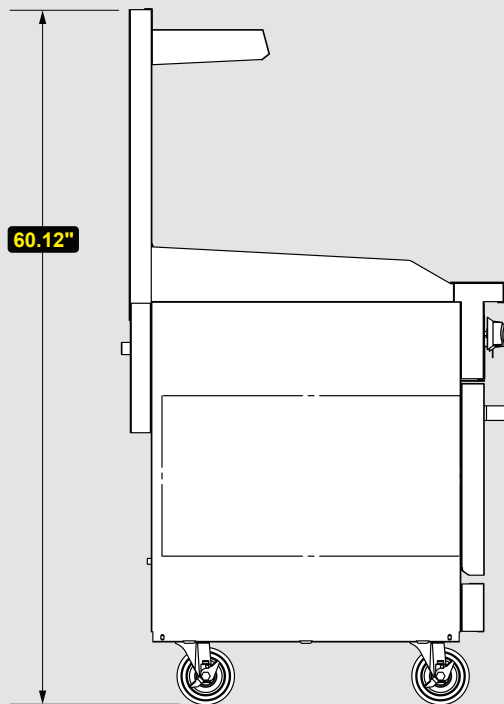
SWGO-24

Phone:(800).768.5953
 Fax:(800).976.1299

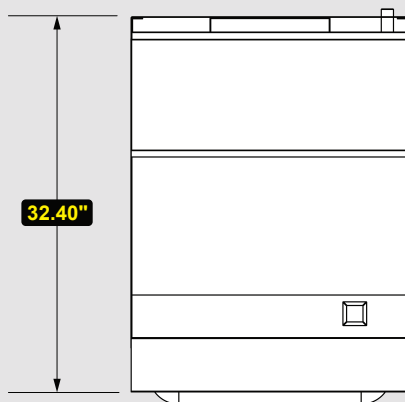
www.servware.com
 Copyright © 2026 Serv-Ware Products LLC.



Front View



Side View



Back View

➔ **Technical Information:**

MODEL #	DESCRIPTION	(W x D x H)	(Shipping)
SWGO-24	24" Gas Griddle With Oven	24" W x 32.40" D x 60.12" H	357 lbs.

CONSTRUCTION
Stainless steel front, back riser, high shelf, oven handle and bullnose. High temperature burner knobs with set screw. Nickel plated bullet feet. Porcelain door liner and oven bottom.

COOKING	
Temperature Range	250°F – 550°F
Total BTU/HR	72,000
Gas Line	3/4"
W.C. for Natural Gas	4 in.