

Potis Electric Doner Kebab Machines / Vertical Broilers

ITEM: 49063 49064
MODEL: NA-E2 NA-E3

49063



Exceptional Performance and Genuine Flavours for Your Doner Kebabs.

Elevate your kitchen with Potis Electric Vertical Broilers, designed to bring authentic doner kebab flavours right to your business. These gyro grill features top-notch attributes and precise control, making it easy to prepare delectable kebabs.

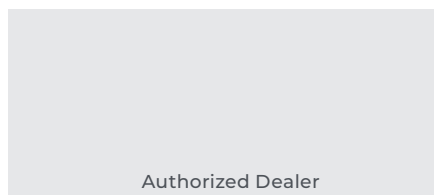
These Doner Kebab Machines are essential for serving mouthwatering, authentic doner kebabs. Their outstanding performance and ability to deliver genuine flavors will impress your guests and keep them coming back. Designed for ease of use and precision, these machine ensure perfectly cooked, juicy, and flavourful doner kebabs - opening up endless culinary possibilities!

49064



FEATURES:

- ✓ Stainless steel structure
- ✓ Individually controlled infrared burners with ceramic bricks
- ✓ Stainless steel front heat shields on both sides
- ✓ The distance between the cooking spit and burners can be adjusted
- ✓ Continuous pilot for instant ignition of the main burner
- ✓ Stainless steel octangular grease tray
- ✓ Designed for high performance and consistent results
- ✓ Heavy duty motor

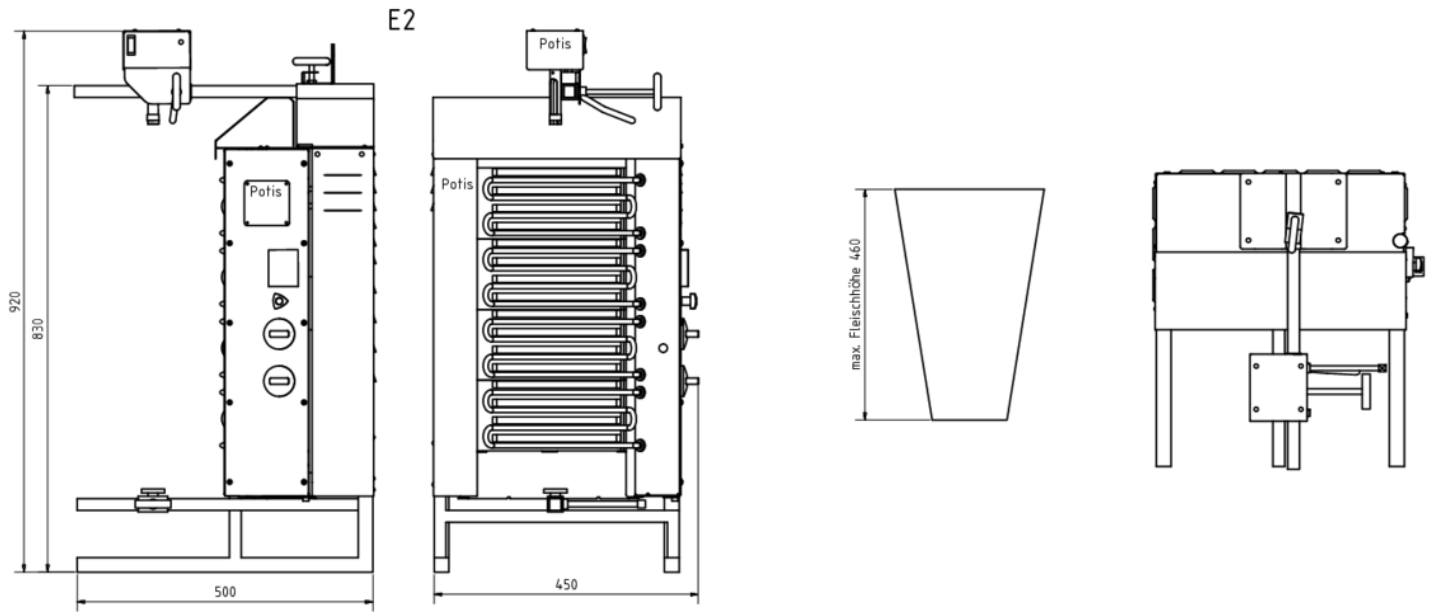


Technical Specification		
Features	30 Kg, 2 Burners	50 Kg, 3 Burners
Item	49063	49064
Model	NA-E2	NA-E3
Power	6 kW	9 kW
Electrical	208V/60Hz/1Ph + N	208V/60Hz/3Ph + N
Cooking Capacity	66.13 lbs. (30 kg)	110.23 lbs. (50 kg)
Max Height of Meat	18.1" (460 mm)	27.6" (700 mm)
Material	Stainless Steel	
Reflector Surfaces (ceramic bricks)	4 ceramic bricks	6 ceramic bricks
Floor Space (without grease tray, WxD)	17.7" (450 x 500 mm)	19.7" (450 x 500 mm)
Floor Space (with grease tray, WxD)	19.68" x 25.59" (500 x 650 mm)	19.68" x 25.59" (500 x 650 mm)
Net Dimensions (WxDxH)	17.7" x 19.7" x 36.2" (450 x 500 x 920 mm)	17.7" x 19.7" x 44" (450 x 500 x 1120 mm)
Net Weight	63.4 lbs. (29 kg)	79.3 lbs. (36 kg)
Gross Dimensions (WxDxH)	20.8" x 19.3" x 38.2" (530 x 490 x 970 mm)	20.8" x 19.3" x 45.2" (530 x 490 x 1150 mm)
Gross Weight	79.3 lbs. (36 kg)	97 lbs. (44 kg)

Accessories		
Item No.	Item Description	Compatible
49065	Dish (250 mm Ø)	49063, 49064
49066	Dish (195 mm Ø)	49063, 49064
49067	Dish (150 mm Ø)	49063, 49064
49069	895 mm Skewer	49064
49073	Motor Drive 1rpm	49063, 49064
49074	Thermocouple 330 mm	49063, 49064
49075	Reinforced Hand Cross (350 x 350 x 105 mm WxDxH)	49063, 49064
49076	Magnet Coil	49063, 49064
49154	Front Heat Shield for E2 (Left)	49063
49155	Front Heat Shield for E2 (Right)	49063
49156	Front Heat Shield for E3 (Left)	49064
49157	Front Heat Shield for E3 (Right)	49064

Technical Drawings

49063



49064

