

Karma 25" User Manual

FAMILY, FRIENDS, & FOOD



400 S. Railroad St. Warren, IL 61087

815-745-1021

info@wppollc.com

www.wppollc.com

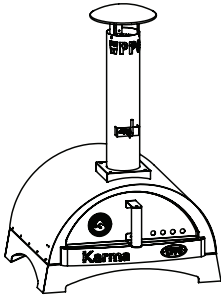
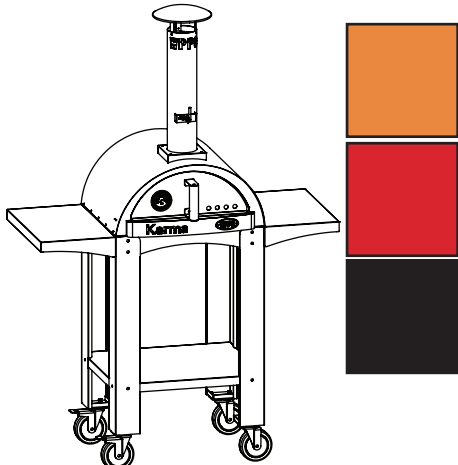
Karma Oven Size	25in. (Small)	
	<p data-bbox="300 304 483 331">Oven with Base</p>  <p data-bbox="300 661 479 688">Oven with Cart</p> 	
Description	<p data-bbox="292 1243 462 1270">Oven with Base:</p> <ul data-bbox="292 1270 511 1354" style="list-style-type: none"> • Oven: 304 Stainless steel • Base: Stainless steel 	<p data-bbox="625 1243 885 1297">"Karma with Color" Series Oven with Cart:</p> <ul data-bbox="625 1318 909 1423" style="list-style-type: none"> • Oven: Orange, red, or black powder-coated enamel • Cart: Black, powder-coated enamel
Exterior Dimensions (W x L x H)	<p data-bbox="292 1438 462 1465">Oven with Base:</p> <ul data-bbox="292 1480 592 1596" style="list-style-type: none"> • Oven only: 23L in. x 25W in. x 24H in. • Oven With Cart: 23.5L in. x 47.5W in. x 73H in. 	
Interior Dimensions	<p data-bbox="316 1690 430 1717">18"x 18" x 7"</p>	
Cooking Surface Area	<p data-bbox="316 1785 446 1812">18"x 18"= 324</p>	
Door Opening	<p data-bbox="316 1854 495 1881">18 1/2"W x 16.25"H</p>	
Weight	<ul data-bbox="292 1906 535 1959" style="list-style-type: none"> • Oven with base: 101lb. • Oven with cart: 145lb. 	

Figure X. Dimensions: 25in. Oven with Stand

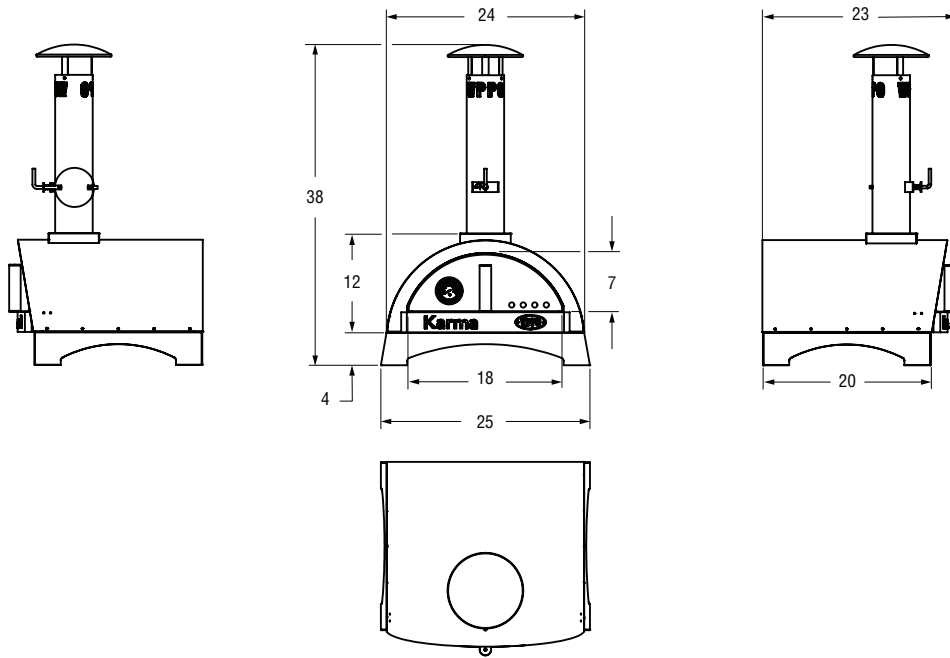


Figure X. Dimensions: 25in. Oven with Black, Powder Coated Cart

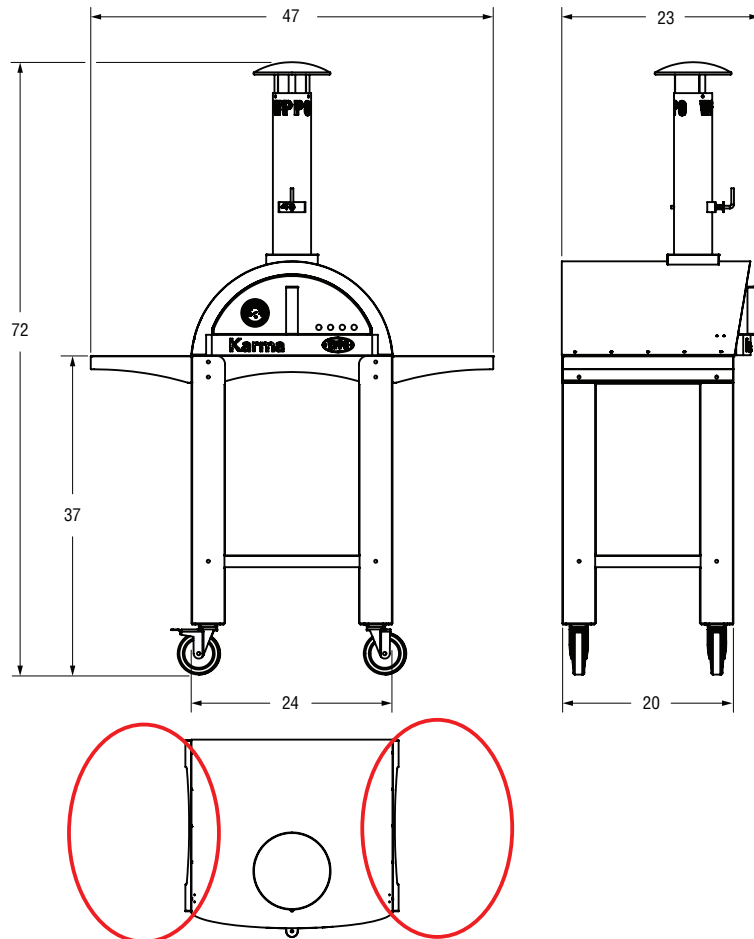


Figure X. Exploded View: 25in. Oven with Base

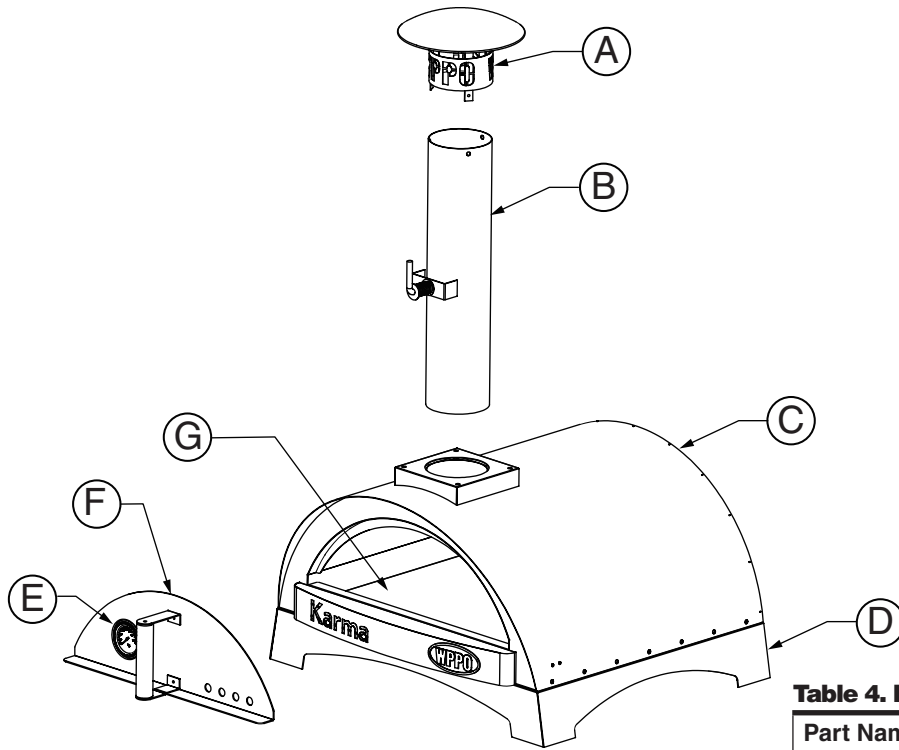


Table 3. Parts List: 25in. Oven with Base
(WKK-01S-304 Karma 25" stainless steel with base)

Part Name and Number		Quantity
A	Chimney Cap	1
B	Chimney	1
C	Oven Body	1
D	Base	1
E	Door	1
F	Thermostat	1
G	Stone	4

The stainless steel oven also fits on the black, powder coated enamel cart, available separately.

Table 4. Hardware List: 25in. Oven with Base

Part Name and Number		Quantity
	M5* 12 Bolt	3

Figure X. Assembled View: 25in. Oven with Base

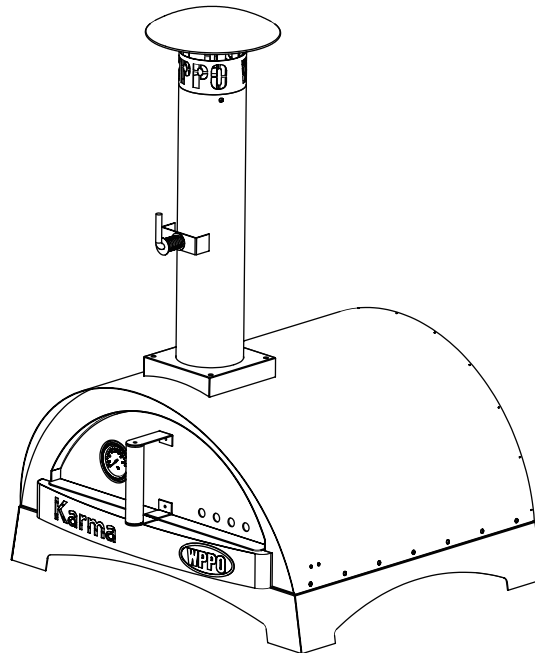


Figure X. Exploded View: 25in. Oven with Cart

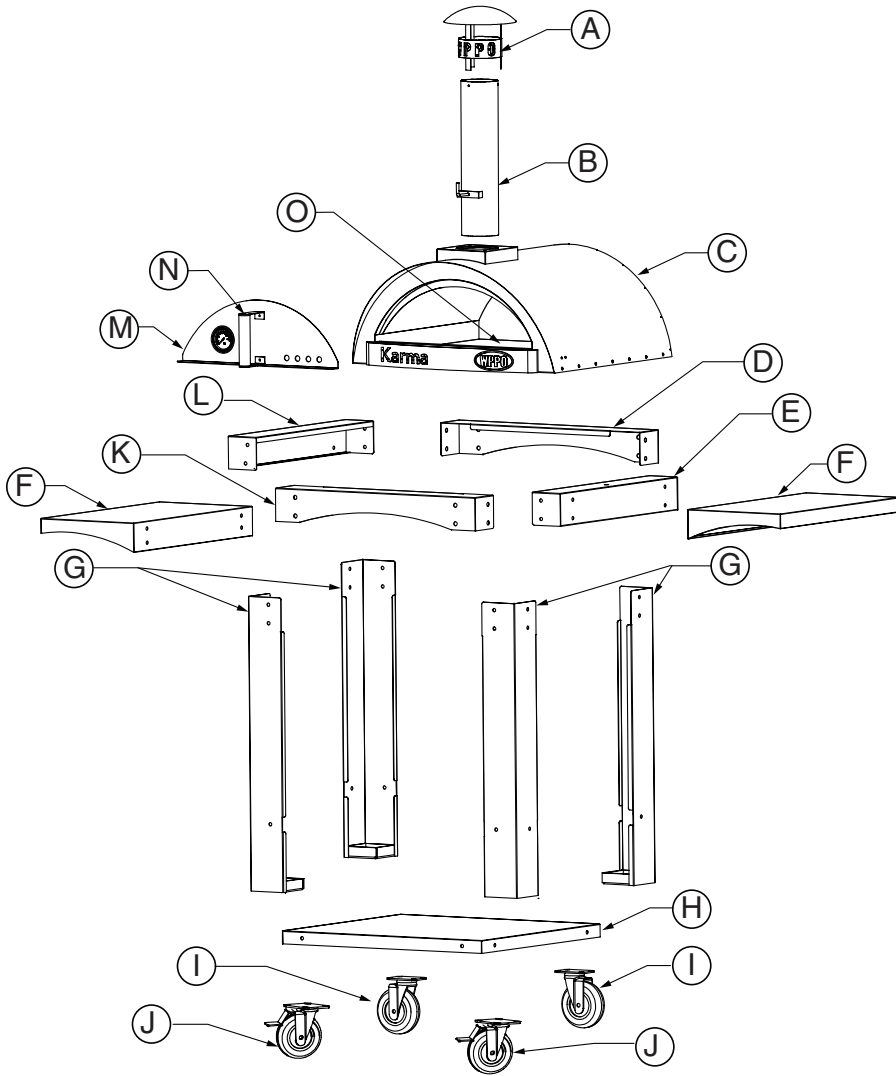


Table 5. Parts List: 25in. Oven with Cart
(WKK-01S-WS-RED, WKK-01S-WS-BLK, and WKK-01S-ORANGE Karma 25 Colored With Cart)

Part Name and Number		Quantity
A	Chimney Cap	1
B	Chimney	1
C	Oven Body	1
D	Back Bracket	1
E	Right Bracket	1
F	Side Shelf	1
G	Legs	1
H	Bottom Shelf	1
I	Casters	2
J	Casters with Brake	2
K	Left Bracket	1
L	Front Bracket	1
M	Door	1
N	Door Handle	1
O	Thermostat	1
P	Stone	4

Figure X. Assembled View: 25in. Oven with Cart

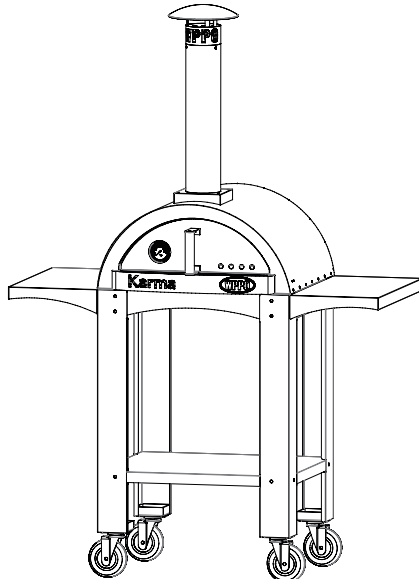


Table 6. Hardware List: 25in. Oven with Cart

Part Name and Number	Quantity
M8 Bolt	40
Washer	42
Spring Washer	16
Nut	24
M6 Bolt	3
M6 Washer	2
M5 Bolt	2