

# Karma 42" User Manual

**FAMILY, FRIENDS, & FOOD**



400 S. Railroad St. Warren, IL 61087

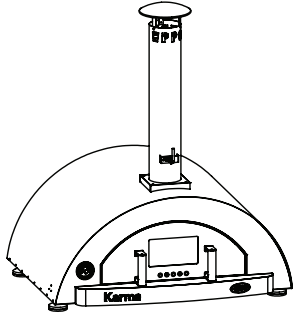
815-745-1021

info@wppollc.com

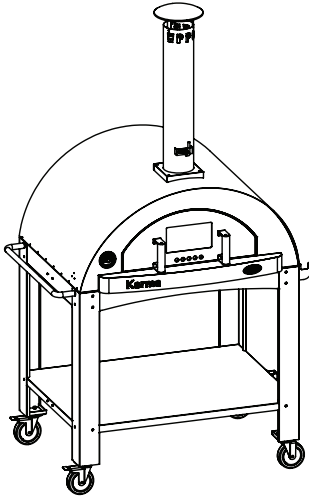
[www.wppollc.com](http://www.wppollc.com)

## 42in. (Large)

### Oven with Adjustable Feet



### Oven with Cart



### Oven with Adjustable Feet:

- **Oven:** 304 Stainless steel
- **Adjustable feet:** Stainless steel

### Oven with Cart:

- **Oven:** Stainless steel
- **Cart:** 201 Stainless steel

### Oven with Adjustable Feet:

- **Oven only:** 35.5L in. x 43W in. x 51H in.

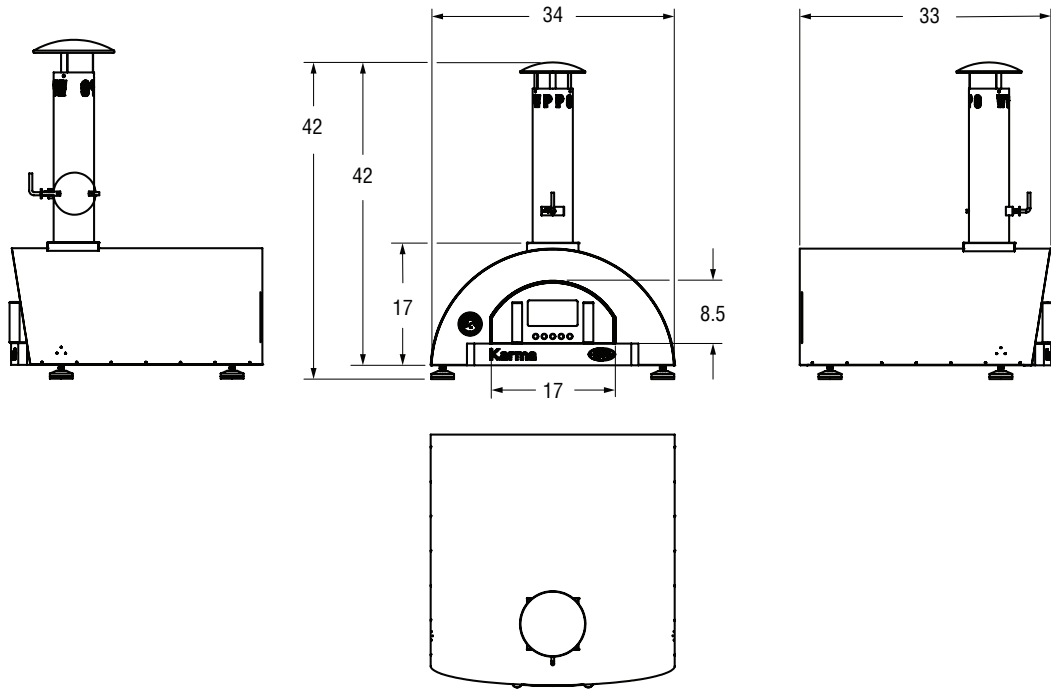
Interior Dimensions: 27" x 36" x 13"

Cooking Surface Area: 27" x 26" = 972

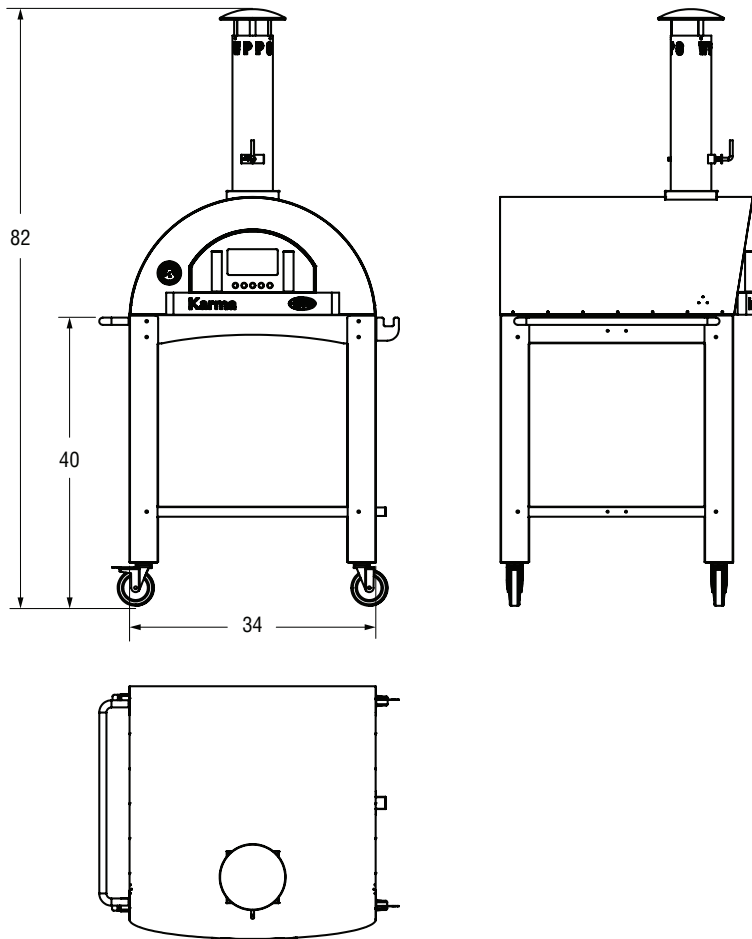
Door Opening: 24.75"W x 9.75"H

- **Oven with adjustable feet:** 291 lb.
- **Oven with cart:** 360lb.

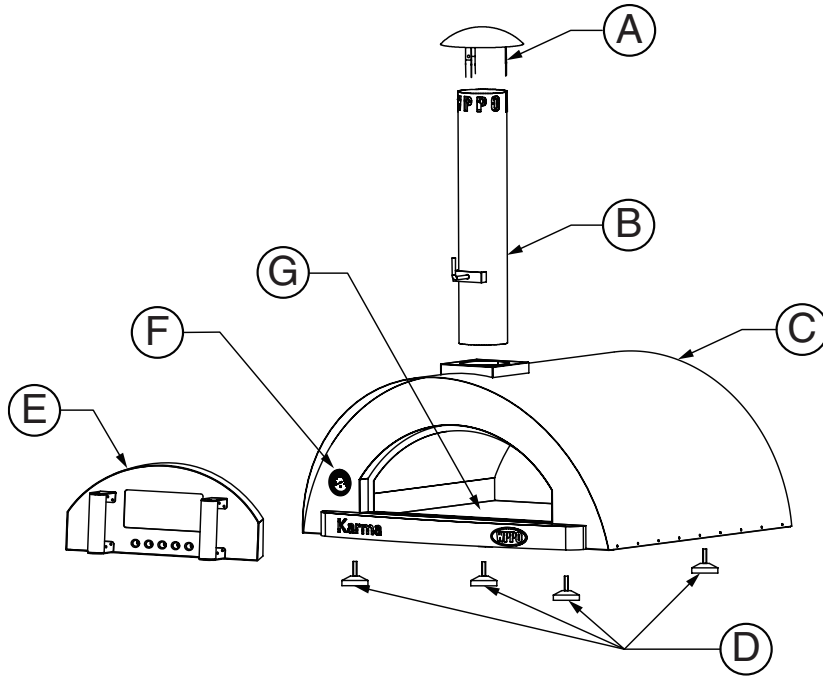
**Figure X. Dimensions: 42in. Oven with Adjustable Feet**



**Figure X. Dimensions: 42in. Oven with Cart**



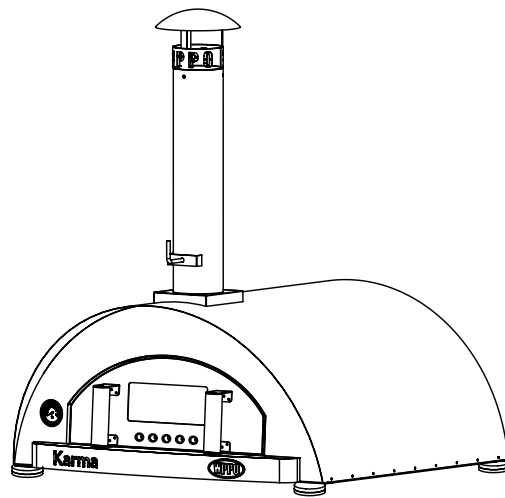
**Figure X. Exploded View: 42in. Oven with Adjustable Feet**



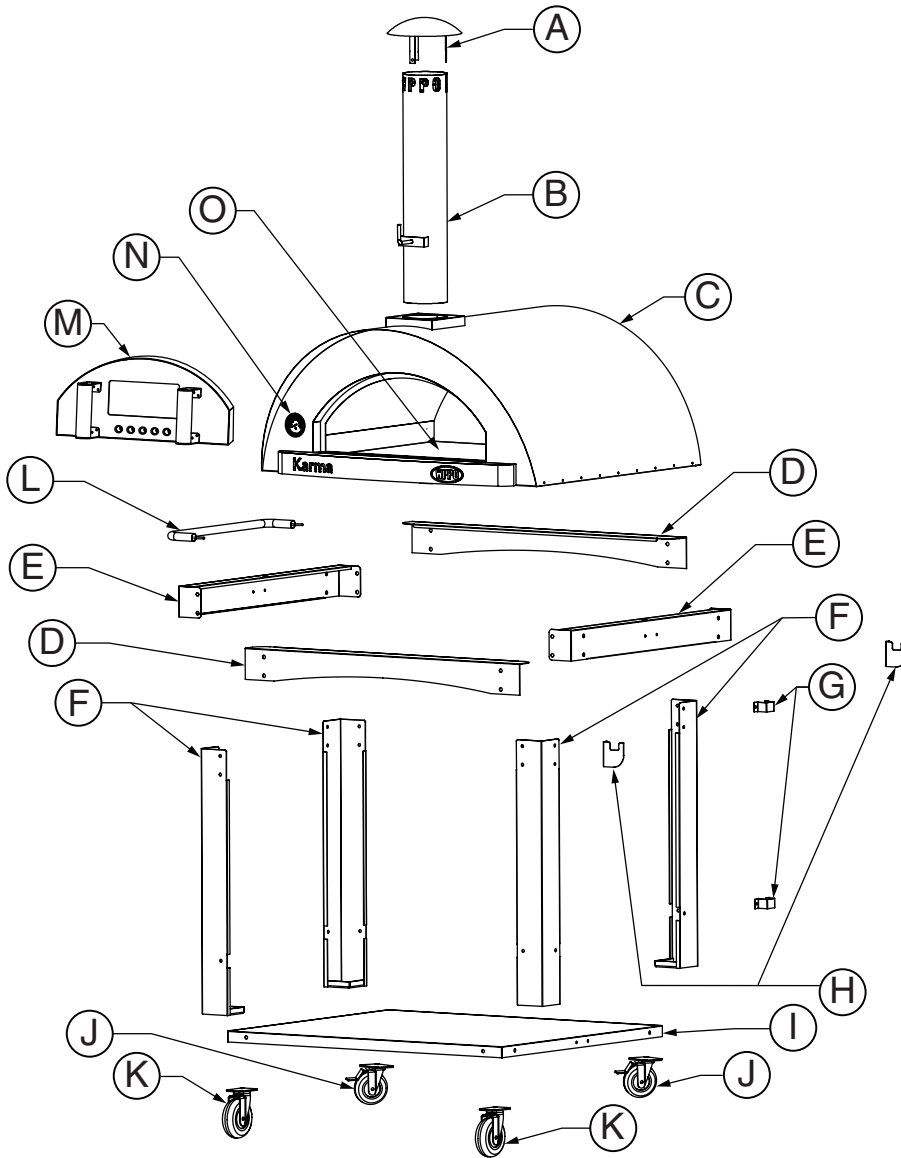
**Table 10. Parts List: 42in. Oven with Adjustable Feet (WKK-03S Karma 42)**

Part Name and Number		Quantity
A	Chimney Cap	1
B	Chimney	1
C	Oven Body	1
D	Adjustable Feet	4
E	Door	1
F	Thermostat	1
G	Stone	12

**Figure X. Assembled: 42in. Oven with Adjustable Feet**



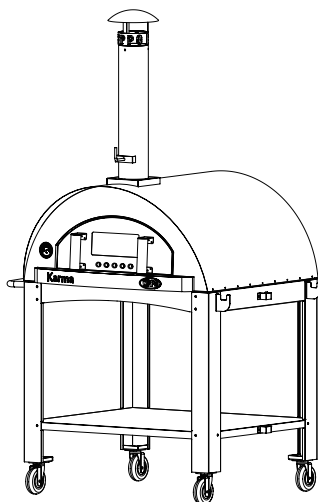
**Figure X. Exploded View: 42in. Oven with Cart**



**Table 11. Parts List: 42in. Oven with Cart (WKK-03S + WKCT-3S)**

Part Name and Number		Quantity
A	Chimney Cap	1
B	Chimney	1
C	Oven Body	1
D	Front and Back Bracket	1
E	Left and Right Bracket	1
F	Legs	4
G	Hook	2
H	U-Shaped Bracket	2
I	Bottom Shelf	1
J	Caster with Brake	2
K	Caster	2
L	Handle	1
M	Door	1
N	Thermostat	1
O	Stone	12

**Figure X. Assembled: 42in. Oven with Cart**



**Table 12. Hardware List: 32in Oven with Cart**

Part Name and Number	Quantity
M8* 20 Bolt	40
M8 Spring Washer	40
M8 Nut	24
M12* 30 Bolt	4
M12 Spring Washer	16
M5* 12 Bolt	7