

# TBX- JustChair Commercial Bases

Built to last - Easy to Assemble



**JustChair's TBX™ base is built with a solid cast spider and base component, with a precision welded column and industrial 17mm bolts with lock washers on each end.**

## Easy Assembly

As illustrated below, remove the bolts, then

- Attach the base unit to one end of the column with the bolt, lock washer and flat washer.
- Attach the spider to the other end of the column with bolt, lock washer and flat washer.
- Use the included closed-end 17mm wrench. Exert maximum torque to ensure the tightest possible fit.

## Easy Mounting

Center and attach screws. 8 mounting holes are included (4 required)

- Flip your top upside down. .
- Mark the center point on the top (or as noted on the template attached).
- Position the base spider (upside down) on the top.
- Install screws. Easiest with a power driver. One in each leg of the spider. Secondary holes are provided as a backup (in case of stripping or breaking of a screw).

1.

Insert the bolt with the lock washer and flat washer. The lock washer should be next to the bolt head.



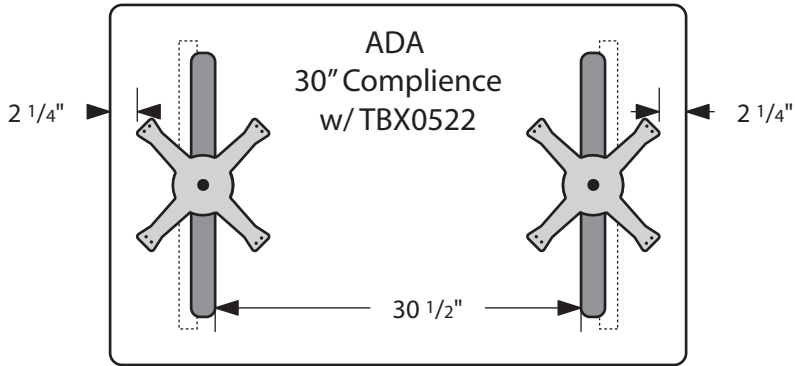
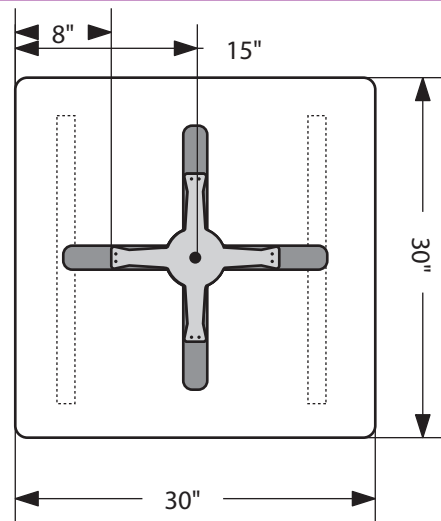
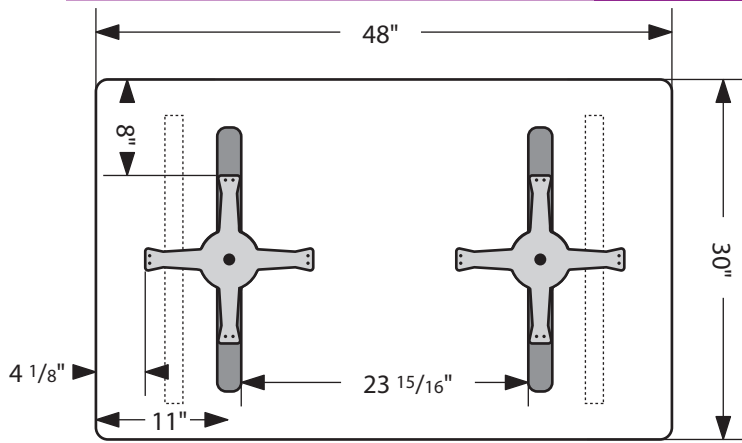
2. Use maximum torque (wrench included) to tighten the bolt to the base unit



3.

Use maximum torque to tighten the bolt to the spider.

Then refer to the attached template guides for positioning the bases on the tops.

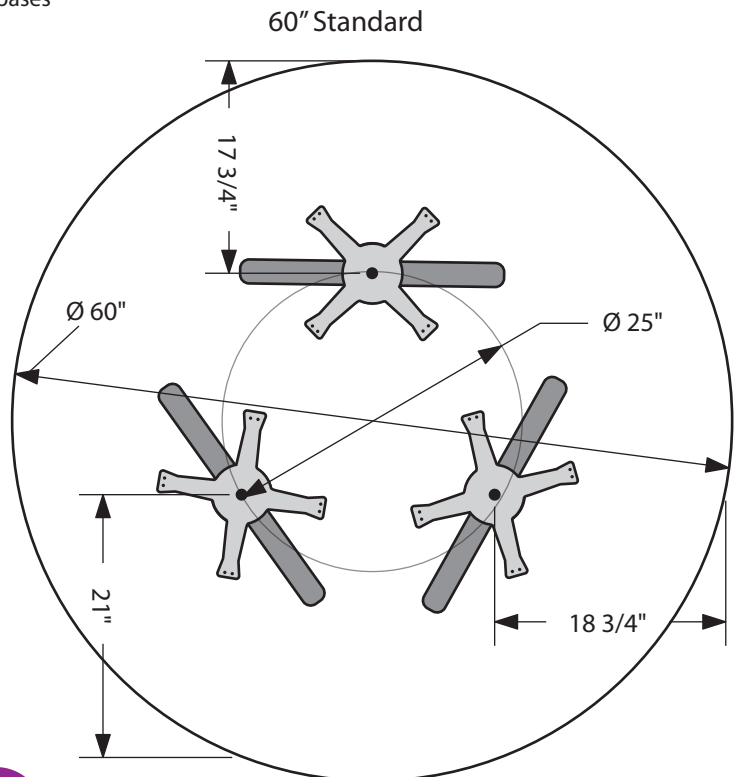
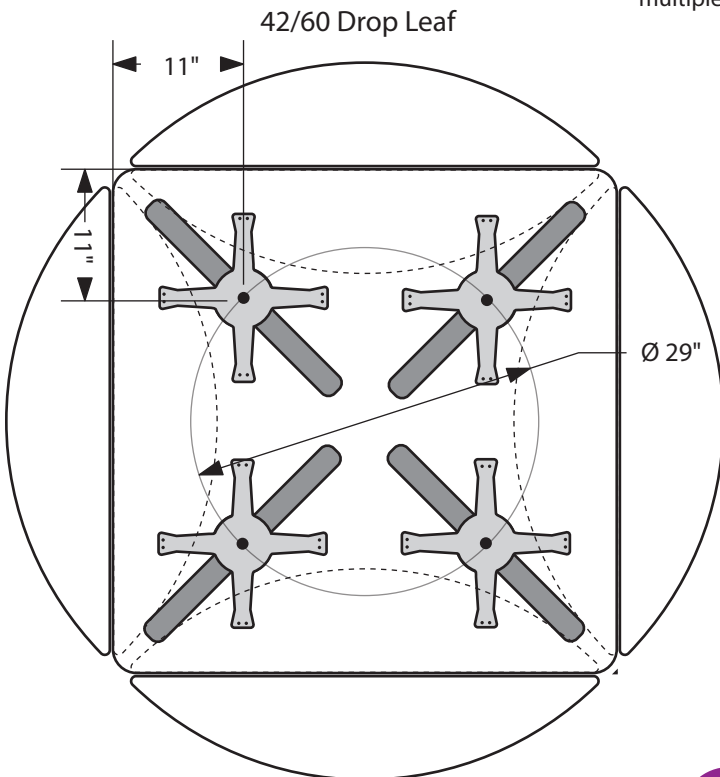


**Table Base Template v4 01/09/19**

Note 1: Only 4 screws required per spider (connection to top).

Note 2: Spider and base bolt should include lock washers and be tightened with maximum force.

All cross or round bases are centered on square and round tops  
 Except extra large tops (60") with multiple bases



	TB13-SPIDER	TB15-SPIDER	TB3-COL	TB4-COL	TB3-COL-BAR	TB4-COL-BAR	TB0522-BASE	TB2222-BASE	TB2430-BASE	TB3030-BASE	TBX3333-BASE	TB18R-BASE	TB24R-BASE	TB30R-BASE
TBX-0522-28		Optional		Optional										
TBX-2222-28		Optional		Optional										
TBX-2430-28		Optional		Optional										
TBX-3030-28		Optional		Optional										
TBX-3333-28														
TBX-18R-28		Optional		Optional										
TBX-24R-28														
TBX-30R-28														
TBX-0522-40		Optional				Optional								
TBX-2222-40		Optional				Optional								
TBX-2430-40		Optional				Optional								
TBX-3030-40														
TBX-18R-40		Optional				Optional								
TBX-24R-40														
TBX-30R-40														

NOTES: All columns include 2-17MM bolts, 2 flat washers, 2 lock washers  
 All spiders include 8 wood screws for top attachment  
 13" spider should always be paired with 3" column  
 15" spider should always be paired with 4" column

