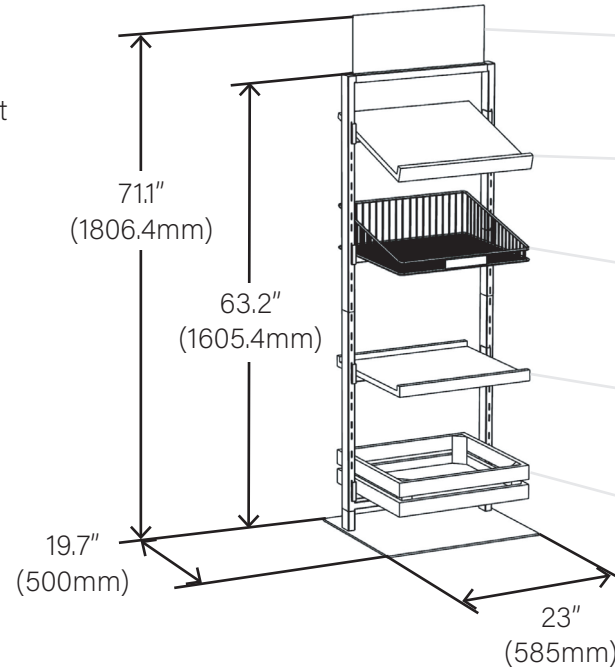


- Easy to Assemble!
- Versatile shelving system is fully customizable to fit your specific needs
- Shelves can be placed at different heights on frame to accommodate product
- Durable powder-coated steel
- Easy-to-clean laminate finish
- Removable Magnetic Sign Holder  
19.7in(500mm) x 7.87in(200mm)
- Magnetic signs available, sold separately
- It is recommended to use no more than 5 shelves



### Stand (#90089)

Weight: 49.36lbs  
Weight Capacity: 198.4lbs

### Angled Shelf (#154813)

Inside Dims: 18inL x 19.7inW (456mmL x 500mmW)  
Weight: 9.856lbs  
Weight Capacity: 22lbs

### Basket Shelf (#98454)

Inside Dims: 17.8inL x 17.2inW (451.2mmL x 437.2mmW)  
Weight: 9.482lbs  
Weight Capacity: 22lbs

### Flat Shelf (#184158)

Inside Dims: 17.2inL x 19.6inW (436.9mmL x 497.2mmW)  
Weight: 9.539lbs  
Weight Capacity: 22lbs

### Crate Shelf (#190559)

Inside Dims: 17.2inL x 18.1inW (436.9mmL x 459.1mmW)  
Weight: 13.816lbs  
Weight Capacity: 22lbs

