

FISHER[®]

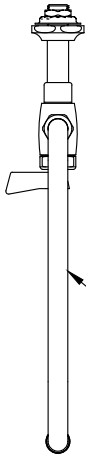
FISHER MANUFACTURING COMPANY TOLL FREE: 800-421-6162 - FAX: 800-832-8238
customer@fisherfaucets.com - www.fisherfaucets.com

PRODUCT NAME:

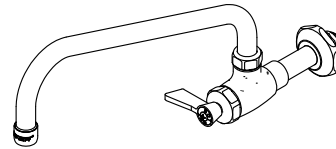
FAUCET CHCDLH 12SS

SPEC. FACB-KF-CHL

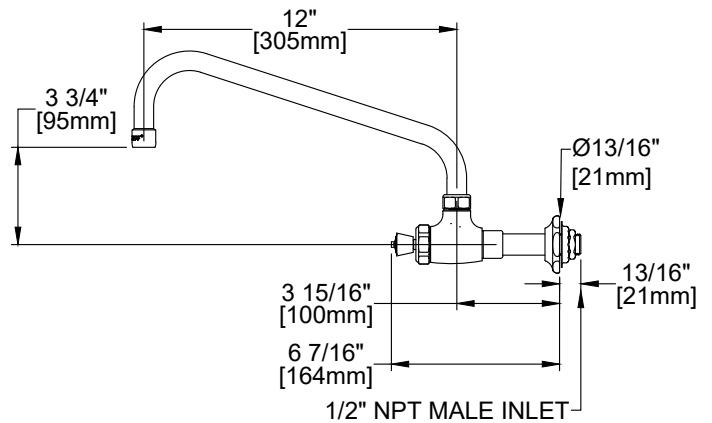
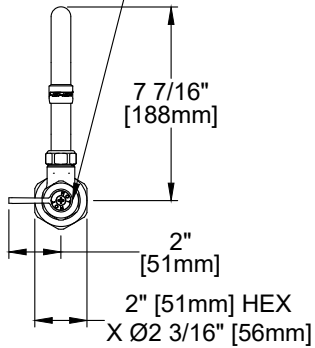
Customer/Wholesaler:	Date:	Job Name:	Model Specified: 91190	Quantity:
Contractor:	Architect/Engineer:			



SWING SPOUT
W/ FULL FLOW STREAM
STRAIGHTENER
55/64-27F



QUARTER TURN
CERAMIC DISK CARTRIDGES
W/ CHECK STEMS
& COLOR CODED INDEXES

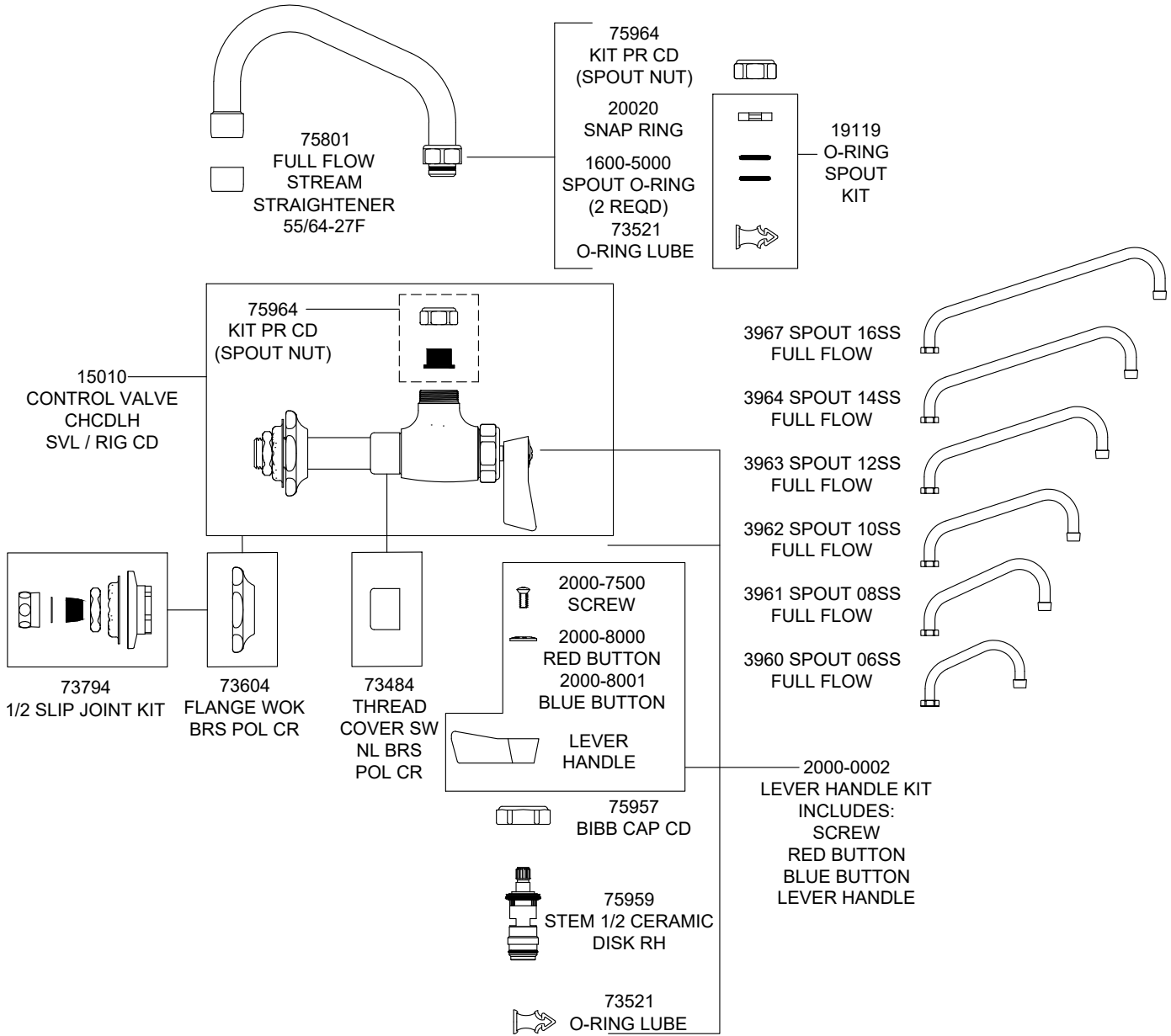


PRODUCT SPECIFICATIONS: CHINESE RANGE FAUCET, 1/2" X 3 5/8" NIPPLE, QUARTER TURN CERAMIC DISK CARTRIDGE W/ CHECK STEM, LEVER HANDLE, SWING SPOUT W/ FULL FLOW STREAM STRAIGHTENER 12.5 GPM @ 60 PSI, 1/2" NPT MALE INLET

PRODUCT COMPLIANCE:
ASME A112.18.1 / CSA B125.1
NSF 61 - Section 9
NSF 372 (Low Lead Content)

Customer/Wholesaler:	Date:	Job Name:	Model Specified: 91190	Quantity:
Contractor:		Architect/Engineer:		

REPLACEMENT PARTS



PRODUCT SPECIFICATIONS: CHINESE RANGE FAUCET, 1/2" X 3 5/8" NIPPLE, QUARTER TURN CERAMIC DISK CARTRIDGE W/ CHECK STEM, LEVER HANDLE, SWING SPOUT W/ FULL FLOW STREAM STRAIGHTENER 12.5 GPM @ 60 PSI, 1/2" NPT MALE INLET

PRODUCT COMPLIANCE:
ASME A112.18.1 / CSA B125.1
NSF 61 - Section 9
NSF 372 (Low Lead Content)