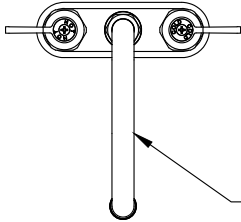
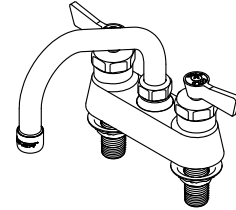


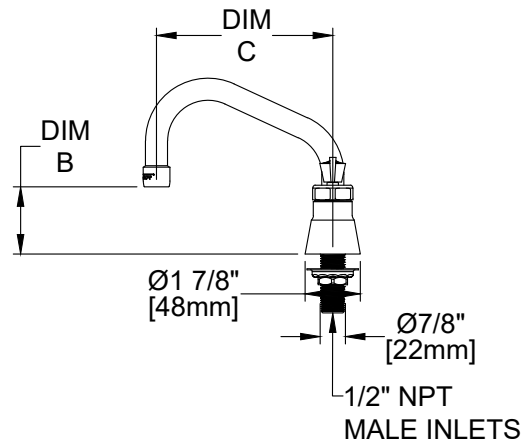
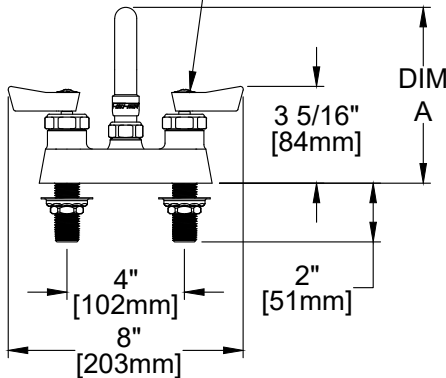
Customer/Wholesaler:	Date:	Job Name:	Model Specified:	Quantity:
Contractor:		Architect/Engineer:		



SWING SPOUT
W/ FULL FLOW STREAM
STRAIGHTENER
55/64-27F



QUARTER TURN
CERAMIC DISK CARTRIDGES
W/ CHECK STEMS
& COLOR CODED INDEXES



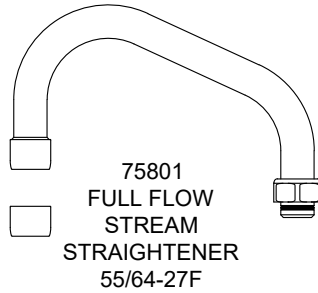
MODEL	DESCRIPTION	DIM A	DIM B	DIM C
35100	FAUCET 4DCDLH 06SS	6" [152mm]	2 5/16" [58mm]	6" [152mm]
35110	FAUCET 4DCDLH 08SS	6 15/16" [176mm]	3 1/4" [82mm]	8" [203mm]
35120	FAUCET 4DCDLH 10SS	6 15/16" [176mm]	3 1/4" [83mm]	10" [254mm]
35130	FAUCET 4DCDLH 12SS	7 9/16" [193mm]	3 7/8" [99mm]	12" [305mm]

PRODUCT SPECIFICATIONS: 4" DECK FAUCET, QUARTER TURN CERAMIC DISK CARTRIDGES W/ CHECK STEMS, LEVER HANDLES, SWING SPOUT W/ FULL FLOW STREAM STRAIGHTENER 12.5 GPM @ 60 PSI, 1/2" NPT MALE INLETS

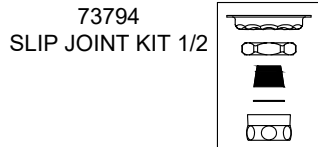
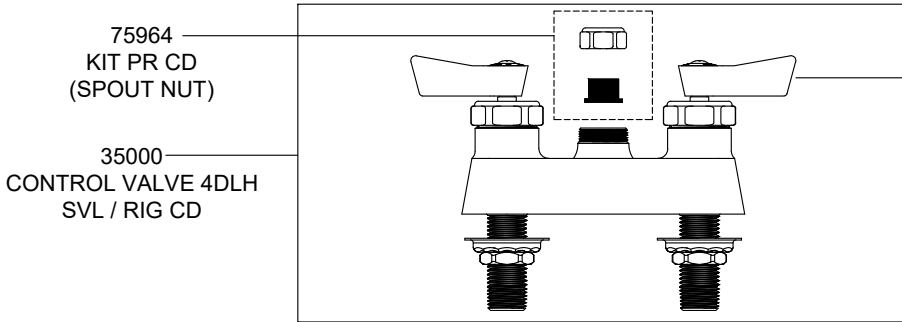
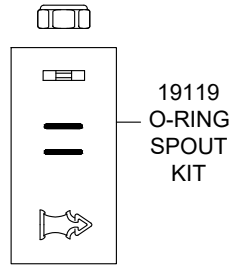
PRODUCT COMPLIANCE:
ASME A112.18.1 / CSA B125.1
NSF 61 - Section 9
NSF 372 (Low Lead Content)

Customer/Wholesaler:	Date:	Job Name:	Model Specified:	Quantity:
Contractor:		Architect/Engineer:		

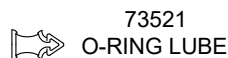
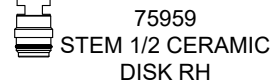
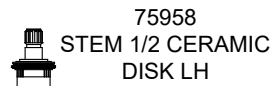
REPLACEMENT PARTS



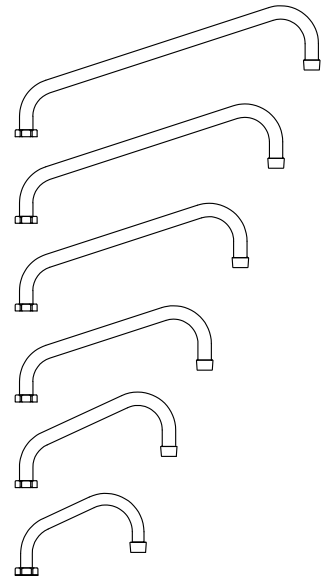
- 75964
KIT PR CD
(SPOUT NUT)
- 20020
SNAP RING
- 1600-5000
SPOUT O-RING
(2 REQD)
- 73521
O-RING LUBE



- 2000-7500
SCREW
- 2000-8000
RED BUTTON
- 2000-8001
BLUE BUTTON



- 3967 SPOUT 16SS
FULL FLOW
- 3964 SPOUT 14SS
FULL FLOW
- 3963 SPOUT 12SS
FULL FLOW
- 3962 SPOUT 10SS
FULL FLOW
- 3961 SPOUT 08SS
FULL FLOW
- 3960 SPOUT 06SS
FULL FLOW



- 2000-0002
LEVER HANDLE
KIT
INCLUDES:
SCREW
RED BUTTON
BLUE BUTTON
LEVER HANDLE

PRODUCT SPECIFICATIONS: 4" DECK FAUCET, QUARTER TURN CERAMIC DISK CARTRIDGES W/ CHECK STEMS, LEVER HANDLES, SWING SPOUT W/ FULL FLOW STREAM STRAIGHTENER 12.5 GPM @ 60 PSI, 1/2" NPT MALE INLETS

PRODUCT COMPLIANCE:
ASME A112.18.1 / CSA B125.1
NSF 61 - Section 9
NSF 372 (Low Lead Content)