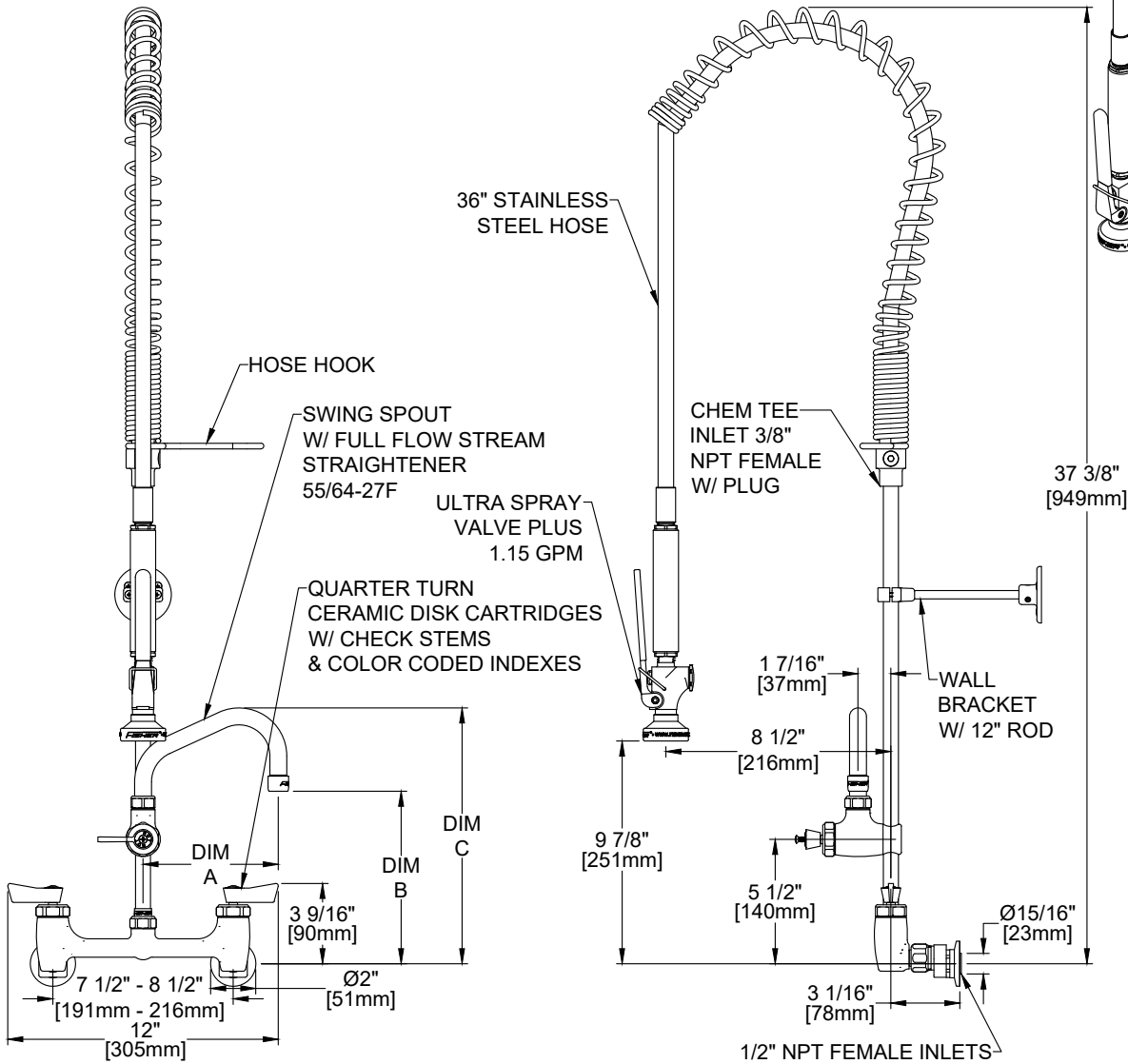
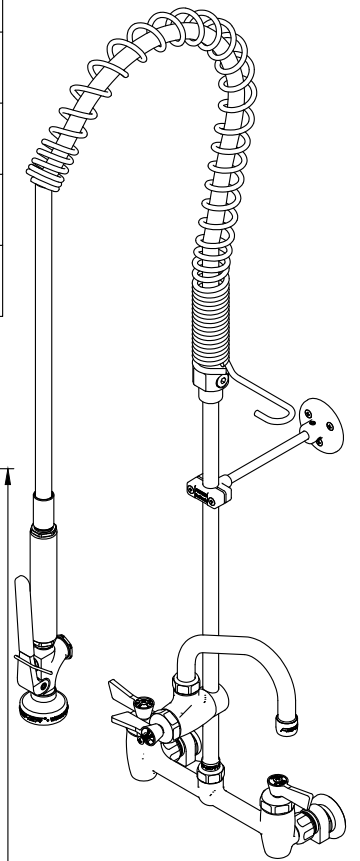
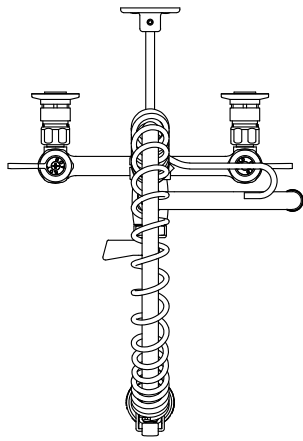


Customer/Wholesaler:	Date:	Job Name:	Model Specified:	Quantity:
Contractor:		Architect/Engineer:		

MODEL	DESCRIPTION	DIM A	DIM B	DIM C
34350	PRERINSE SPG 8AWCDLH 06SS	6" [152mm]	7 5/8" [194mm]	11 3/8" [288mm]
34370	PRERINSE SPG 8BSCDLH 10SS	10" [254mm]	8 5/8" [219mm]	12 5/16" [313mm]
34390	PRERINSE SPG 8BSCDLH 12SS	12" [305mm]	9 1/4" [235mm]	12 15/16" [329mm]
34400	PRERINSE SPG 8BSCDLH 14SS	14" [356mm]	9 15/16" [252mm]	13 5/8" [346mm]

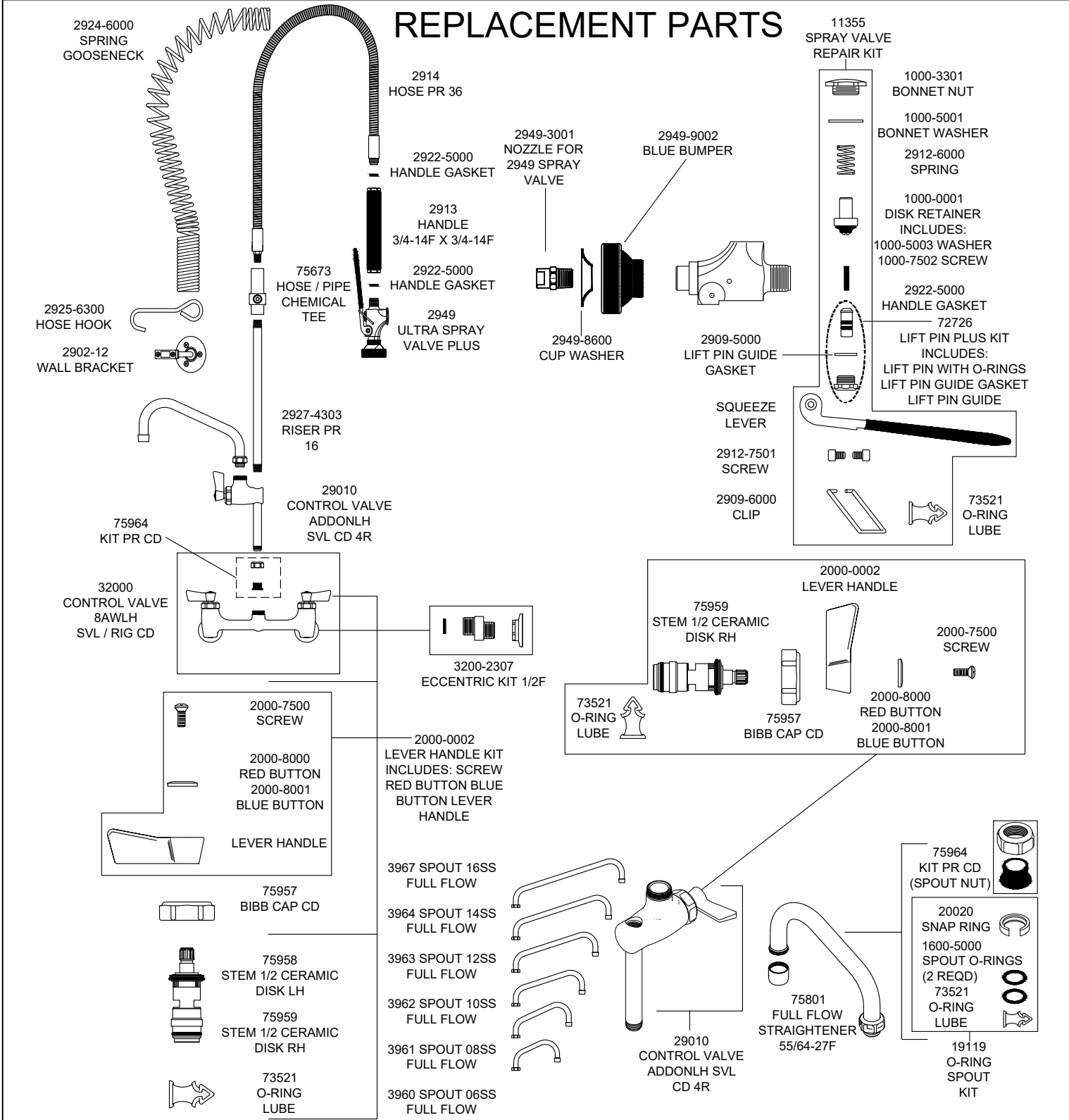


PRODUCT SPECIFICATIONS: PRE-RINSE, 8" ADJUSTABLE WALL CONTROL VALVE, QUARTER TURN CERAMIC DISK CARTRIDGES W/ CHECK STEMS, LEVER HANDLES, SWING SPOUT W/ FULL FLOW STREAM STRAIGHTENER 12.5 GPM @ 60 PSI, 36" STAINLESS STEEL HOSE, 1.15 GPM @ 60 PSI SPRAY VALVE, 12" WALL BRACKET, 1/2" NPT FEMALE INLETS

PRODUCT COMPLIANCE:
ASME A112.18.1 / CSA B125.1
NSF 61 - Section 9
NSF 372 (Low Lead Content)
2019 DOE PRSV - Class II

Customer/Wholesaler:	Date:	Job Name:	Model Specified:	Quantity:
Contractor:		Architect/Engineer:		

REPLACEMENT PARTS



PRODUCT SPECIFICATIONS: PRE-RINSE, 8" ADJUSTABLE WALL CONTROL VALVE, QUARTER TURN CERAMIC DISK CARTRIDGES W/ CHECK STEMS, LEVER HANDLES, SWING SPOUT W/ FULL FLOW STREAM STRAIGHTENER 12.5 GPM @ 60 PSI, 36" STAINLESS STEEL HOSE, 1.15 GPM @ 60 PSI SPRAY VALVE, 12" WALL BRACKET, 1/2" NPT FEMALE INLETS

PRODUCT COMPLIANCE: ASME A112.18.1 / CSA B125.1 NSF 61 - Section 9 NSF 372 (Low Lead Content) 2019 DOE PRSV - Class II