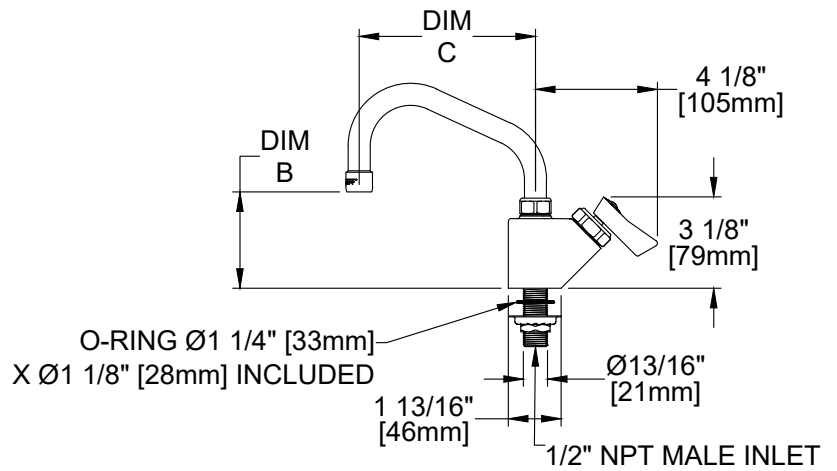
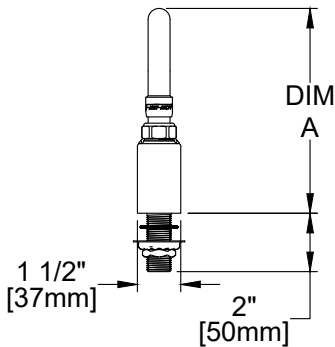
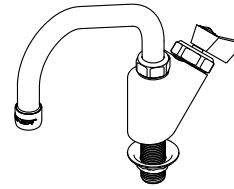
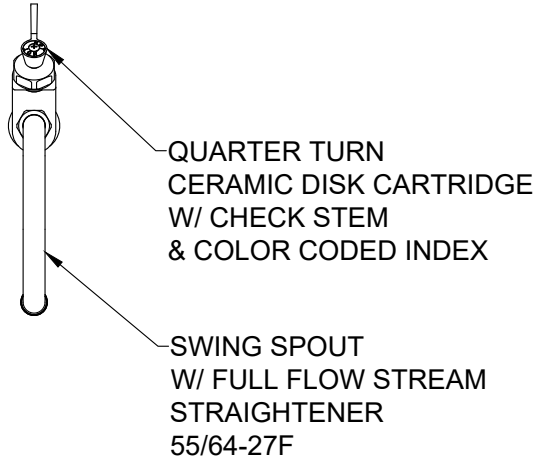


|                      |       |                     |                  |           |
|----------------------|-------|---------------------|------------------|-----------|
| Customer/Wholesaler: | Date: | Job Name:           | Model Specified: | Quantity: |
| Contractor:          |       | Architect/Engineer: |                  |           |



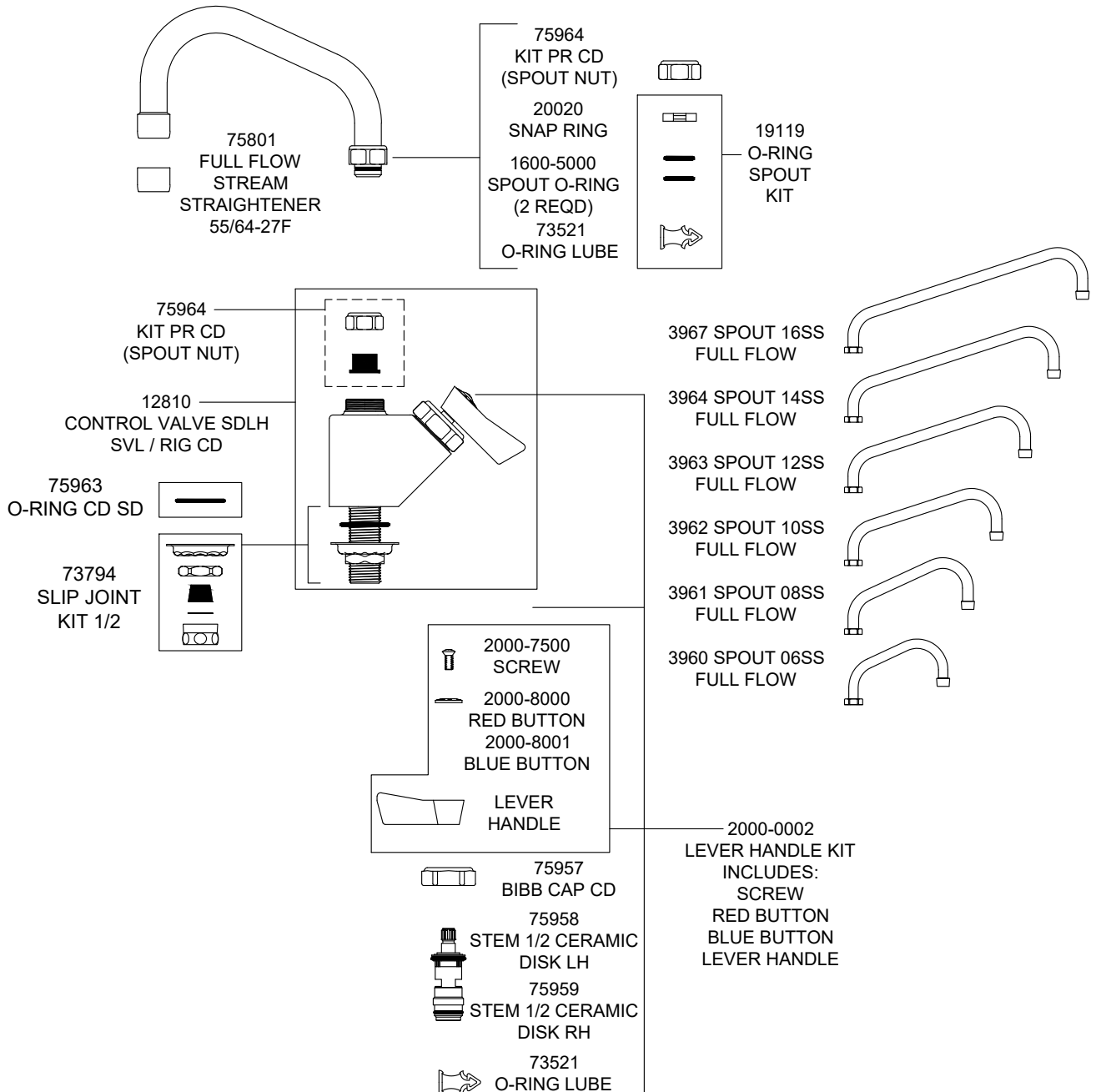
| MODEL | DESCRIPTION        | DIM A            | DIM B           | DIM C       |
|-------|--------------------|------------------|-----------------|-------------|
| 30100 | FAUCET SDCDLH 06SS | 7" [177mm]       | 3 1/4" [83mm]   | 6" [152mm]  |
| 30110 | FAUCET SDCDLH 08SS | 7 7/8" [201mm]   | 4 3/16" [107mm] | 8" [203mm]  |
| 30120 | FAUCET SDCDLH 10SS | 7 15/16" [202mm] | 4 1/4" [108mm]  | 10" [254mm] |
| 30130 | FAUCET SDCDLH 12SS | 8 9/16" [218mm]  | 4 7/8" [124mm]  | 12" [305mm] |

PRODUCT SPECIFICATIONS: SINGLE DECK FAUCET, QUARTER TURN CERAMIC DISK CARTRIDGE W/ CHECK STEM, LEVER HANDLE, SWING SPOUT W/ FULL FLOW STREAM STRAIGHTENER 12.5 GPM @ 60 PSI, 1/2" NPT MALE INLET

PRODUCT COMPLIANCE:  
ASME A112.18.1 / CSA B125.1  
NSF 61 - Section 9  
NSF 372 (Low Lead Content)

|                      |       |                     |                  |           |
|----------------------|-------|---------------------|------------------|-----------|
| Customer/Wholesaler: | Date: | Job Name:           | Model Specified: | Quantity: |
| Contractor:          |       | Architect/Engineer: |                  |           |

## REPLACEMENT PARTS



PRODUCT SPECIFICATIONS: SINGLE DECK FAUCET, QUARTER TURN CERAMIC DISK CARTRIDGE W/ CHECK STEM, LEVER HANDLE, SWING SPOUT W/ FULL FLOW STREAM STRAIGHTENER 12.5 GPM @ 60 PSI, 1/2" NPT MALE INLET

PRODUCT COMPLIANCE:  
ASME A112.18.1 / CSA B125.1  
NSF 61 - Section 9  
NSF 372 (Low Lead Content)