



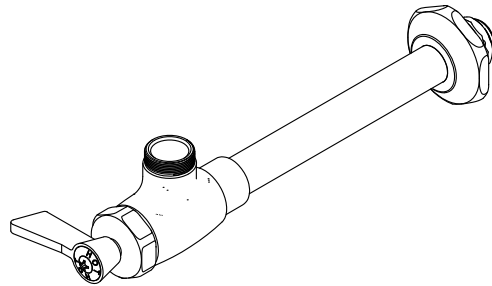
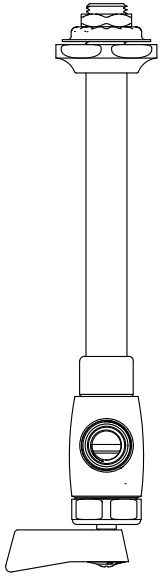
FISHER MANUFACTURING COMPANY TOLL FREE: 800-421-6162 - FAX: 800-832-8238  
 customer@fisherfaucets.com - www.fisherfaucets.com

PRODUCT NAME:

CONTROL VALVE CRCDLH R/S

SPEC. CV/CB-SO-CRL

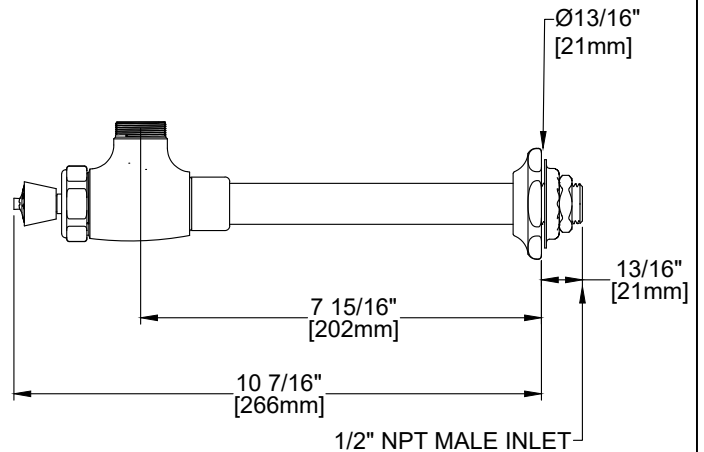
Customer/Wholesaler:	Date:	Job Name:	Model Specified: 47550	Quantity:
Contractor:		Architect/Engineer:		



SWIVEL / RIGID OUTLET

QUARTER TURN CERAMIC DISK CARTRIDGE W/ CHECK STEM & COLOR CODED INDEX

2" [51mm]  
 2" [51mm] HEX X Ø2 3/16" [56mm]

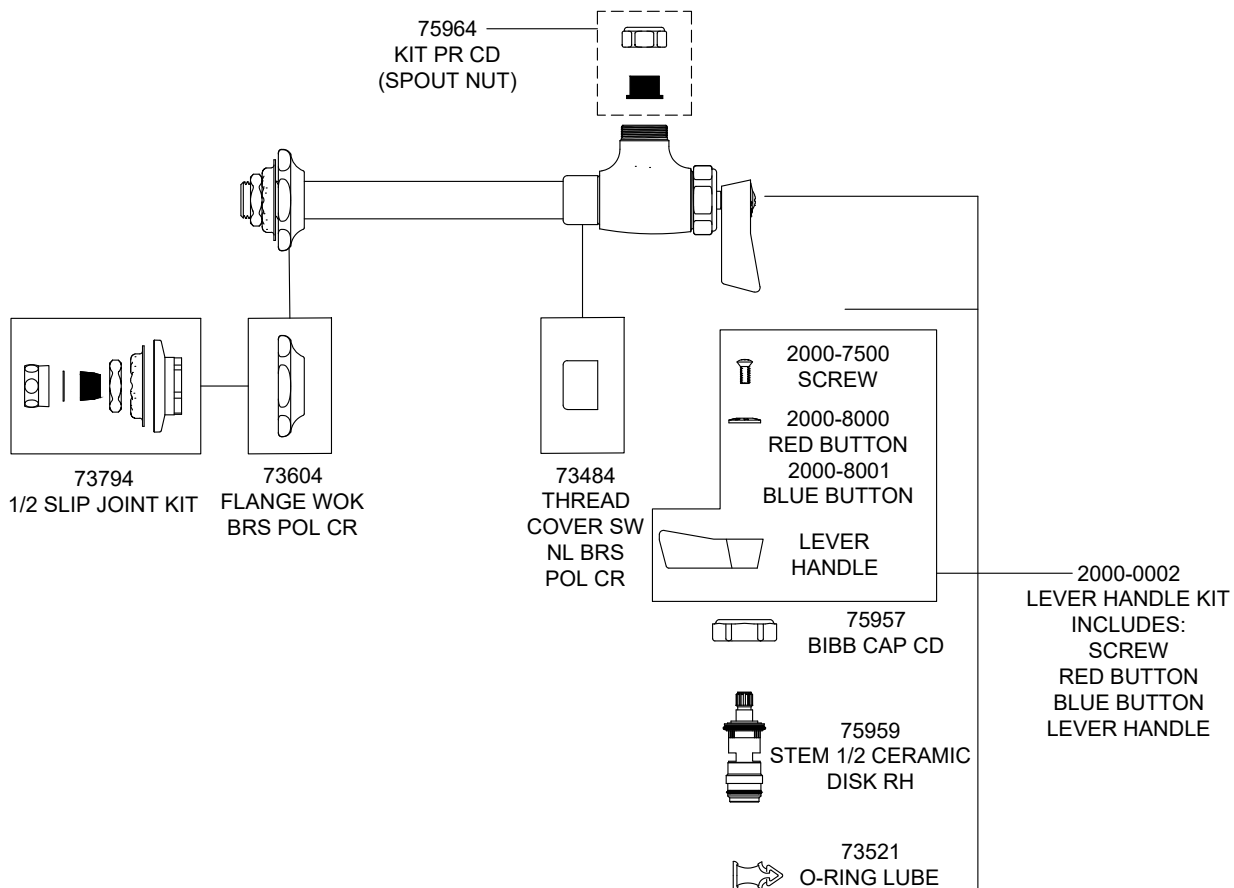


PRODUCT SPECIFICATIONS: CHINESE RANGE CONTROL VALVE, 1/2" X 7 5/8" NIPPLE, QUARTER TURN CERAMIC DISK CARTRIDGE W/ CHECK STEM, LEVER HANDLE, 1/2" NPT MALE INLET

PRODUCT COMPLIANCE:  
 ASME A112.18.1 / CSA B125.1  
 NSF 61 - Section 9  
 NSF 372 (Low Lead Content)

Customer/Wholesaler:	Date:	Job Name:	Model Specified: 47550	Quantity:
Contractor:		Architect/Engineer:		

## REPLACEMENT PARTS



PRODUCT SPECIFICATIONS: CHINESE RANGE CONTROL VALVE, 1/2" X 7 5/8" NIPPLE, QUARTER TURN CERAMIC DISK CARTRIDGE W/ CHECK STEM, LEVER HANDLE, 1/2" NPT MALE INLET

PRODUCT COMPLIANCE:  
ASME A112.18.1 / CSA B125.1  
NSF 61 - Section 9  
NSF 372 (Low Lead Content)