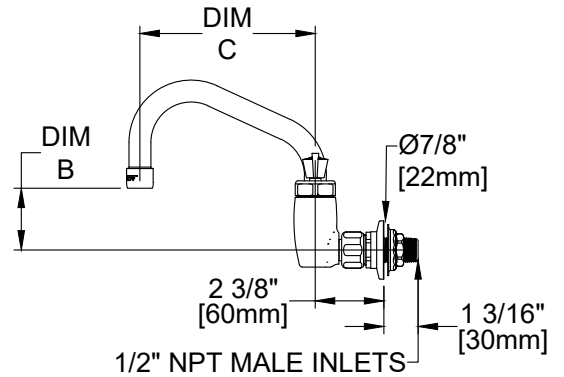
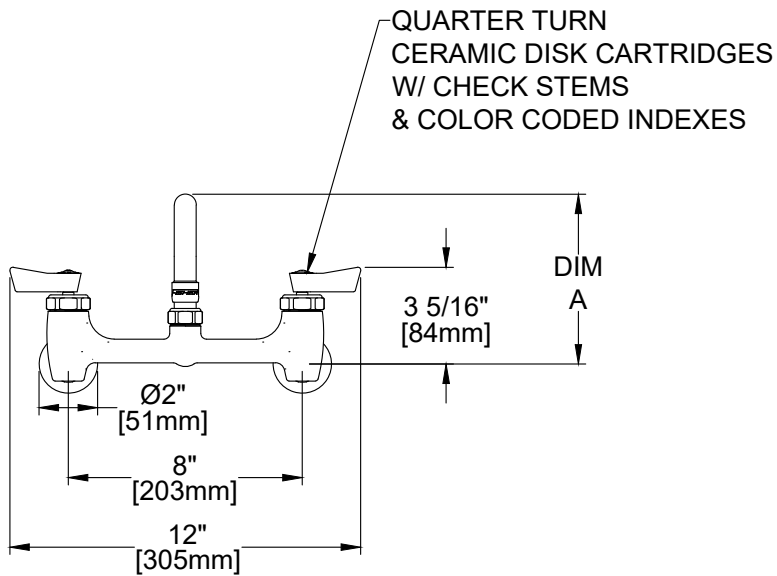
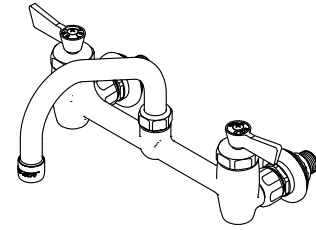
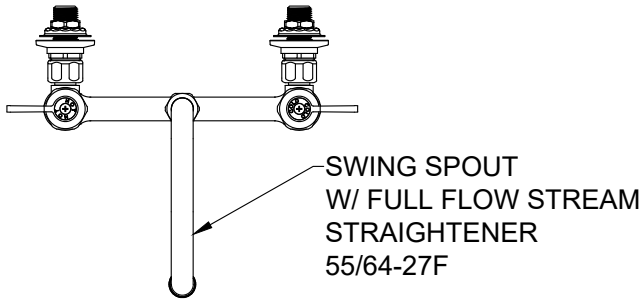


Customer/Wholesaler:	Date:	Job Name:	Model Specified:	Quantity:
Contractor:		Architect/Engineer:		



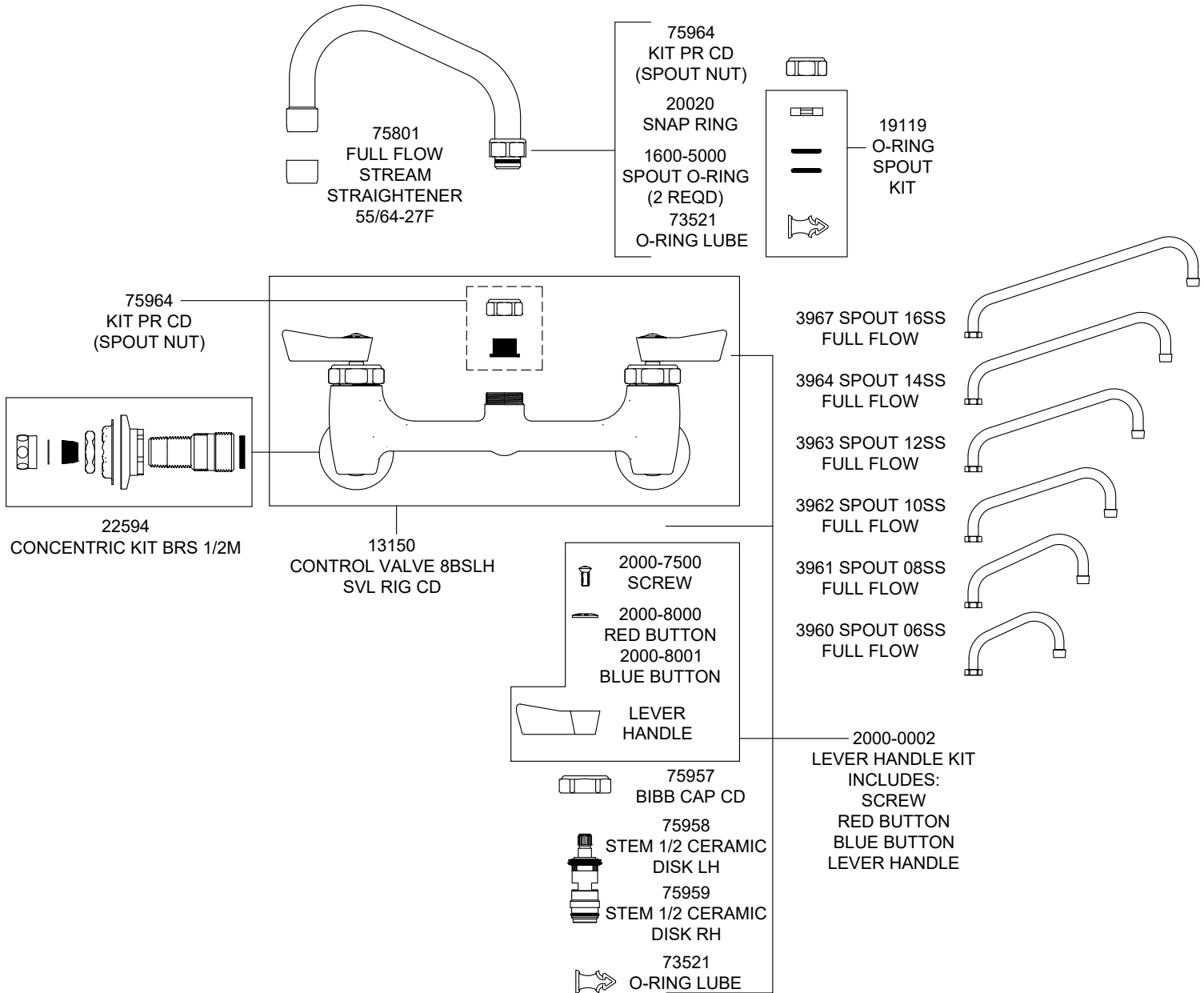
MODEL	DESCRIPTION	DIM A	DIM B	DIM C
13230	FAUCET 8BSCDLH 06SS	5 13/16" [148mm]	2 1/8" [54mm]	6" [152mm]
13240	FAUCET 8BSCDLH 08SS	6 3/4" [171mm]	3 1/16" [77mm]	8" [203mm]
13290	FAUCET 8BSCDLH 10SS	6 3/4" [172mm]	3 1/16" [78mm]	10" [254mm]
13260	FAUCET 8BSCDLH 12SS	7 7/16" [188mm]	3 11/16" [94mm]	12" [305mm]
13270	FAUCET 8BSCDLH 14SS	8 1/16" [205mm]	4 3/8" [111mm]	14" [356mm]
13210	FAUCET 8BSCDLH 16SS	8 3/4" [222mm]	5 1/16" [128mm]	16" [406mm]

PRODUCT SPECIFICATIONS: 8" BACKSPASH FAUCET, QUARTER TURN CERAMIC DISK CARTRIDGES W/ CHECK STEMS, LEVER HANDLES, SWING SPOUT W/ FULL FLOW STREAM STRAIGHTENER 12.5 GPM @ 60 PSI, 1/2" NPT MALE INLETS

PRODUCT COMPLIANCE:
ASME A112.18.1 / CSA B125.1
NSF 61 - Section 9
NSF 372 (Low Lead Content)

Customer/Wholesaler:	Date:	Job Name:	Model Specified:	Quantity:
Contractor:		Architect/Engineer:		

REPLACEMENT PARTS



PRODUCT SPECIFICATIONS: 8" BACKSPASH FAUCET, QUARTER TURN CERAMIC DISK CARTRIDGES W/ CHECK STEMS, LEVER HANDLES, SWING SPOUT W/ FULL FLOW STREAM STRAIGHTENER 12.5 GPM @ 60 PSI, 1/2" NPT MALE INLETS

PRODUCT COMPLIANCE:
ASME A112.18.1 / CSA B125.1
NSF 61 - Section 9
NSF 372 (Low Lead Content)