



FISHER MANUFACTURING COMPANY TOLL FREE: 800-421-6162 - FAX: 800-832-8238  
customer@fisherfaucets.com - www.fisherfaucets.com

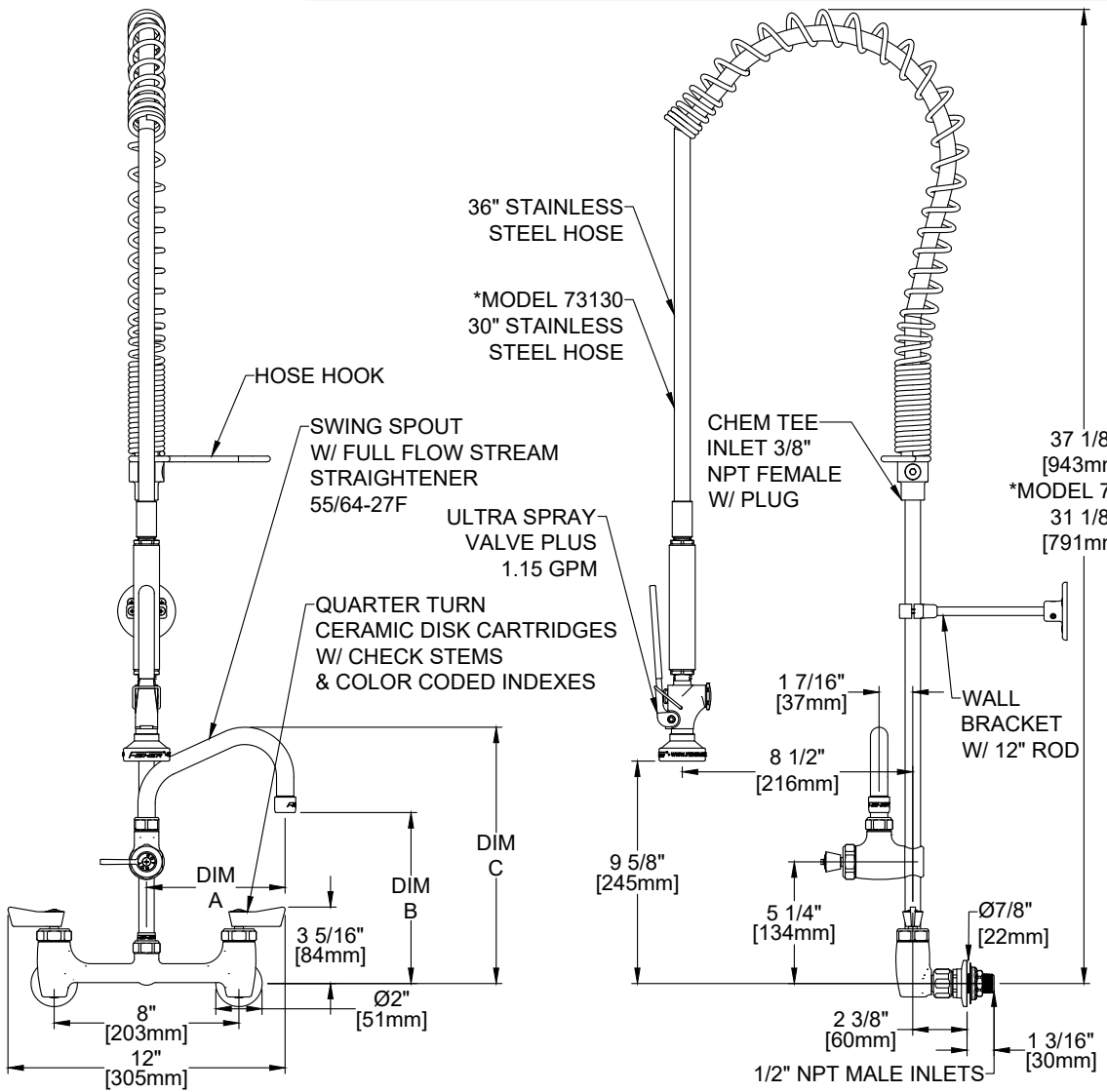
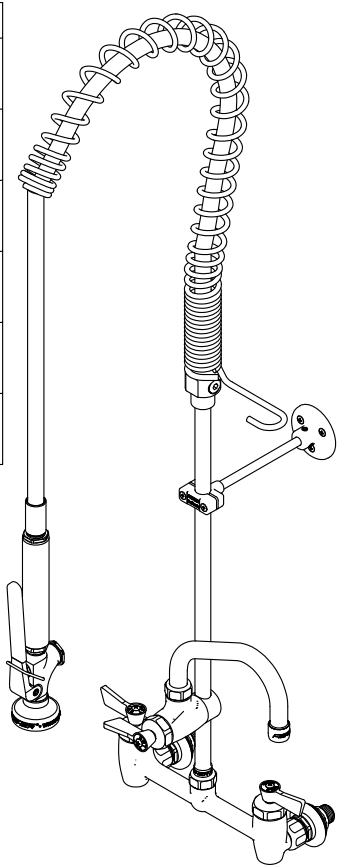
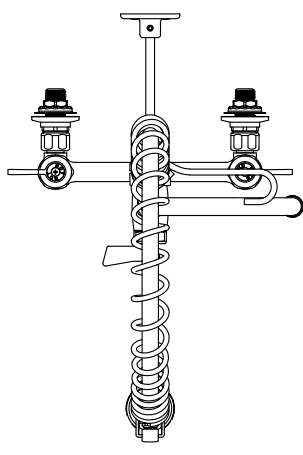
PRODUCT NAME:

PRERINSE SPG 8BSCDLH SS

SPEC. PRCB-SPA-8BSLL

Customer/Wholesaler:	Date:	Job Name:	Model Specified:	Quantity:
Contractor:		Architect/Engineer:		

MODEL	DESCRIPTION	DIM A	DIM B	DIM C
34430	PRERINSE SPG 8BSCDLH 06SS	6" [152mm]	7 3/8" [188mm]	11 1/8" [282mm]
34450	PRERINSE SPG 8BSCDLH 10SS	10" [254mm]	8 3/8" [212mm]	12 1/16" [306mm]
34410	PRERINSE SPG 8BSCDLH 12SS	12" [305mm]	9" [229mm]	12 11/16" [322mm]
34470	PRERINSE SPG 8BSCDLH 14SS	14" [356mm]	9 11/16" [245mm]	13 3/8" [339mm]
34480	PRERINSE SPG 8BSCDLH 16SS	16" [406mm]	10 5/16" [262mm]	14" [356mm]
73130*	PRERINSE SPG 8BSCDLH 16SS	16" [406mm]	10 5/16" [262mm]	14" [356mm]

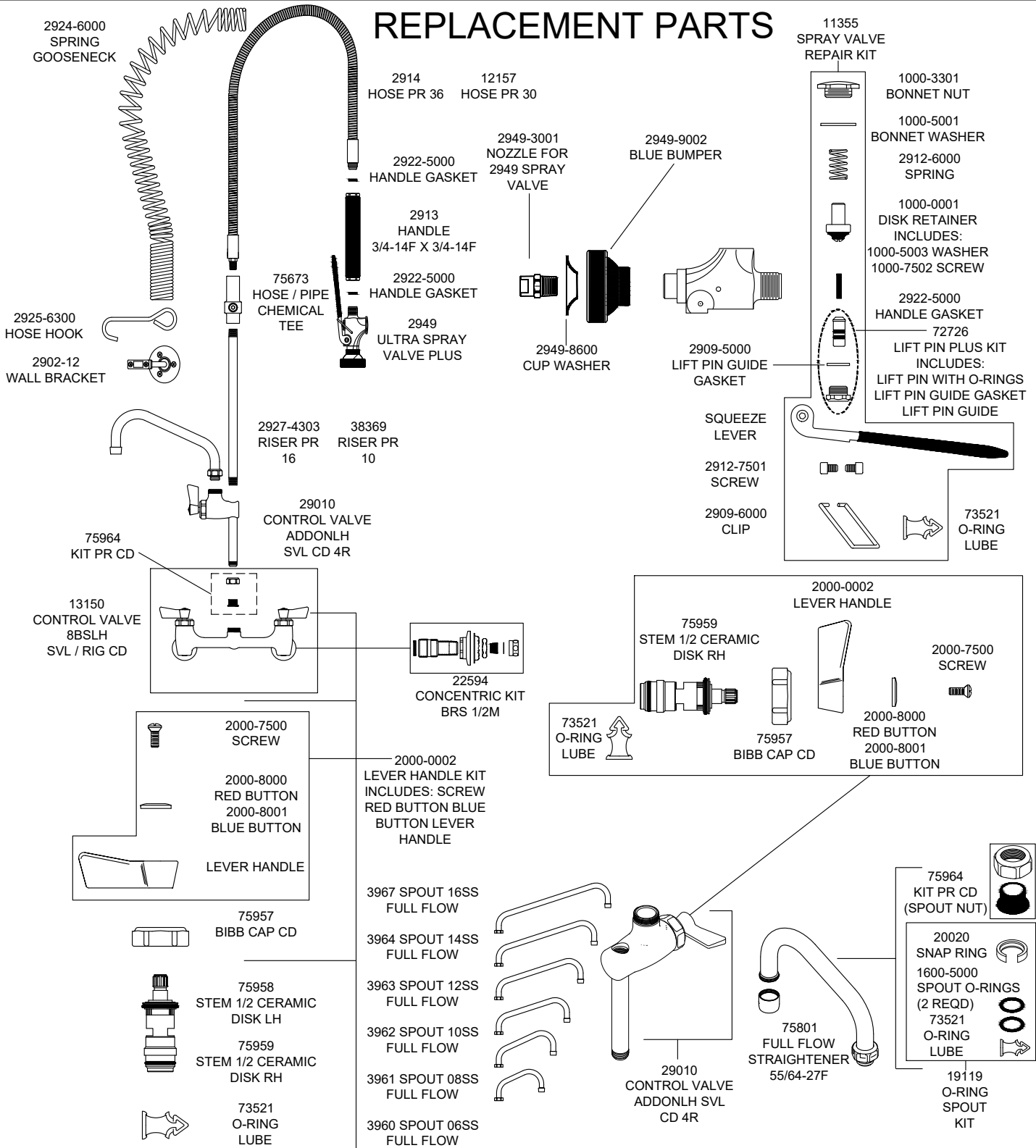


PRODUCT SPECIFICATIONS: PRE-RINSE, 8" BACKSPASH CONTROL VALVE, QUARTER TURN CERAMIC DISK CARTRIDGES W/ CHECK STEMS, LEVER HANDLES, SWING SPOUT W/ FULL FLOW STREAM STRAIGHTENER 12.5 GPM @ 60 PSI, 30" OR 36" STAINLESS STEEL HOSE, 1.15 GPM @ 60 PSI SPRAY VALVE, 12" WALL BRACKET, 1/2" NPT MALE INLETS

PRODUCT COMPLIANCE:  
ASME A112.18.1 / CSA B125.1  
NSF 61 - Section 9  
NSF 372 (Low Lead Content)  
2019 DOE PRSV - Class II

Customer/Wholesaler:	Date:	Job Name:	Model Specified:	Quantity:
Contractor:		Architect/Engineer:		

## REPLACEMENT PARTS



PRODUCT SPECIFICATIONS: PRE-RINSE, 8" BACKSPASH CONTROL VALVE, QUARTER TURN CERAMIC DISK CARTRIDGES W/ CHECK STEMS, LEVER HANDLES, SWING SPOUT W/ FULL FLOW STREAM STRAIGHTENER 12.5 GPM @ 60 PSI, 30" OR 36" STAINLESS STEEL HOSE, 1.15 GPM @ 60 PSI SPRAY VALVE, 12" WALL BRACKET, 1/2" NPT MALE INLETS

PRODUCT COMPLIANCE: ASME A112.18.1 / CSA B125.1 NSF 61 - Section 9 NSF 372 (Low Lead Content) 2019 DOE PRSV - Class II