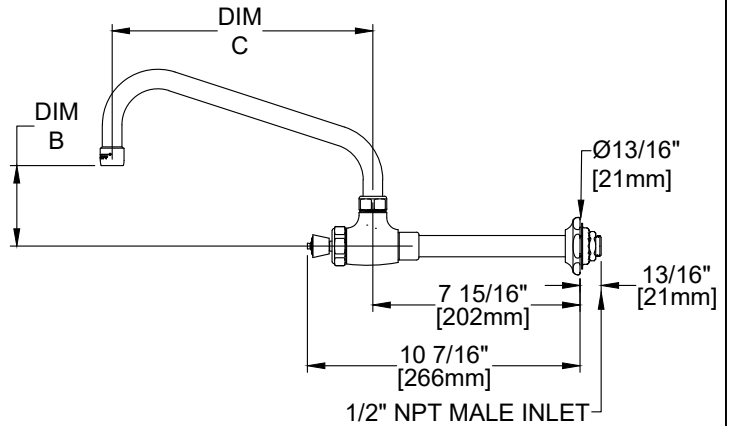
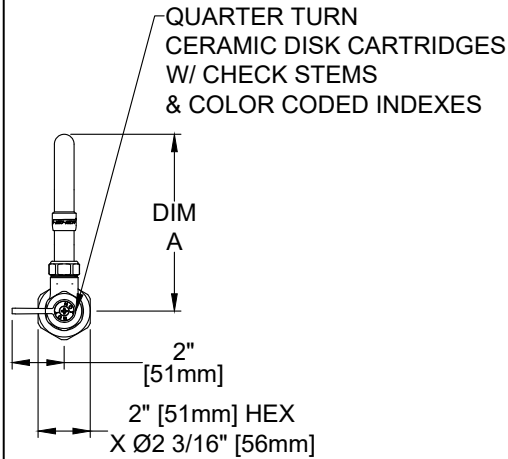
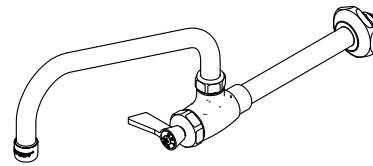
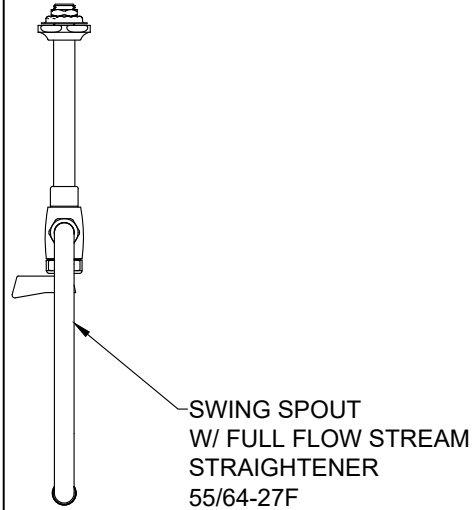


Customer/Wholesaler:	Date:	Job Name:	Model Specified:	Quantity:
Contractor:		Architect/Engineer:		



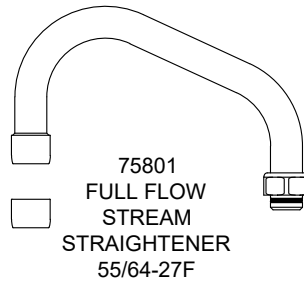
MODEL	DESCRIPTION	DIM A	DIM B	DIM C
47500	FAUCET CRCDLH 10SS	6 3/4" [172mm]	3 1/16" [78mm]	10" [254mm]
56000	FAUCET CRCDLH 12SS	7 7/16" [188mm]	3 3/4" [95mm]	12" [305mm]
36160	FAUCET CRCDLH 14SS	8 1/16" [205mm]	4 3/8" [111mm]	14" [356mm]

PRODUCT SPECIFICATIONS: CHINESE RANGE FAUCET, 1/2" X 7 5/8" NIPPLE, QUARTER TURN CERAMIC DISK CARTRIDGE W/ CHECK STEM, LEVER HANDLE, SWING SPOUT W/ FULL FLOW STREAM STRAIGHTENER 12.5 GPM @ 60 PSI, 1/2" NPT MALE INLET

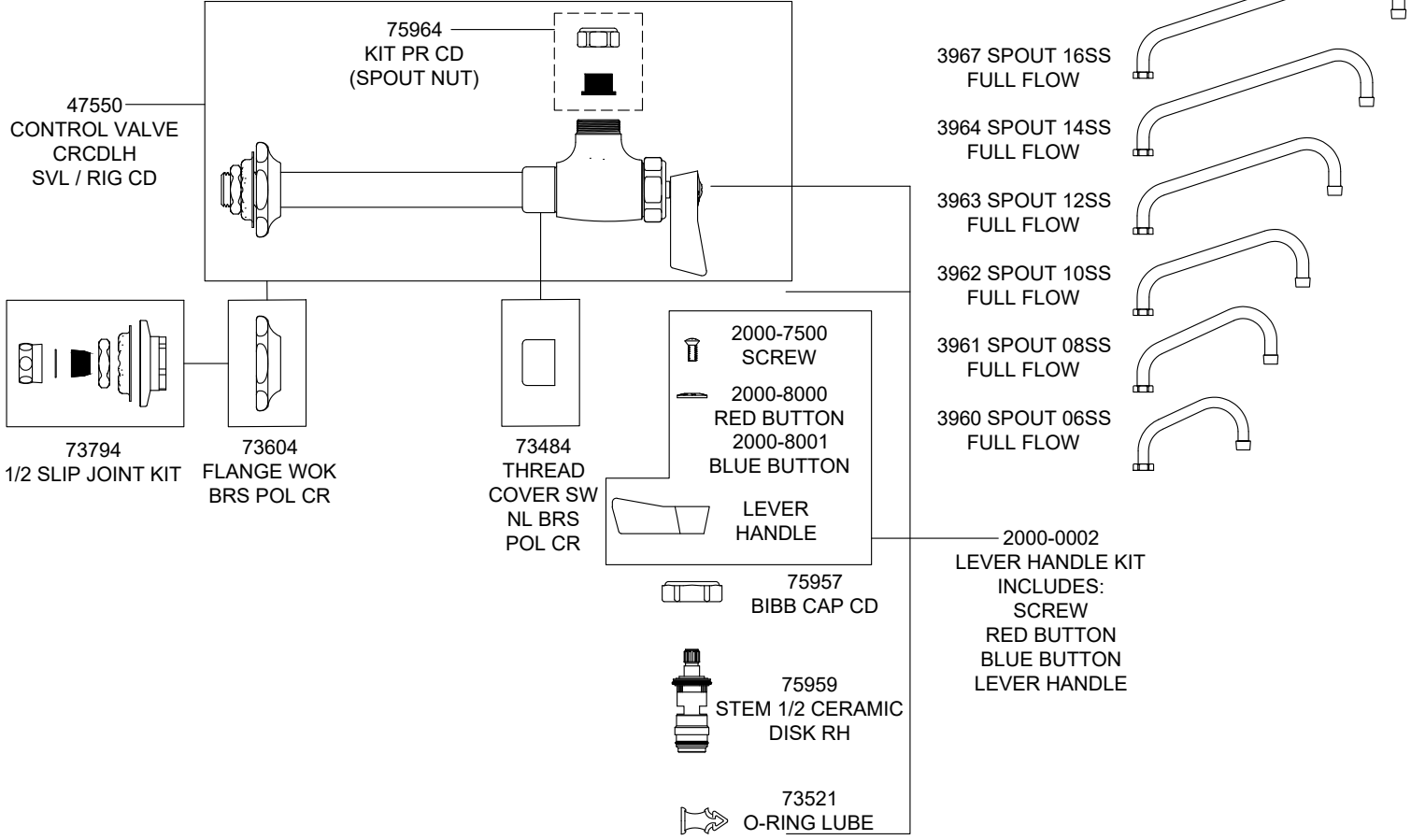
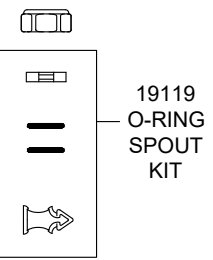
PRODUCT COMPLIANCE:  
ASME A112.18.1 / CSA B125.1  
NSF 61 - Section 9  
NSF 372 (Low Lead Content)

Customer/Wholesaler:	Date:	Job Name:	Model Specified:	Quantity:
Contractor:		Architect/Engineer:		

## REPLACEMENT PARTS



- 75964  
KIT PR CD  
(SPOUT NUT)
- 20020  
SNAP RING
- 1600-5000  
SPOUT O-RING  
(2 REQD)
- 73521  
O-RING LUBE



PRODUCT SPECIFICATIONS: CHINESE RANGE FAUCET, 1/2" X 7 5/8" NIPPLE, QUARTER TURN CERAMIC DISK CARTRIDGE W/ CHECK STEM, LEVER HANDLE, SWING SPOUT W/ FULL FLOW STREAM STRAIGHTENER 12.5 GPM @ 60 PSI, 1/2" NPT MALE INLET

PRODUCT COMPLIANCE:  
ASME A112.18.1 / CSA B125.1  
NSF 61 - Section 9  
NSF 372 (Low Lead Content)