



FISHER MANUFACTURING COMPANY TOLL FREE: 800-421-6162 - FAX: 800-832-8238
customer@fisherfaucets.com - www.fisherfaucets.com

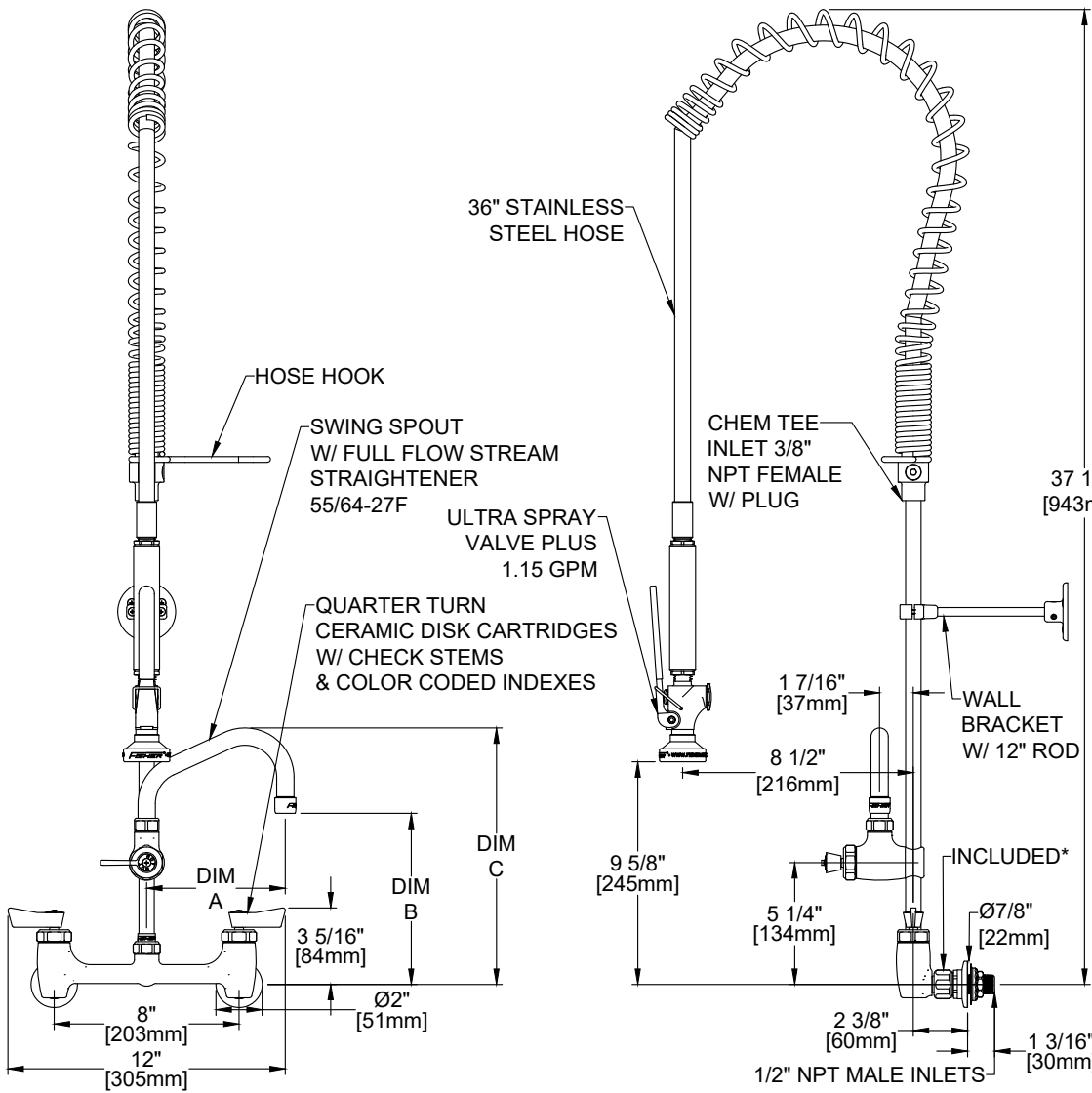
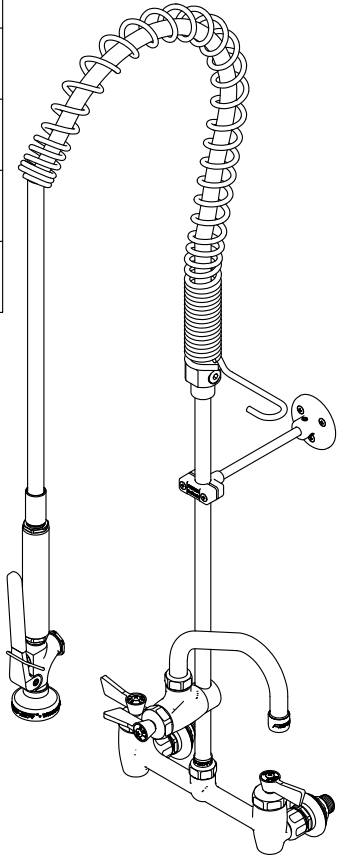
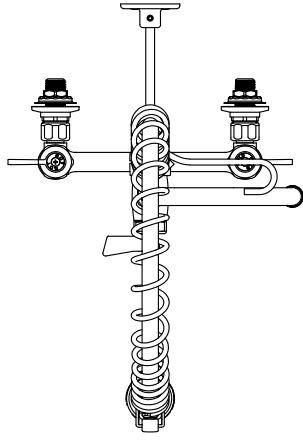
PRODUCT NAME:

PRERINSE SPG 8BSCDLH EZ SS

SPEC. PRCB-SPA-8BSZZLL

Customer/Wholesaler:	Date:	Job Name:	Model Specified:	Quantity:
Contractor:		Architect/Engineer:		

MODEL	DESCRIPTION	DIM A	DIM B	DIM C
48880	PRERINSE SPG 8BSCDLH EZ 06SS	6" [152mm]	7 3/8" [188mm]	11 1/8" [282mm]
48910	PRERINSE SPG 8BSCDLH EZ 12SS	12" [305mm]	9" [229mm]	12 11/16" [322mm]
48920	PRERINSE SPG 8BSCDLH EZ 14SS	14" [356mm]	9 11/16" [245mm]	13 3/8" [339mm]
48930	PRERINSE SPG 8BSCDLH EZ 16SS	16" [406mm]	10 5/16" [262mm]	14" [356mm]



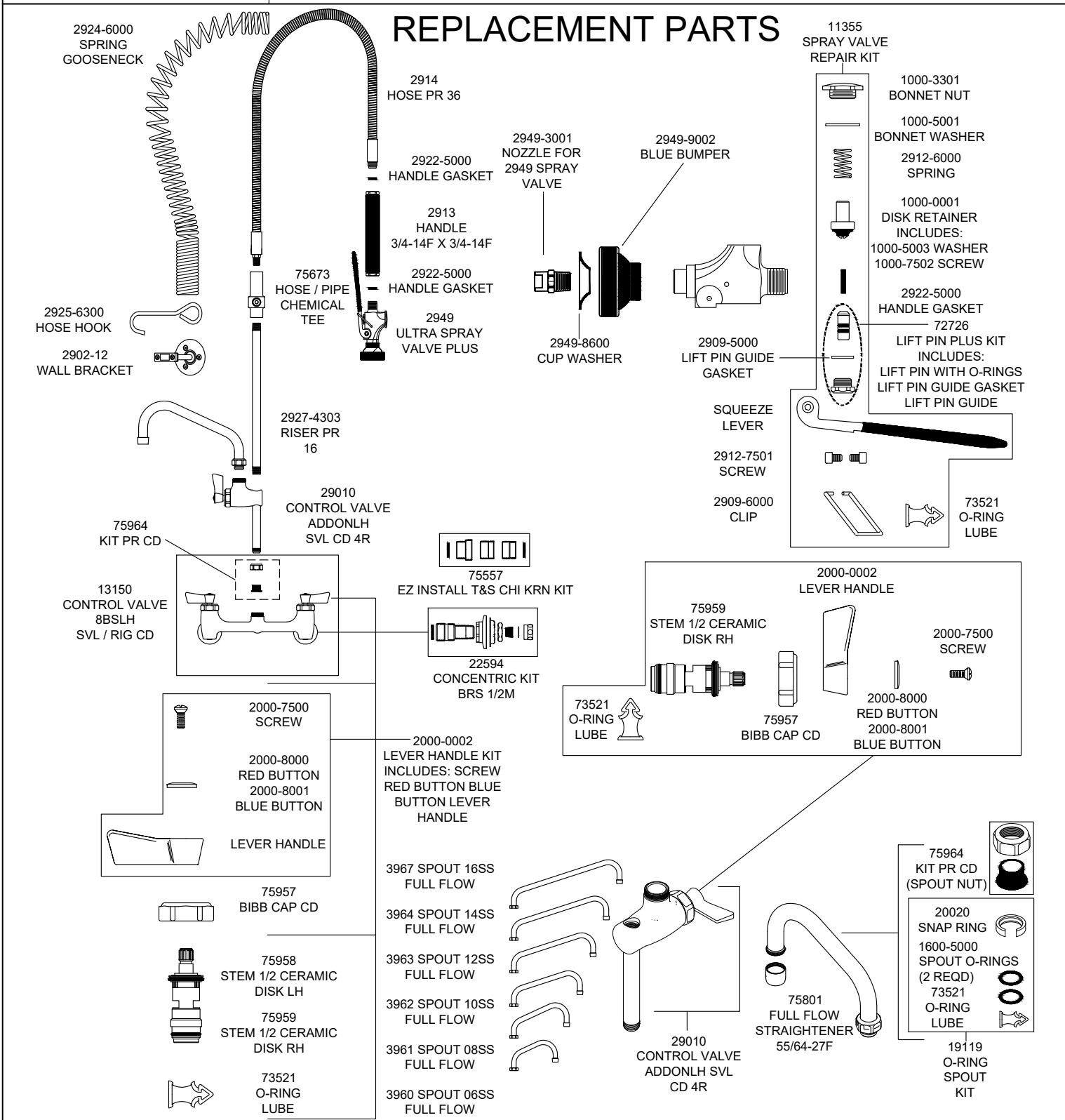
*EZ INSTALL ADAPTERS TO CONNECT TO EXISTING HARDWARE FOR T&S, CHICAGO, KROWNE, 1/2" NPT ECCENTRIC FEMALE FLANGES

PRODUCT SPECIFICATIONS: PRE-RINSE, 8" BACKSPASH CONTROL VALVE, QUARTER TURN CERAMIC DISK CARTRIDGES W/ CHECK STEMS, LEVER HANDLES, SWING SPOUT W/ FULL FLOW STREAM STRAIGHTENER 12.5 GPM @ 60 PSI, 36" STAINLESS STEEL HOSE, 1.15 GPM @ 60 PSI SPRAY VALVE, 12" WALL BRACKET, 1/2" NPT MALE INLETS, INCLUDES EZ INSTALL ADAPTERS

PRODUCT COMPLIANCE: ASME A112.18.1 / CSA B125.1 NSF 61 - Section 9 NSF 372 (Low Lead Content) 2019 DOE PRSV - Class II

Customer/Wholesaler:	Date:	Job Name:	Model Specified:	Quantity:
Contractor:		Architect/Engineer:		

REPLACEMENT PARTS



PRODUCT SPECIFICATIONS: PRE-RINSE, 8" BACKSPASH CONTROL VALVE, QUARTER TURN CERAMIC DISK CARTRIDGES W/ CHECK STEMS, LEVER HANDLES, SWING SPOUT W/ FULL FLOW STREAM STRAIGHTENER 12.5 GPM @ 60 PSI, 36" STAINLESS STEEL HOSE, 1.15 GPM @ 60 PSI SPRAY VALVE, 12" WALL BRACKET, 1/2" NPT MALE INLETS, INCLUDES EZ INSTALL ADAPTERS

PRODUCT COMPLIANCE: ASME A112.18.1 / CSA B125.1 NSF 61 - Section 9 NSF 372 (Low Lead Content) 2019 DOE PRSV - Class II