

# FISHER<sup>®</sup>

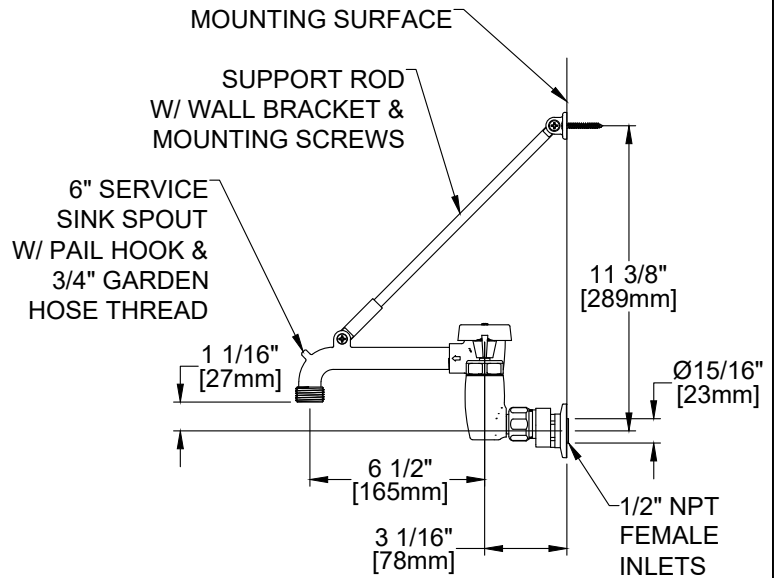
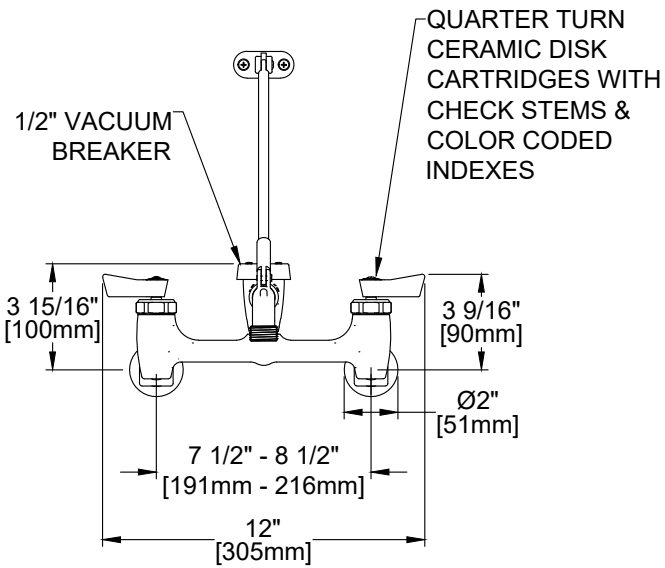
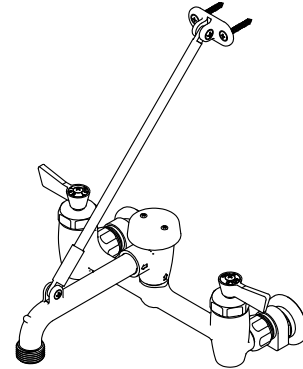
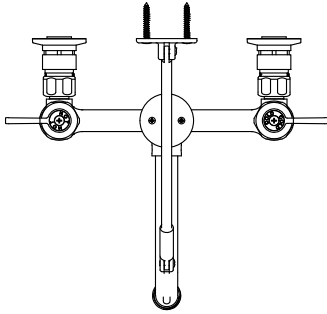
FISHER MANUFACTURING COMPANY TOLL FREE: 800-421-6162 - FAX: 800-832-8238  
customer@fisherfaucets.com - www.fisherfaucets.com

PRODUCT NAME:

FAUCET 8AWCDLH 06SRV

SPEC. FACB-SSL-8AWLL

Customer/Wholesaler:	Date:	Job Name:	Model Specified: 19790	Quantity:
Contractor:	Architect/Engineer:			



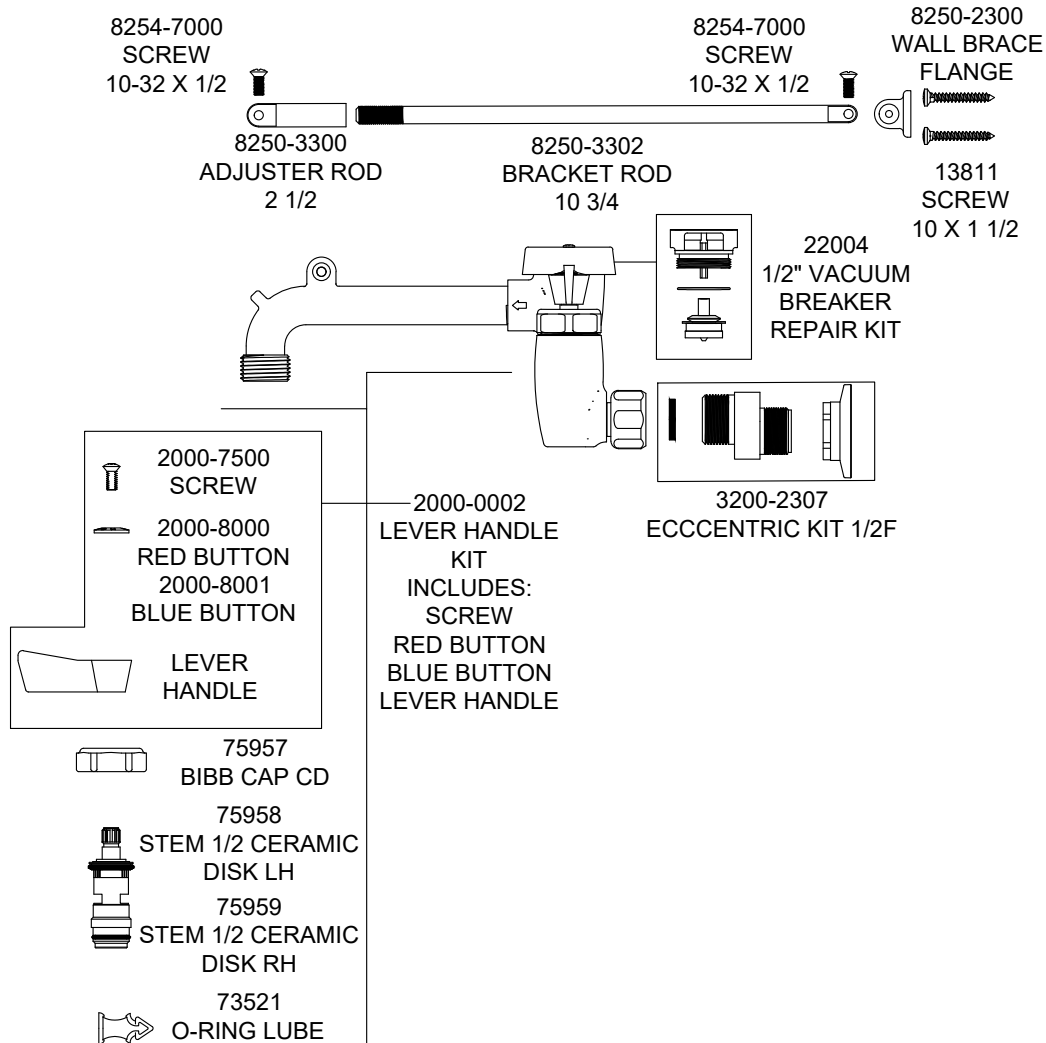
PRODUCT SPECIFICATIONS: 8" ADJUSTABLE WALL FAUCET, QUARTER TURN CERAMIC DISK CARTRIDGES W/ CHECK STEMS, LEVER HANDLES, 6" SERVICE SINK SPOUT W/ VACUUM BREAKER 11.5 GPM @ 60 PSI, 1/2" NPT FEMALE INLETS

PRODUCT COMPLIANCE:  
ASME A112.18.1 / CSA B125.1  
NSF 61 - Section 9  
NSF 372 (Low Lead Content)

Drawn: LC	Checked: EM	Approved: LC	Date: 08/30/24	Sheet: 1 of 2
-----------	-------------	--------------	----------------	---------------

Customer/Wholesaler:	Date:	Job Name:	Model Specified: 19790	Quantity:
Contractor:		Architect/Engineer:		

## REPLACEMENT PARTS



PRODUCT SPECIFICATIONS: 8" ADJUSTABLE WALL FAUCET, QUARTER TURN CERAMIC DISK CARTRIDGES W/ CHECK STEMS, LEVER HANDLES, 6" SERVICE SINK SPOUT W/ VACUUM BREAKER 11.5 GPM @ 60 PSI, 1/2" NPT FEMALE INLETS

PRODUCT COMPLIANCE:  
ASME A112.18.1 / CSA B125.1  
NSF 61 - Section 9  
NSF 372 (Low Lead Content)