

# FISHER<sup>®</sup>

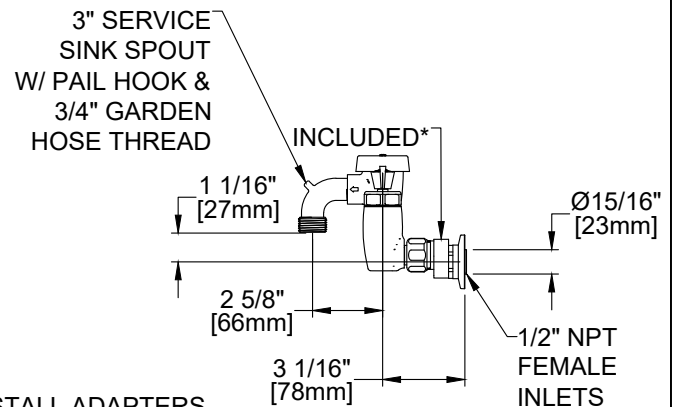
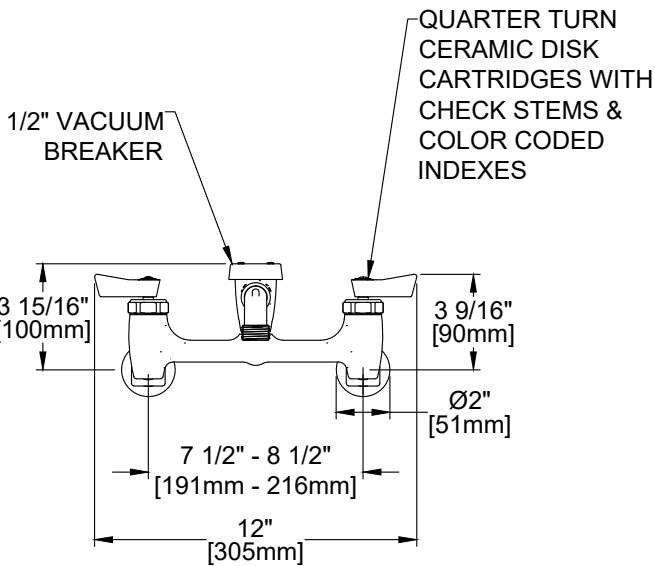
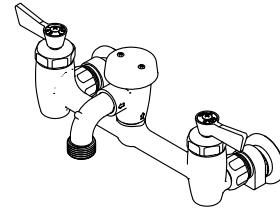
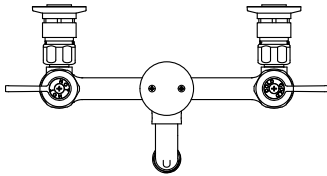
FISHER MANUFACTURING COMPANY TOLL FREE: 800-421-6162 - FAX: 800-832-8238  
customer@fisherfaucets.com - www.fisherfaucets.com

PRODUCT NAME:

FAUCET 8AWCDZLH 03SRV

SPEC. FACB-SSS-8AWZZLL

Customer/Wholesaler:	Date:	Job Name:	Model Specified: 19820	Quantity:
Contractor:	Architect/Engineer:			



\*EZ INSTALL ADAPTERS TO CONNECT TO EXISTING HARDWARE FOR T&S, CHICAGO, KROWNE, 1/2" NPT ECCENTRIC FEMALE FLANGES

PRODUCT SPECIFICATIONS: 8" ADJUSTABLE WALL FAUCET, QUARTER TURN CERAMIC DISK CARTRIDGES W/ CHECK STEMS, LEVER HANDLES, 3" SERVICE SINK SPOUT W/ VACUUM BREAKER 11.5 GPM @ 60 PSI, 1/2" NPT FEMALE INLETS, INCLUDES EZ INSTALL ADAPTERS

PRODUCT COMPLIANCE:  
ASME A112.18.1 / CSA B125.1  
NSF 61 - Section 9  
NSF 372 (Low Lead Content)



FISHER MANUFACTURING COMPANY TOLL FREE: 800-421-6162 - FAX: 800-832-8238  
customer@fisherfaucets.com - www.fisherfaucets.com

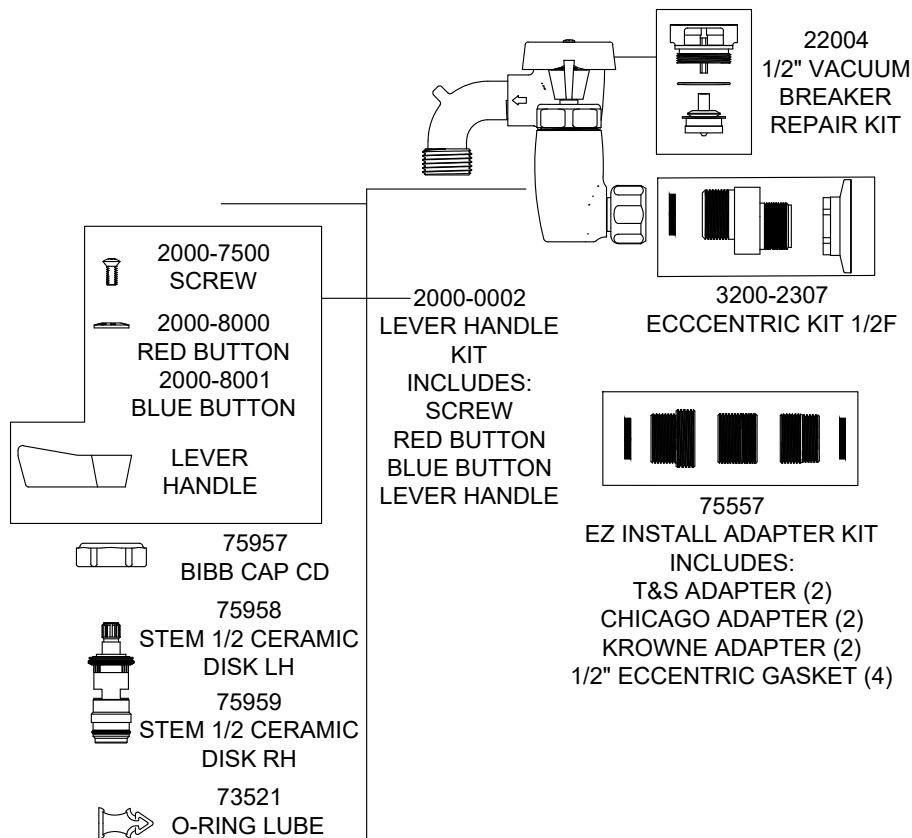
PRODUCT NAME:

FAUCET 8AWCDZLH 03SRV

SPEC. FACB-SSS-8AWZZLL

Customer/Wholesaler:	Date:	Job Name:	Model Specified: 19820	Quantity:
Contractor:		Architect/Engineer:		

## REPLACEMENT PARTS



PRODUCT SPECIFICATIONS: 8" ADJUSTABLE WALL FAUCET, QUARTER TURN CERAMIC DISK CARTRIDGES W/ CHECK STEMS, LEVER HANDLES, 3" SERVICE SINK SPOUT W/ VACUUM BREAKER 11.5 GPM @ 60 PSI, 1/2" NPT FEMALE INLETS, INCLUDES EZ INSTALL ADAPTERS

PRODUCT COMPLIANCE:  
ASME A112.18.1 / CSA B125.1  
NSF 61 - Section 9  
NSF 372 (Low Lead Content)