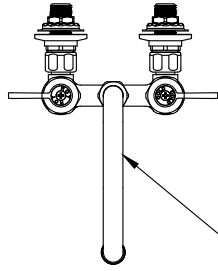
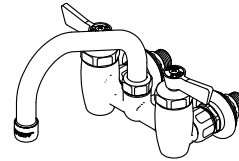


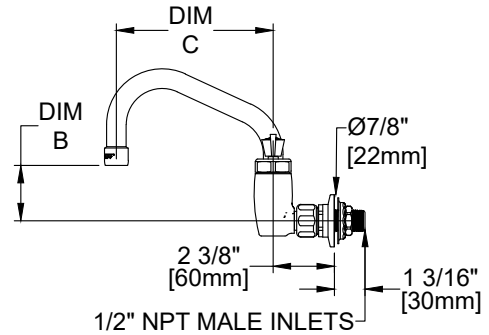
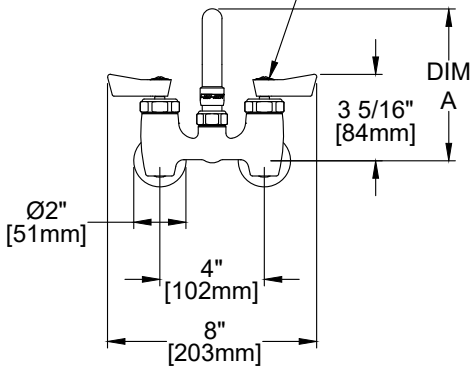
Customer/Wholesaler:	Date:	Job Name:	Model Specified:	Quantity:
Contractor:		Architect/Engineer:		



SWING SPOUT  
W/ FULL FLOW STREAM  
STRAIGHTENER  
55/64-27F



QUARTER TURN  
CERAMIC DISK CARTRIDGES  
W/ CHECK STEMS  
& COLOR CODED INDEXES



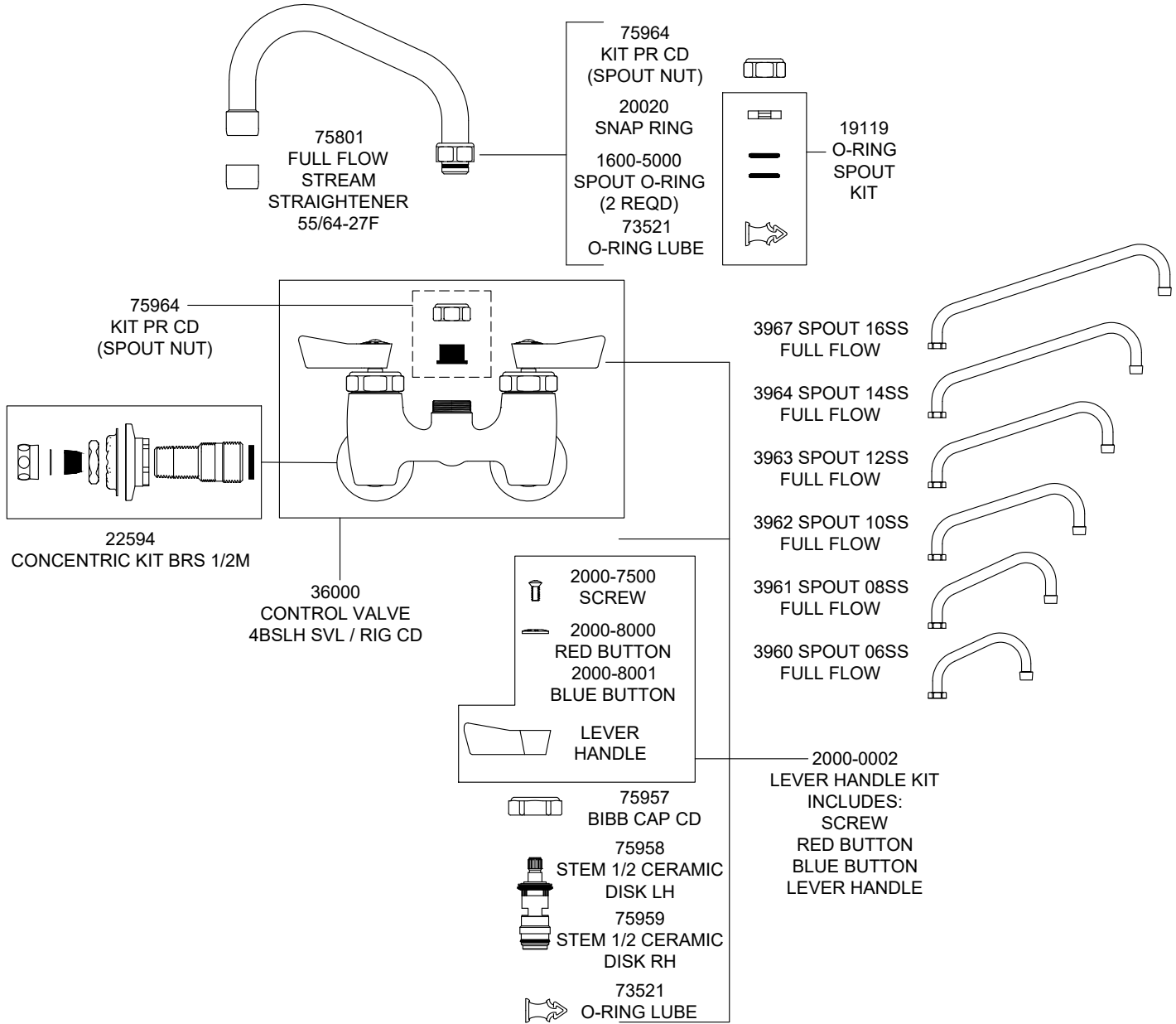
MODEL	DESCRIPTION	DIM A	DIM B	DIM C
36100	FAUCET 4BSCDLH 06SS	5 13/16" [148mm]	2 1/8" [54mm]	6" [152mm]
36130	FAUCET 4BSCDLH 12SS	7 7/16" [188mm]	3 11/16" [94mm]	12" [305mm]

PRODUCT SPECIFICATIONS: 4" BACKSPASH FAUCET, QUARTER TURN CERAMIC DISK CARTRIDGES W/ CHECK STEMS, LEVER HANDLES, SWING SPOUT W/ FULL FLOW STREAM STRAIGHTENER 12.5 GPM @ 60 PSI, 1/2" NPT MALE INLETS

PRODUCT COMPLIANCE:  
ASME A112.18.1 / CSA B125.1  
NSF 61 - Section 9  
NSF 372 (Low Lead Content)

Customer/Wholesaler:	Date:	Job Name:	Model Specified:	Quantity:
Contractor:		Architect/Engineer:		

## REPLACEMENT PARTS



PRODUCT SPECIFICATIONS: 4" BACKSPASH FAUCET, QUARTER TURN CERAMIC DISK CARTRIDGES W/ CHECK STEMS, LEVER HANDLES, SWING SPOUT W/ FULL FLOW STREAM STRAIGHTENER 12.5 GPM @ 60 PSI, 1/2" NPT MALE INLETS

PRODUCT COMPLIANCE:  
ASME A112.18.1 / CSA B125.1  
NSF 61 - Section 9  
NSF 372 (Low Lead Content)