

General Information

Project Name: _____

Consultant: _____

Item #: _____

Model #: _____

Quantity: _____



Specifications

DIS Model One Compartment Drop In Hand Sink is constructed of 18GA Type 304 stainless steel, with 4" O.C. deck mount. Sink bowl is deep drawn and built-in pitch to 3½" waste outlet. Sink bowl is 10" x 14" x 5" **(-5 Models)** or 10" x 14" x 9" **(-9 Models)**.

Three sided splash guards are available on **-SS models**.

Unit includes basket drain with crumb cup.

Product Guide

DIS Hand Sinks are dual designed for Institutional and Commercial applications. For use in kitchens and public areas, with abuse resistant features, such as integral apron, multi-point mounting surfaces and high quality faucets.

Options are designed to make the sink suitable for a variety of locations throughout the facility, such as prep areas, administrative, receiving and shipping and public areas.

Options

- See p.66-68 of Price Book for Additional Accessories

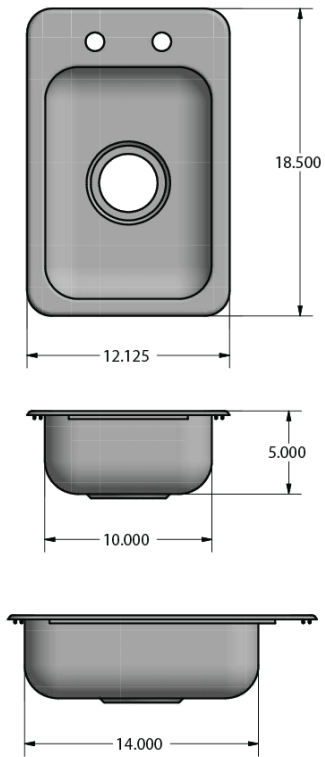
ONE COMPARTMENT DROP IN HAND SINKS - DIS

Sink Only Models	Faucet Mounting	Sink w/ Faucet Models	Overall Size	Bowl Size
□ DIS-5-DX	2 Hole Deck	□ DIS-5-D	12¼" x 18" x 5"	10" x 14" x 5"
□ DIS-5-SSX	2 Hole Deck (w/ Side Splashes)	□ DIS-5-SS	18½" x 12¾" x 10½"	10" x 14" x 5"
□ DIS-9-DX	2 Hole Deck	□ DIS-9-D	18" x 12" x 9¾"	10" x 14" x 9"
□ DIS-9-SSX	2 Hole Deck (w/ Side Splashes)	□ DIS-9-SS	18¾" x 12¾" x 15¼"	10" x 14" x 9"

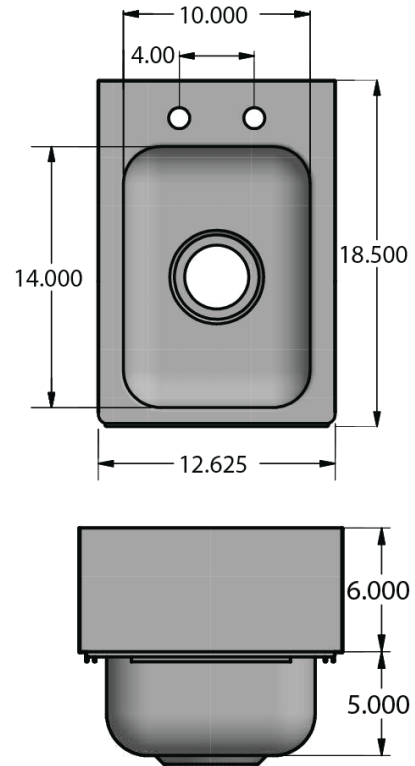


DRAWINGS

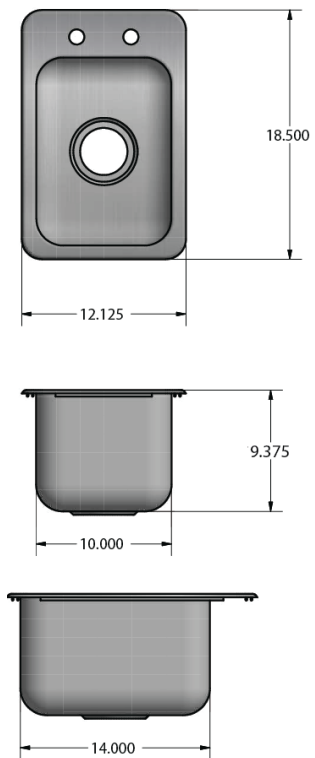
DIS-5-DX



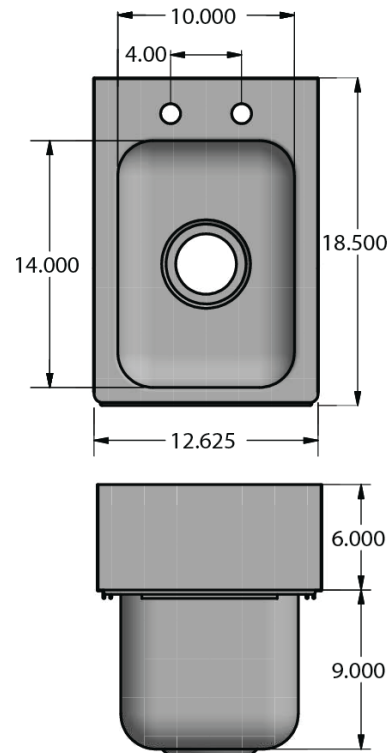
DIS-5-SSX



DIS-9-DX



DIS-9-SSX



Specifications subject to change without notice.

DIS-20 0524