



Project: _____
Model: _____ Series #: _____
Dealer: _____ Quantity#: _____
Delivery address: _____
Date: _____

6 burners Gas range with oven

Model#RGR36



Features

- Fully MIG welded frame for stability
- Stainless steel front, back-riser, galvanized sides
- Six open top burners, each 30,000 BTU/hr
- Coved pilot burner cover to prevent clogging from spillage
- Stainless steel pilot for durability
- Heavy duty cast grates, 12"x12" (30x30cm) in size, easy to be removed
- Pull out crumb tray with rounded edges to prevent heat transfer
- 31,000 BTU/hr U-shape burner for bottom oven
- Full size sheet pans fit side-to-side or front-to-back
- Oven thermostat adjusts from 250°F to 550°F
- Two oven racks and four rack positions
- Optional with castors

WARRANTY:

- 2 Years Parts and Labor
- Westlake is responsible for components failure, but is not responsible for improper operation failure and artificial damage.



Conforms to UL&NSF-7 Standards





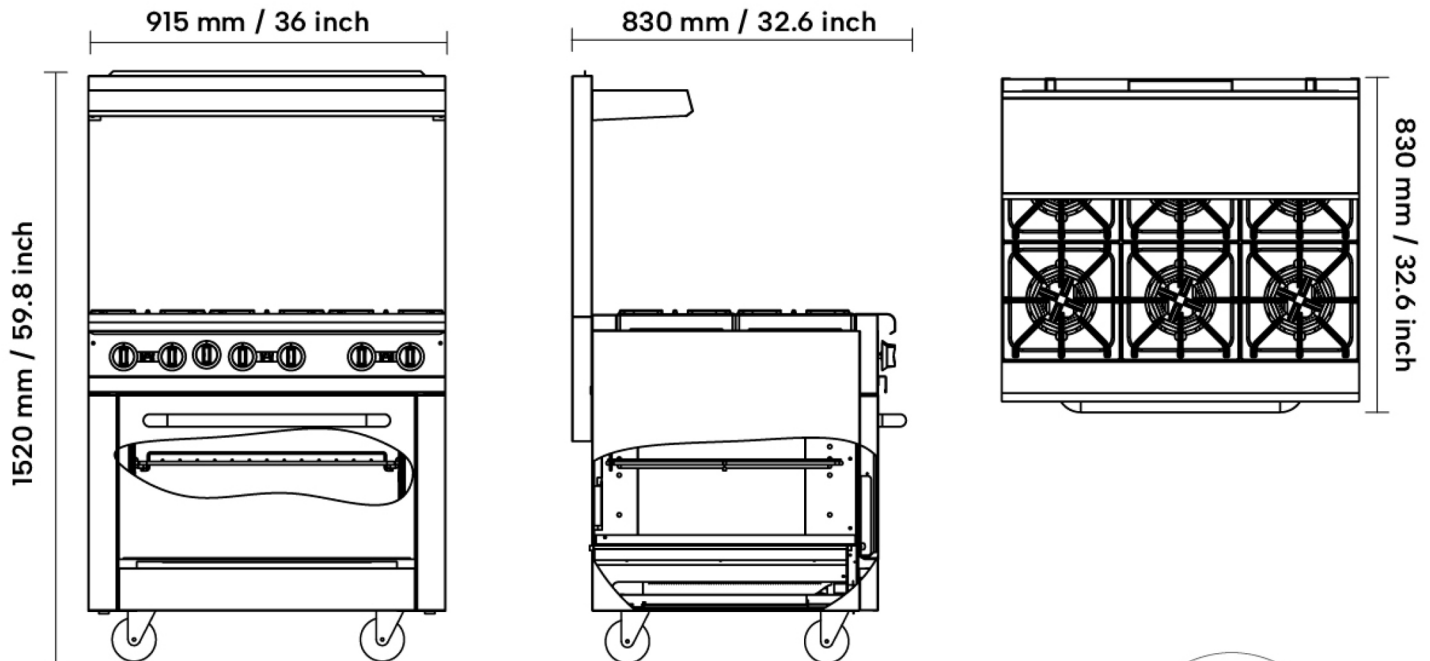
6 burners Gas range with oven

Model#RGR36

TECHNICAL DATA

Model	RGR36
Power	210,000 BTU/hr
Buners	6
Dimensions	36x32.6x59.8 inch
Packing Dimension	40.9x40.6x35 inch
Net Weight	368 lbs
Gross Weight	456 lbs
Default Gas	Natural Gas

PLAN VIEW



NG And LPG
are optional