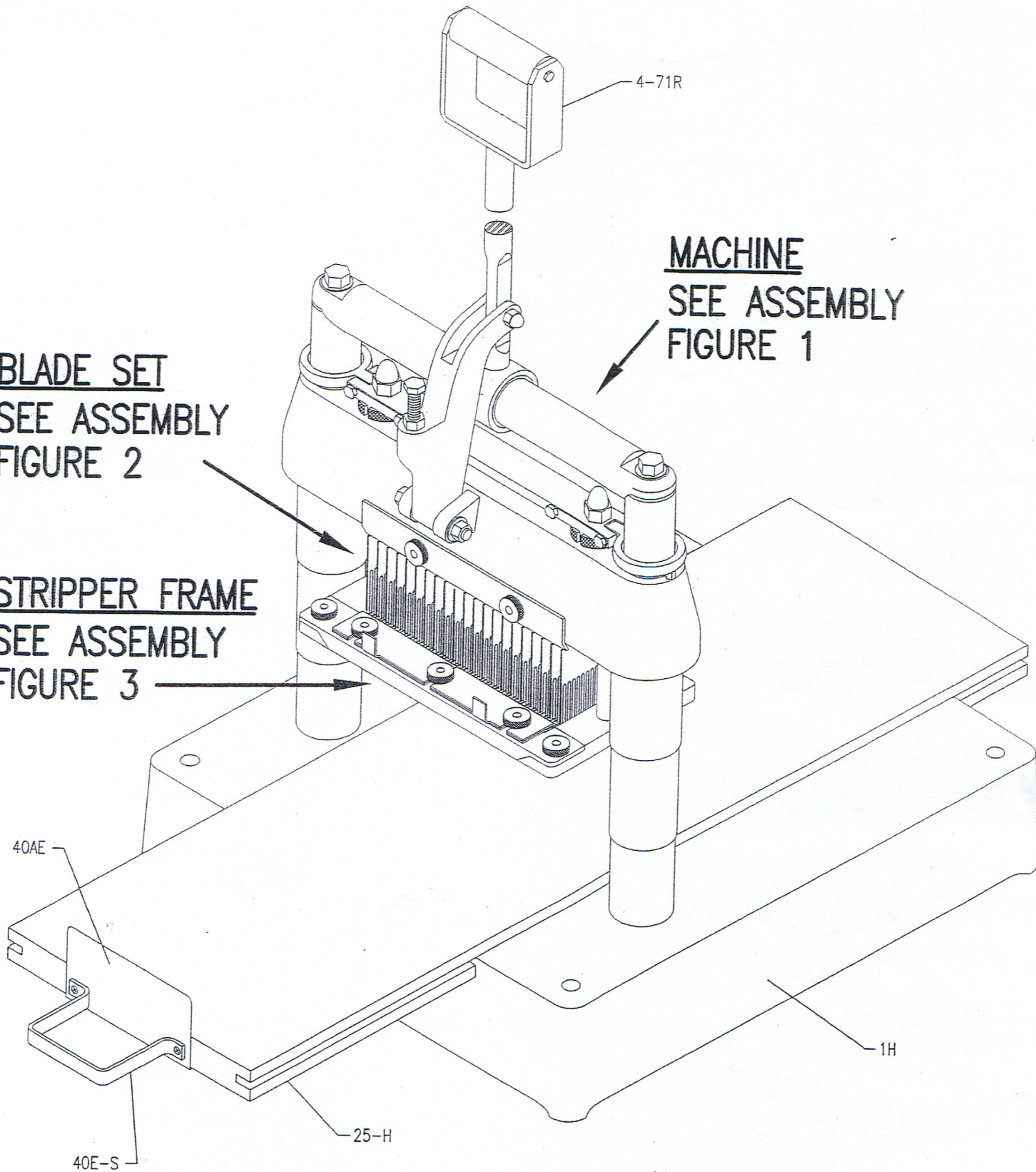


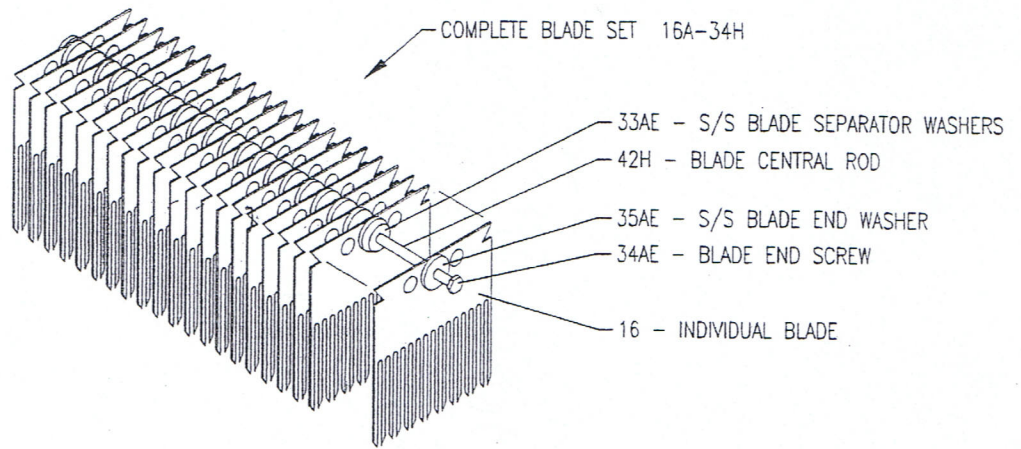
BLADE SET
SEE ASSEMBLY
FIGURE 2

STRIPPER FRAME
SEE ASSEMBLY
FIGURE 3

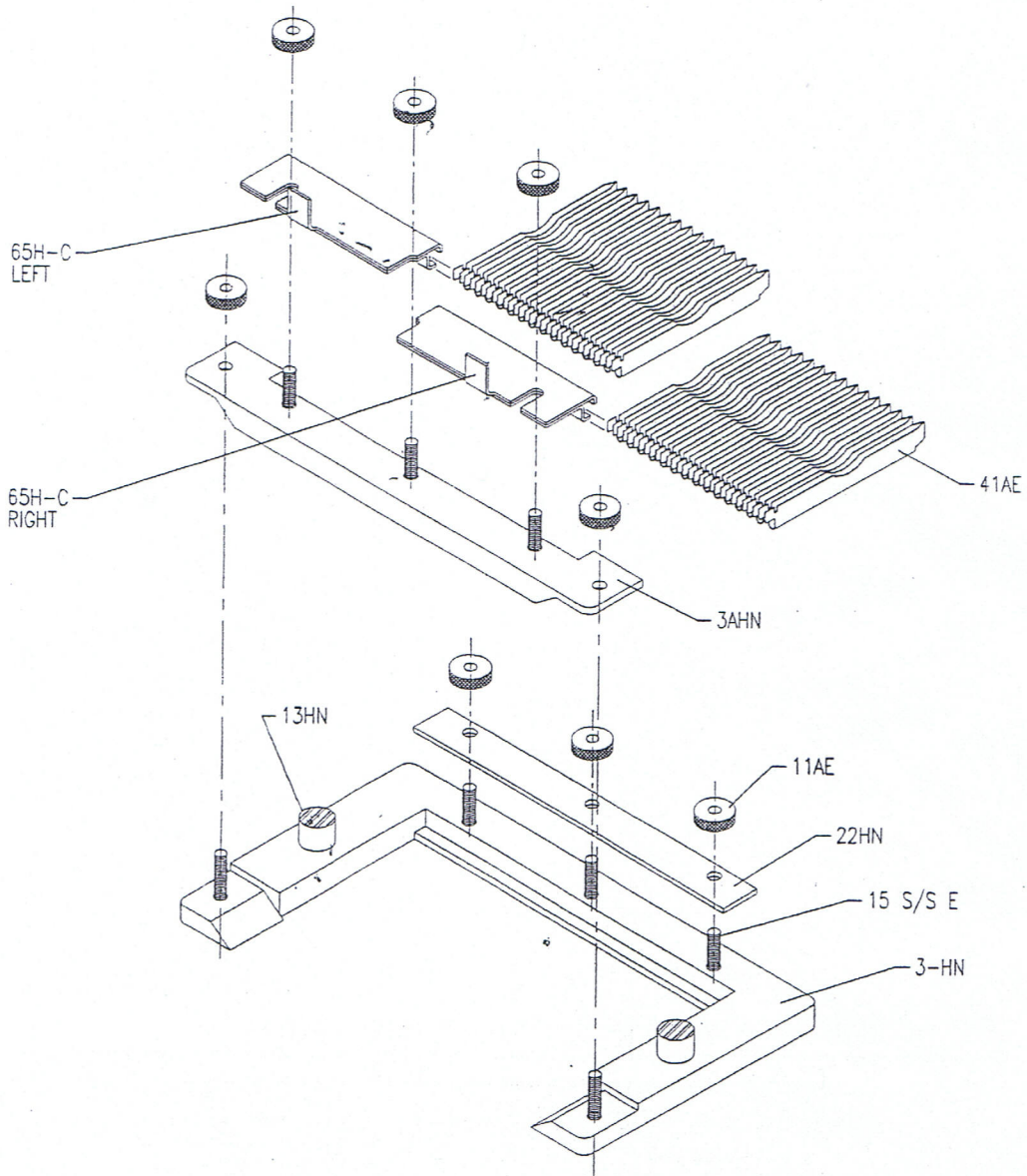
MACHINE
SEE ASSEMBLY
FIGURE 1



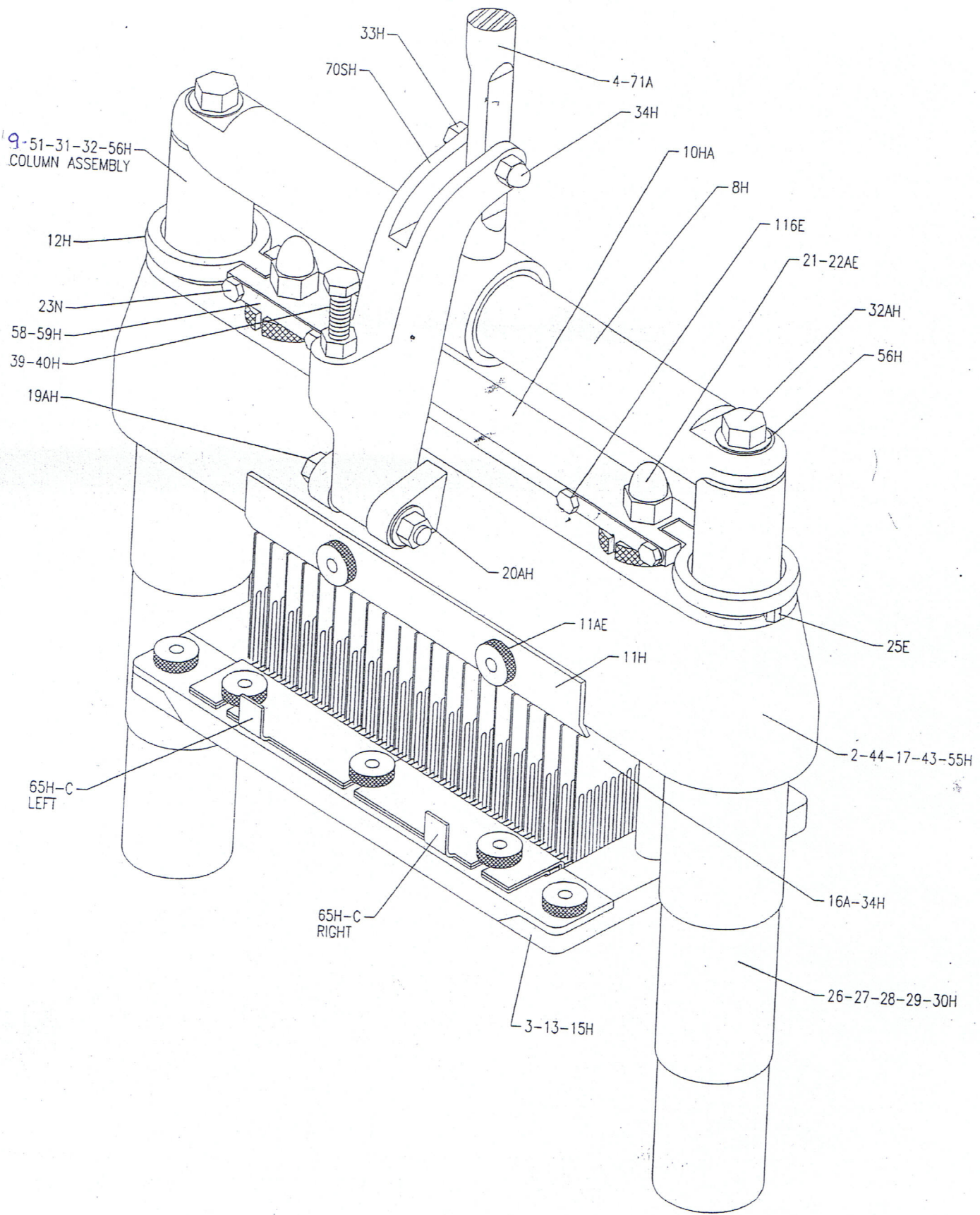
COMPLETE ASSEMBLY



ASSEMBLY - FIGURE 2



ASSEMBLY - FIGURE 3



ASSEMBLY - FIGURE 1