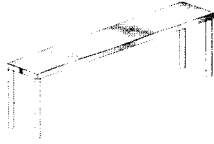
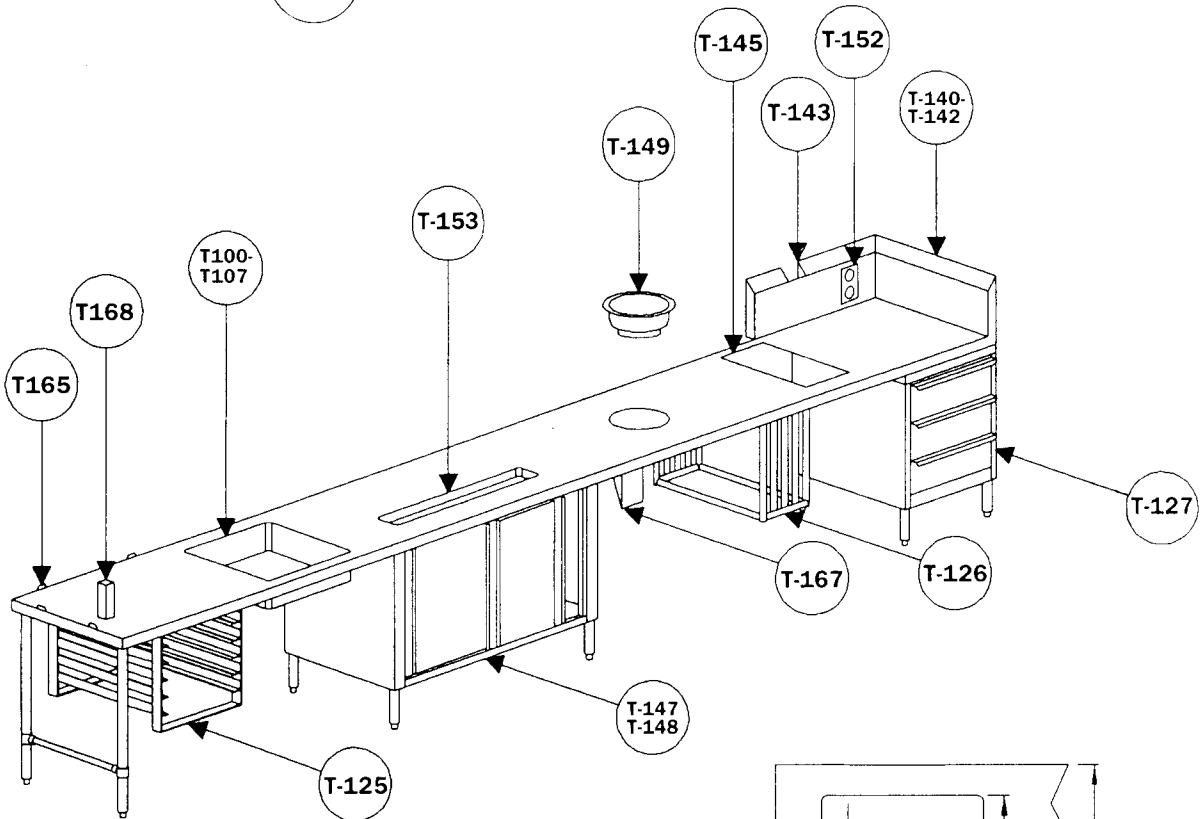


TABLE ACCESSORIES & OPTIONS

AERO



NSF



NSF BOWLS WELDED TO TABLE

COMPLETE WITH BASKET & DECK MOUNT GOOSENECK FAUCET

| Model # | A Width | B Length | Bowl Depth |
|---------|------------|-------------|---------------|
| T-100 | 21 | 16 | 8 |
| T-101 | 21 | 16 | 14 |
| T-102 | 20 | 20 | 8 |
| T-103 | 20 | 20 | 14 |
| T-104 | 24 | 24 | 14 |
| T-105 | 20 | 30 | 14 |
| T-106 | 10 | 14 | 5 |
| T-107 | 10 | 14 | 10 |

ACCESSORIES

| Model # | Description |
|---------|---|
| T-125 | Set Pan Rack Slides |
| T-126 | S/S Tubular Tray Divider Per Section |
| T-127 | 3 Tier Drawer Unit |
| T-140 | 2 1/4" Side Splash (per lin ft.) |
| T-141 | 4" Side Splash (per lin ft.) |
| T-142 | 10" Side Splash (per lin ft.) |
| T-143 | Splash Cut Out (per hole) |
| T-145 | Top Cut Out (per hole) |
| T-147 | Enclosed Base S/S (per lin ft.) |
| T-148 | Sliding Doors S/S (per lin ft.) |
| T-149 | Installation Of Disposal Cone (by others) |
| T-152 | Duplex Recepticle Splash Mount |
| T-153 | Urn Trough Per Linear Ft. (3 Ft. Min.) |
| T-165 | Poly Retaining Clips (S/S table) |
| T-167 | S/S Control Panel |
| T-168 | Can Opener Provision |

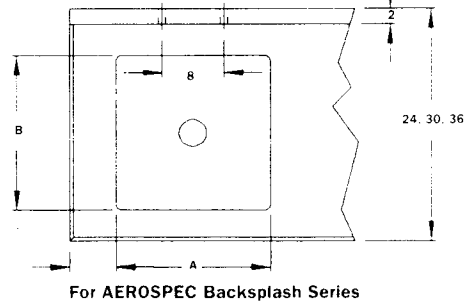
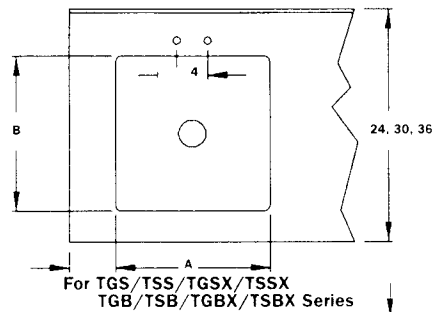
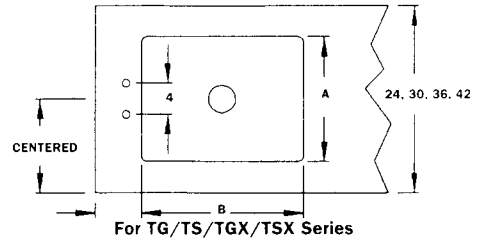


TABLE ACCESSORIES & OPTIONS

AERO



NSF BOWLS WELDED TO TABLE

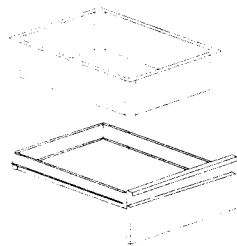
COMPLETE WITH BASKET & DECK MT GOOSENECK FAUCET

| Model # | A Width | B Length | Bowl Depth |
|---------|------------|-------------|---------------|
| T-100 | 21 | 16 | 8 |
| T-101 | 21 | 16 | 14 |
| T-102 | 20 | 20 | 8 |
| T-103 | 20 | 20 | 14 |
| T-104 | 24 | 24 | 14 |
| T-105 | 20 | 30 | 14 |
| T-106 | 10 | 14 | 5 |
| T-107 | 10 | 14 | 10 |

FAUCETS FOR ABOVE BOWLS

| Model # | Description |
|---------|---|
| T-108 | Gooseneck Deck Flat Top Tables (CH) |
| T-109 | 12" Splash Faucet, 10" Splash Tables (CH) |
| T-110 | Gooseneck Splash (CH) |
| T-111 | H D Gooseneck Deck (T & S) |
| T-112 | H D Gooseneck Splash (T & S) |
| T-113 | Deck MT For Two Bowls (CH) |
| T-114 | H D Deck MT For Two Bowls (T & S) |
| T-115 | 2" Twist Type Leverwaste (CH) |
| T-116 | 2" Twist Type Leverwaste w/ Overflow (CH) |
| T-117 | Leverwaste Brackets |

DRAWERS



DELUXE DRAWERS (S/S FACE, ROLLER BEARING SLIDES)

| Model # | Description |
|---------|----------------|
| T-118 | SSD-RB 15 x 20 |
| T-119 | SSD-RB 20 x 20 |

BUDGET DRAWERS (S/S LIP PULL, FRICTION SLIDES)

| Model # | Description |
|---------|-----------------------------|
| T-120 | SSD-FR 15 x 20 |
| T-121 | SSD-FR 20 x 20 |
| T-122 | Lock Assembly (Deluxe only) |
| T-123 | Drawer Enclosure |

ACCESSORIES

| Model # | Description |
|---------|--------------------------------------|
| T-124 | Poly Board Storage Bracket |
| T-125 | Set Pan Rack Slides |
| T-126 | S/S Tubular Tray Divider Per Section |
| T-127 | 3 Tier Drawer Unit |

CASTERS (4" Non-Marking Rubber)

| Model # | Description |
|---------|--------------------------------------|
| T-128 | Set of 4 (2 w/ Brakes, 2 w/o Brakes) |
| T-129 | For Set With 4 Brakes |
| T-130 | Set of 6 (2 w/ Brakes, 4 w/o Brakes) |
| T-131 | For Set With 6 Brakes |

ACCESSORIES

| Model # | Description |
|---------|--|
| T-132 | White Metal Foot |
| T-133 | S/S Foot |
| T-134 | Flanged Metal Foot |
| T-135 | Flanged S/S Foot |
| T-136 | Galvanized Leg w/ Plastic Foot |
| T-137 | S/S Leg w/ Plastic Foot |
| T-138 | Welded Set Up (per table) |
| T-139 | Crating (per table) |
| T-140 | 2 1/4" Side Splash (per lin ft.) |
| T-141 | 4" Side Splash (per lin ft.) |
| T-142 | 10" Side Splash (per lin ft.) |
| T-143 | Splash Cut Out (per hole) |
| T-144 | Special Working Height |
| T-145 | Top Cut Out (per hole) |
| T-146 | Scrap Chute |
| T-147 | Enclosed Base S/S (per lin ft.) |
| T-148 | Sliding Doors S/S (per lin ft.) |
| T-149 | Installation Of Disposal Cone (cone by others) |
| T-150 | Lock Assembly (for doors only) |
| T-151 | Duplex Recepticle Flat Top Mount |
| T-152 | Duplex Recepticle Splash Mount |
| T-153 | Urn Trough Per Linear Ft. (3 Ft. Min.) |
| T-154 | Aero Poly Cutting Boards (per sq ft.) |
| T-155 | 16 GA 304 Upgrade For SU (per lin ft.) |
| T-156 | Removable Shelving (option to GU & SU) |
| T-157 | Lug Holder |
| T-158 | Platter Rack |
| T-159 | Bin Stops (per table) |
| T-160 | Heat Lamp Brackets (mounted by others) |
| T-161 | Spice Bin (includes brackets) |
| T-162 | Plated Pot Hook |
| T-163 | S/S Pot Hook |
| T-164 | Enclosed Backsplash (per lin ft.) |
| T-165 | Poly Retaining Clips (S/S table only) |
| T-166 | 10" Apron (in front of sink) per Lin Ft. |
| T-167 | S/S Control Panel |
| T-168 | Can Opener Provision |