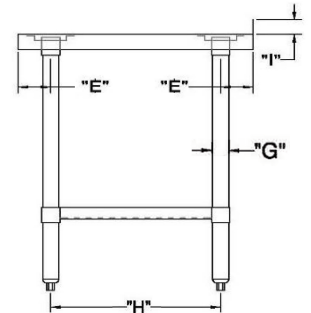
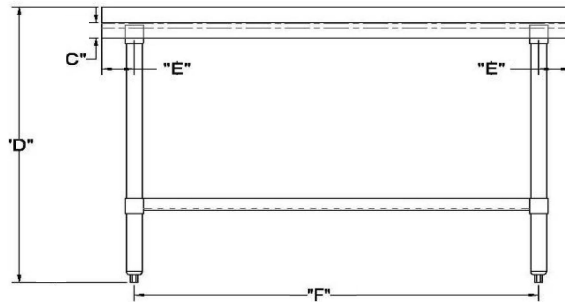
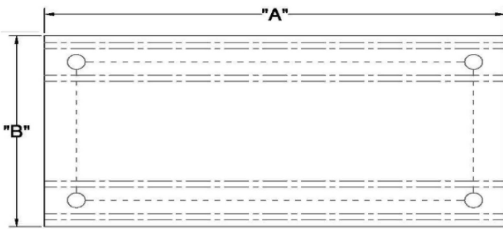


16 Gauge Stainless Steel Open Base Worktable with Splash Guard



- Made of 16-gauge, 304 Stainless Steel
- Open Base makes it Easy to Store Ingredient Bins or add Custom Shelving Underneath.
- 1" Adjustable stainless steel bullet feet for added stability
- A 2" (I) Tall Backsplash is included to keep your Walls Clean



| ITEM | TABLE LENGTH (A) | TABLE DEPTH (B) | TABLETOP THICKNESS (C) | OVERALL HEIGHT (D) | OVERHANG (E) | Ø 8" ± 0.005" (G) | FRONT-BACK LENGTH (H) | RIGHT-LEFT LENGTH (F) |
|----------------------|------------------|-----------------|------------------------|--------------------|--------------|-------------------|-----------------------|-----------------------|
| SWWT SOB-1836-2R-316 | 36" | 18" | 2" | 36" | 3"5/16' | 1"5/8' | 17"3/8' | 29"3/8' |
| SWWT SOB-1848-2R-316 | 48" | 18" | 2" | 36" | 3"5/16' | 1"5/8' | 17"3/8' | 41"3/8' |
| SWWT SOB-1860-2R-316 | 60" | 18" | 2" | 36" | 3"5/16' | 1"5/8' | 17"3/8' | 53"3/8' |
| SWWT SOB-1872-2R-316 | 72" | 18" | 2" | 36" | 3"5/16' | 1"5/8' | 17"3/8' | 65"3/8' |