

16 Gauge Stainless Steel Open Base Worktable



- Made of 16-gauge, 304

Stainless Steel

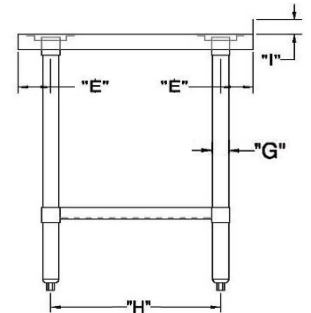
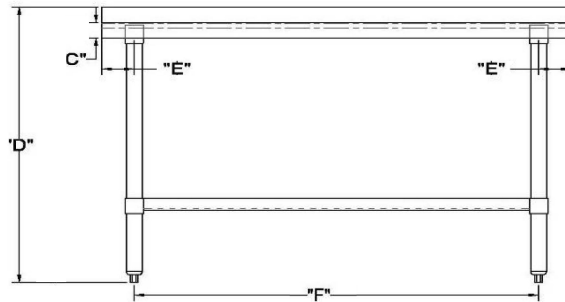
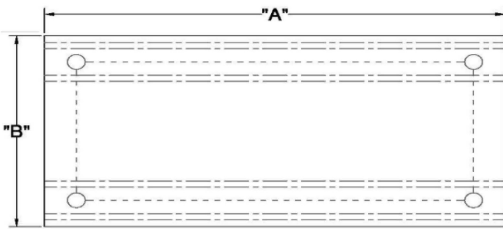
- Open Base makes it Easy to Store

Ingredient Bins or add Custom

Shelving Underneath.

- 1" Adjustable stainless steel bullet

feet for added stability



ITEM	TABLE LENGTH (A)	TABLE DEPTH (B)	TABLETOP THICKNESS (C)	OVERALL HEIGHT (D)	OVERHANG (E)	Ø 8" ± 0.005" (G)	FRONT-BACK LENGTH (H)	RIGHT-LEFT LENGTH (F)
SWWTSOB-1836-316	36"	18"	2"	36"	3"5/16'	1"5/8'	17"3/8'	29"3/8'
SWWTSOB-1848-316	48"	18"	2"	36"	3"5/16'	1"5/8'	17"3/8'	41"3/8'
SWWTSOB-1860-316	60"	18"	2"	36"	3"5/16'	1"5/8'	17"3/8'	53"3/8'
SWWTSOB-1872-316	72"	18"	2"	36"	3"5/16'	1"5/8'	17"3/8'	65"3/8'