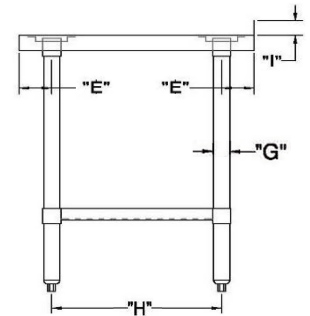
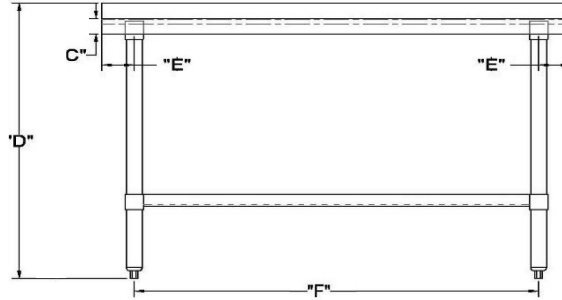
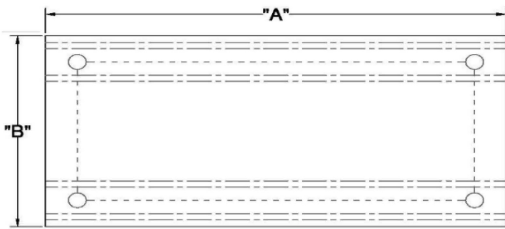


18 Gauge Stainless Steel Open Base Worktable with Splash Guard



- Made of 18-gauge, 304 Stainless Steel
- Open Base makes it Easy to Store Ingredient Bins or add Custom Shelving Underneath.
- 1" Adjustable stainless steel bullet feet for added stability
- A 2" (I) Tall Backsplash is included to keep your Walls Clean



ITEM	TABLE LENGTH (A)	TABLE DEPTH (B)	TABLETOP THICKNESS (C)	OVERALL HEIGHT (D)	OVERHANG (E)	Ø (G)	FRONT-BACK LENGTH (H)	RIGHT-LEFT LENGTH (F)
SWWTSOB-2424-2R-318	24"	24"	2"	36"	3"5/16'	1"5/8'	17"3/8'	17"3/8'
SWWTSOB-2430-2R-318	30"	24"	2"	36"	3"5/16'	1"5/8'	17"3/8'	23"3/8'
SWWTSOB-2436-2R-318	36"	24"	2"	36"	3"5/16'	1"5/8'	17"3/8'	29"3/8'
SWWTSOB-2448-2R-318	48"	24"	2"	36"	3"5/16'	1"5/8'	17"3/8'	41"3/8'
SWWTSOB-2460-2R-318	60"	24"	2"	36"	3"5/16'	1"5/8'	17"3/8'	53"3/8'
SWWTSOB-2472-2R-318	72"	24"	2"	36"	3"5/16'	1"5/8'	17"3/8'	65"3/8'