

Plantation Prestige Commercial Warranty

Plantation Prestige Commercial Furnishings extends a three year limited warranty to the original end use purchaser on frames sold for commercial use as a sign of our dedication to the highest possible quality standards. The warranty is non-transferrable and is intended to cover the furniture under normal commercial use.

This warranty is void if the furniture has been abused, inadequately maintained, or altered in any way. The warranty also becomes void in the event that the furniture has been damaged by acts of nature, calamity or misuse. The extent of the warranty is to cover the material and workmanship of the furniture frame and welds.

To make a claim under this warranty, please contact Plantation Prestige Commercial Furnishings. All claims for this service must be accompanied by a proof of purchase, photos of defective product and a detailed description of the defect. Prior authorization from the factory is required before any return will be accepted.

Plantation Prestige Commercial Furniture, LLC.

3000 Eagle Point Corp. Dr. Suite 200
 Birmingham, AL 35242
 Phone: 205-593-4978
 Fax: 205-981-3912
 Email: custserv@ppcommercial.net



Usage and Assembly Instructions

for

Spun KD Base Hardware Kit

70011435

70011435-01000000

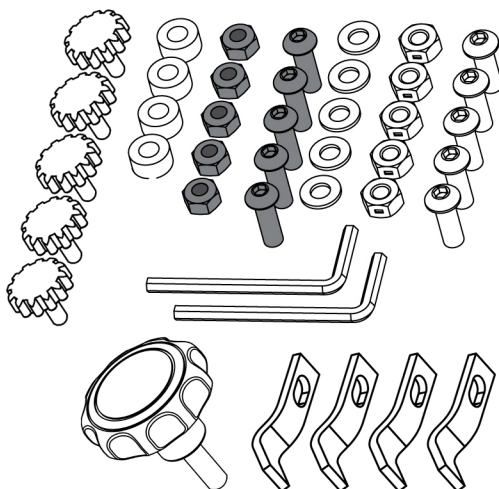
Hardware & Tools Required for Installation

Before beginning assembly, please make sure all parts are present. Compare your hardware kit with the diagram below to verify package contents. If any parts are missing or damaged, please contact customer service for replacement parts.

An adjustable wrench (not included) may be necessary for some installations.

Hardware Kit Contents

- 1/4 in. Allen Head Screw - 5 Pcs.
- 1/4 in. Nut - 5 Pcs.
- 1/4 in. Flat Washer - 5 Pcs.
- M6 Allen Head Screw - 5 Pcs.
- M6 Nut - 5 Pcs.
- 1/4 in. Nylon Spacer - 4 Pcs.
- 5/32 in. Allen Wrench
- M4 Allen Wrench
- J - Clips - 4 Pcs.
- Hand Screw - 1 Pc.
- Foot Glide - 5 pcs.



Use the chart below to determine the correct hardware to use with your table top. 1/4-20 (US Standard) hardware is black and M6 (Metric Standard) hardware is silver.

Micromesh Table Tops

Male Stud - M6 (Black Hardware)	24" x 30" Rectangle	2202430
	30" x 30" Square <td>2203030</td>	2203030
	30" x 40" Rectangle <td>2203040</td>	2203040
	30" x 48" Rectangle <td>2203048</td>	2203048
	30" Round <td>2203000</td>	2203000
	36" x 36" Square <td>2203636</td>	2203636
	36" Round <td>2203600</td>	2203600
	42" Round <td>2204200</td>	2204200

Spun Metal Table Tops

Female - 1/4-20 US (Silver Hardware)	30" Round	2213000
	36" Round <td>2213600</td>	2213600

Solid Table Tops

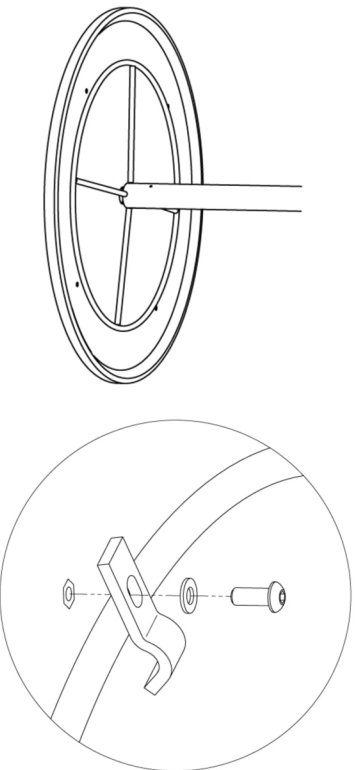
Female - 1/4-20 US (Silver Hardware)	32" x 32" Square	2313232
	32" Round <td>2313200</td>	2313200
	36" x 36" Square <td>2313636</td>	2313636
	36" Round <td>2313600</td>	2313600
	42" Round <td>2314200</td>	2314200

Formed Metal Table Tops

Female Insert - M6 (Black Hardware)	24" x 30" Rectangle	2212430
	30" x 30" Square <td>2213030</td>	2213030
	36" x 36" Square <td>2213636</td>	2213636

Solid Metal or Alternative Top

1. Place table top upside down on a protective surface then place the table base onto the table. Align the table base so that the ring is centered and the braces fall between the holes. While the base is still upside down, hand tighten the 5 foot glides into bottom of base.
2. Determine whether US (black) or Metric (silver) hardware is required for your table top. Then place one washer onto a screw and insert both through a J-Style Clip (included with table base) and into the table top. Repeat for the three additional holes.
3. Use the appropriate Allen wrench to tighten the screws fully. Ensure that the clips are tightened and clamping the table ring but do not over tighten.



Mesh Table Top w/ Ring Mount Base

1. Place table top upside down on a protective surface then place the table base onto the table top with top side down. Align the table base so that the braces fall between the struts. While the base is still upside down, hand tighten the 5 foot glides into bottom of base.
2. Place a J-Style Clip (included with table base), a washer and a nut onto the stud as shown. Use a wrench to partially tighten the nut. Repeat for the three additional holes.
3. Fully tighten the nuts and ensure that the clips are tightened and clamping the table ring. Do not over tighten.

