

Plantation Prestige Commercial Warranty

Plantation Prestige Commercial Furnishings extends a three year limited warranty to the original end use purchaser on frames sold for commercial use as a sign of our dedication to the highest possible quality standards. The warranty is non-transferrable and is intended to cover the furniture under normal commercial use.

This warranty is void if the furniture has been abused, inadequately maintained, or altered in any way. The warranty also becomes void in the event that the furniture has been damaged by acts of nature, calamity or misuse. The extent of the warranty is to cover the material and workmanship of the furniture frame and welds.

To make a claim under this warranty, please contact Plantation Prestige Commercial Furnishings. All claims for this service must be accompanied by a proof of purchase, photos of defective product and a detailed description of the defect. Prior authorization from the factory is required before any return will be accepted.

Plantation Prestige Commercial Furniture, LLC.

3000 Eagle Point Corp. Pky, Suite 200
 Birmingham, AL 35242
 Phone: 205-593-4978
 Fax: 205-981-3912
 Email: custserv@ppcommercial.net



Usage and Assembly Instructions for Butterfly Base Hardware Kit 70011434

70011434-01000000

Hardware & Tools Required for Installation

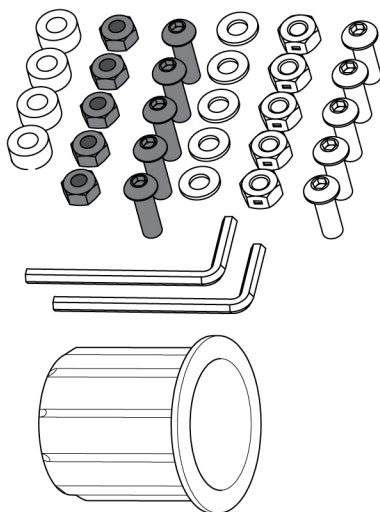
Before beginning assembly, please make sure all parts are present. Compare your hardware kit with the diagram below to verify package contents. If any parts are missing or damaged, please contact customer service for replacement parts.

An adjustable wrench (not included) may be necessary for some installations.

Hardware Kit Contents

- 1/4 in. Allen Head Screw - 5 Pcs.
- 1/4 in. Nut - 5 Pcs.
- 1/4 in. Flat Washer - 5 Pcs.
- M6 Allen Head Screw - 5 Pcs.
- M6 Nut - 5 Pcs.
- 1/4 in. Nylon Spacer - 4 Pcs.
- 5/32 in. Allen Wrench
- M4 Allen Wrench

Butterfly Table Center Bushing



Use the chart below to determine the correct hardware to use with your table top. 1/4-20 (US Standard) hardware is black and M6 (Metric Standard) hardware is silver.

Micromesh Table Tops

Male Stud - M6 (Black Hardware)	24" x 30" Rectangle	2202430	30" x 30" Square	2203030	30" x 40" Rectangle	2203040	30" x 48" Rectangle	2203048	30" Round	2203000	36" x 36" Square	2203636	36" Round	2203600	42" Round	2204200
------------------------------------	---------------------	---------	------------------	---------	---------------------	---------	---------------------	---------	-----------	---------	------------------	---------	-----------	---------	-----------	---------

Spun Metal Table Tops

Female - 1/4-20 US (Silver Hardware)	30" Round	2213000	36" Round	2213600
---	-----------	---------	-----------	---------

Solid Table Tops

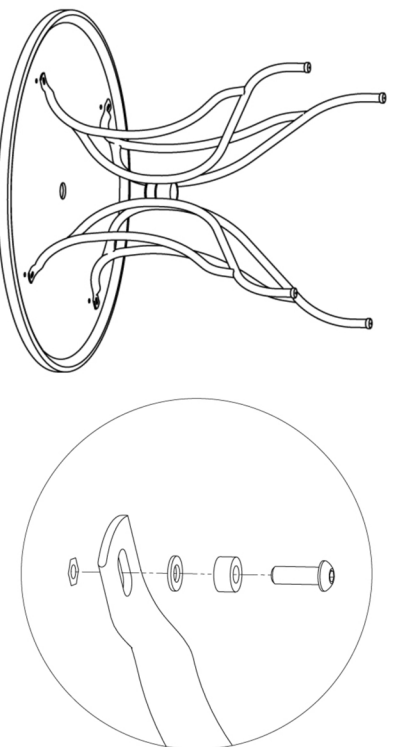
Female - 1/4-20 US (Silver Hardware)	32" x 32" Square	2313232	32" Round	2313200	36" x 36" Square	2313636	36" Round	2313600	42" Round	2314200
---	------------------	---------	-----------	---------	------------------	---------	-----------	---------	-----------	---------

Formed Metal Table Tops

Female Insert - M6 (Black Hardware)	24" x 30" Rectangle	2212430	30" x 30" Square	2213030	36" x 36" Square	2213636
--	---------------------	---------	------------------	---------	------------------	---------

Female Table Top w/ Tab Mount Base

1. Place table top upside down on a protective surface then place the table base onto the table top with top side down. Align the table base so that the mounting holes line up with the table top.
2. Determine whether US (black) or Metric (silver) hardware is required for your table top. Then place one nylon spacer and a washer onto a screw as shown. Insert the screw into the table top and hand tighten. Repeat for the three additional holes.
3. Use the appropriate Allen wrench to tighten the screws fully. Ensure that the base is tight but do not over tighten.
4. Flip the table over and insert the bushing into center of leg base until secure.



Male Table Top w/ Tab Mount Base

1. Place table top upside down on a protective surface. With the table base upside down, place the base onto the top over the studs.
2. Place a washer and a nut onto the stud. Use a wrench to partially tighten the nut. Repeat for the three additional holes.
3. Fully tighten the nuts and ensure that the base is tightened. Do not over tighten.
4. Flip the table over and insert the bushing into center of leg base until secure.

