



## Temperature Configuration and Monitoring

The machine has been shipped with the wash water temperature factory-set to **140°F**.

In accordance with the attached instructions, this temperature can be increased to a maximum of **155°F**. Adjusting the setting to this level will ensure the required temperature for inspection/audit compliance is reached.

The rinsing temperature is currently set to **185°F**.

To ensure accurate monitoring, a measurement device can be attached to the specific point marked in the attached document (Ek2) to verify the desired temperature.

### **İNOKSAN MUTFAK SAN. VE TİC. A.Ş.**

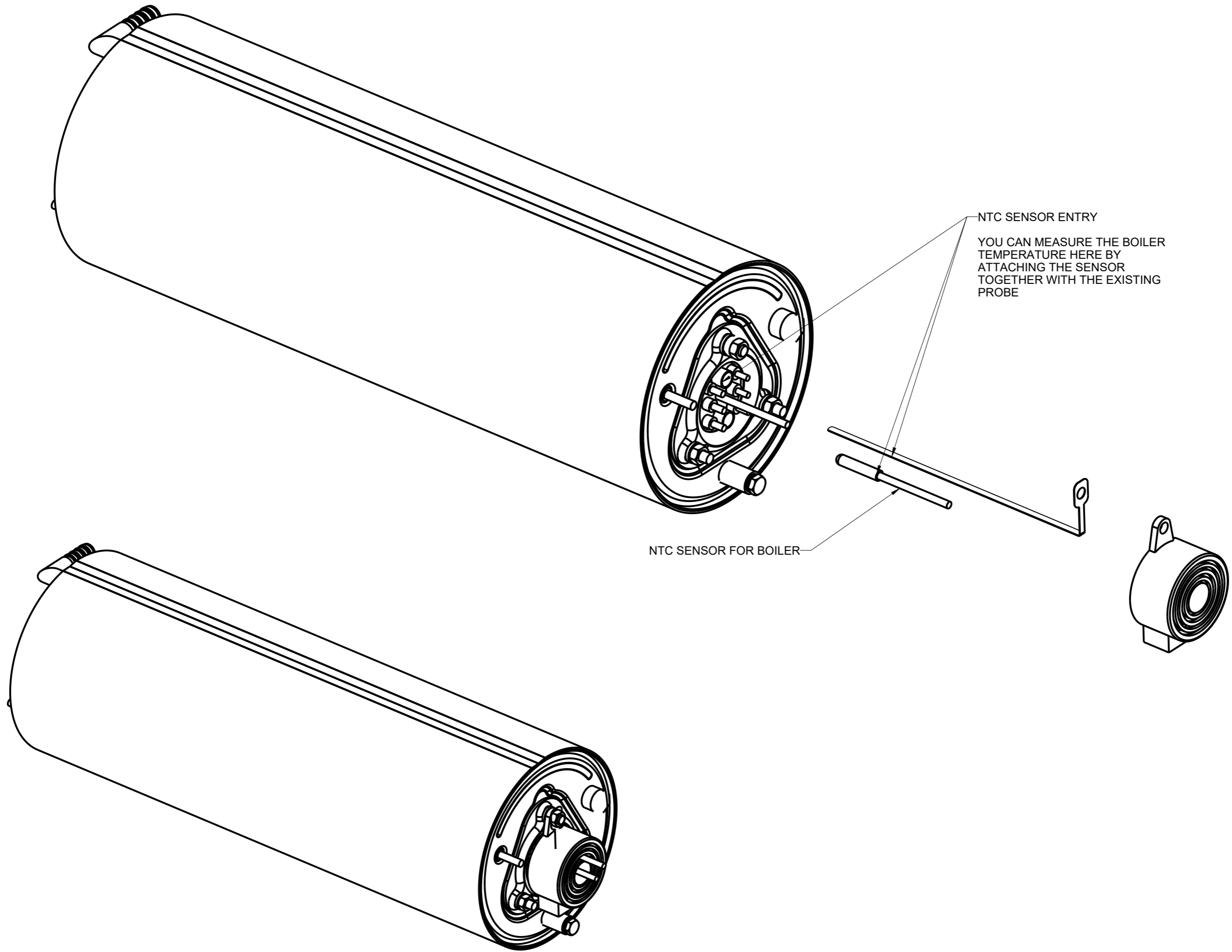
Organize Sanayi Bölgesi Ormanlar Cad. NO:5 16159

Nilüfer / BURSA / TÜRKİYE

Tic.Sicil No. 21207

Tel: 90 (224) 294 74 74 Fax: 90 (224) 243 61 23

[www.inoksan.com.tr](http://www.inoksan.com.tr) / e-mail:[inoksan@inoksan.com.tr](mailto:inoksan@inoksan.com.tr)





## BYM052N - CHANGING THE WASH WATER TEMPERATURE

To change the wash water temperature set value, enter the service menu and adjust the parameters t1, t2, and t3 to the desired temperature values.

### Entering to Service menu :

While the machine is switch off. If the "P1-P2-P3" buttons and "ON/OFF" button is pressed at the same time, Service Menu is get accessible.



Parameter	Descriptions	
t1	LIGHT WASH Tank Temperature	155° F
t2	MEDIUM WASH Tank Temperature	155° F
t3	HARD WASH Tank Temperature	155° F



**Example :**

To change the **MEDIUM WASH temperature**, follow the steps below:

- While the machine is **switched off**, enter the **service menu** by pressing and holding the "**P1–P2–P3**" buttons at the same time and then pressing the "**ON/OFF**" button.
- Use the "**P1**" (**UP**) and "**P2**" (**DOWN**) buttons until "**t2**" appears on the display.
- Press the "**P3**" (**OK**) button to enter the value menu.
- Use "**P1**" (+) and "**P2**" (–) buttons to change the value to **155 °F**.
- Press the "**P3**" (**OK**) button to **save the new value**.
- To save the changes and exit, press the "**ON/OFF**" button and switch off the machine.

