

Refrigerated Pizza Prep Table with Cold Wall Sealed Condiment Rail

- Prep, store, and assemble pizzas with a refrigerated prep-table with cold wall sealed glass-top condiment rail
- Refrigerated sealed condiment rail allows for ingredients to stay fresh overnight
- Marble top with round sauce pan
- Casters (2 locking) included for easy mobility



UCPS568-SS61A



UCPS572-SS61A



UCPS596-SS61A

Model	Description	Voltage/Hz/Phase/Amps	Shipping Weight
UCPS568-SS61A	68" 2 Door Refrigerated Pizza Prep Table + Cold Wall Sealed Condiment Rail	115v / 60hz / 1 / 8	871 lbs
UCPS572-SS61A	72" 2 Door Refrigerated Pizza Prep Table + Cold Wall Sealed Condiment Rail	115v / 60hz / 1 / 8	893 lbs
UCPS596-SS61A	96" 3 Door Refrigerated Pizza Prep Table + Cold Wall Sealed Condiment Rail	115v / 60hz / 1 / 9	1213 lbs

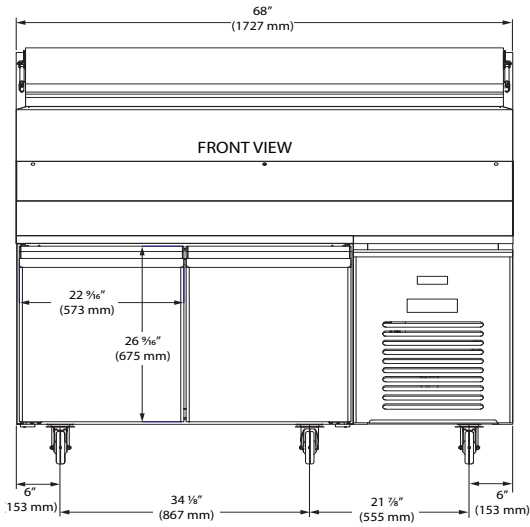
Specifications

UCPS568-SS61A dimensions: 63" H x 68" W x 34 1/2" D	UCPS568-SS61A volume: 13.94 cu ft
UCPS572-SS61A dimensions: 63" H x 72" W x 34 1/2" D	UCPS572-SS61A volume: 13.94 cu ft
UCPS596-SS61A dimensions: 63" H x 96" W x 34 1/2" D	UCPS596-SS61A volume: 21 cu ft
1/3 size adapter bars for top opening supplied	
AISI 304 stainless steel interior and exterior with refrigerated condiment rail, ETL sanitation certified	
Autodefrost	
CFC-free high-density polyurethane insulated cabinet	
Electronic digital temperature control with alarms	
Environmentally friendly R449a refrigerant: UCPS568-SS61A & UCPS572-SS61A: 35 oz (1.0 kg); UCPS596-SS61A: 49 oz (1.4 kg)	
Epoxy coated, sealed evaporator eliminates potential corrosion	
Factory pre-wired for dedicated outlet, 11 ft cord and plug included NEMA 5-15P	
High efficiency compressor, side mount	
Includes 1 epoxy coated wire shelf standard, per door section	
Interior rounded corners for easy cleaning	
NSF/ANSI Standard 7 compliant	
Pans not included	
Self-lubricating, sealed cast iron evaporator fan motor with high volume airflow design	
Temperature ranges: Base 28°F to 46°F Condiment rail: 35°F to 50°F	

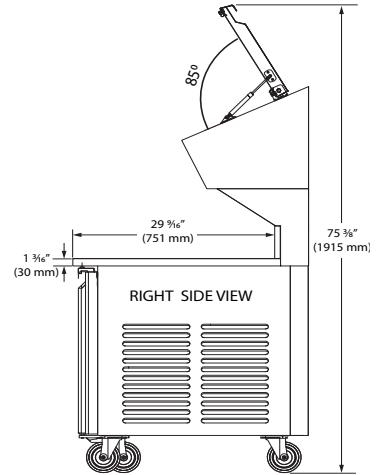
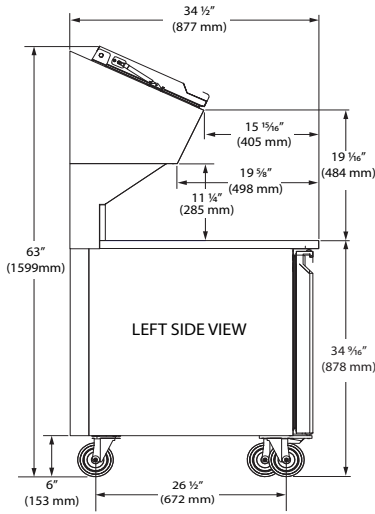
Accessories	Description	Shipping Weight
ULA4082514	(1) Stainless steel shelf guide for prep tables, 24"	.88 lb
ULAQ32-4666-ETL	(1) Epoxy coated wire shelf, 17 7/8" x 25 7/8" for prep tables	2.2 lb

68"

Front

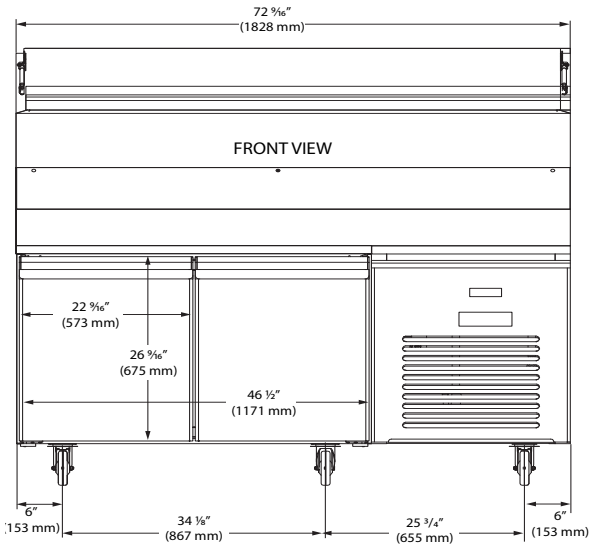


Side

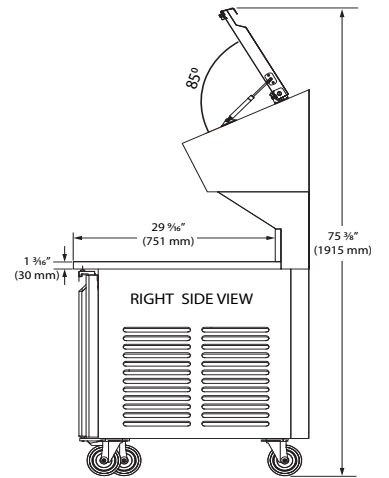
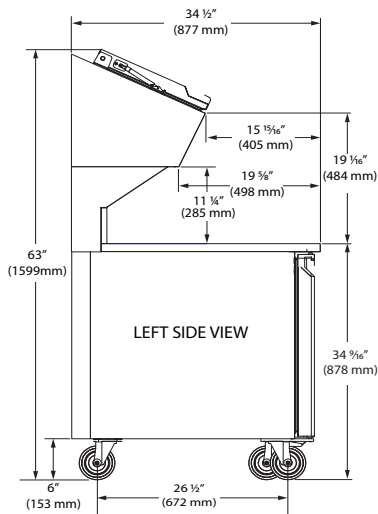


72"

Front



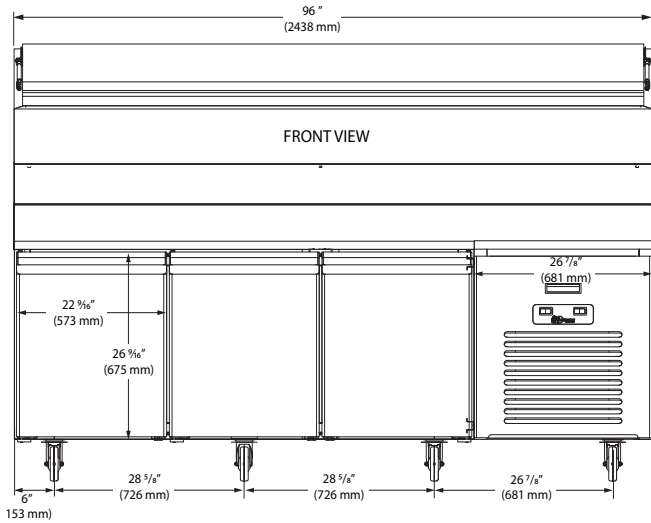
Side



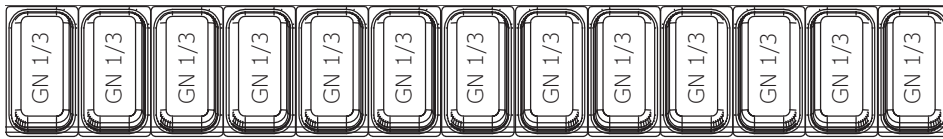
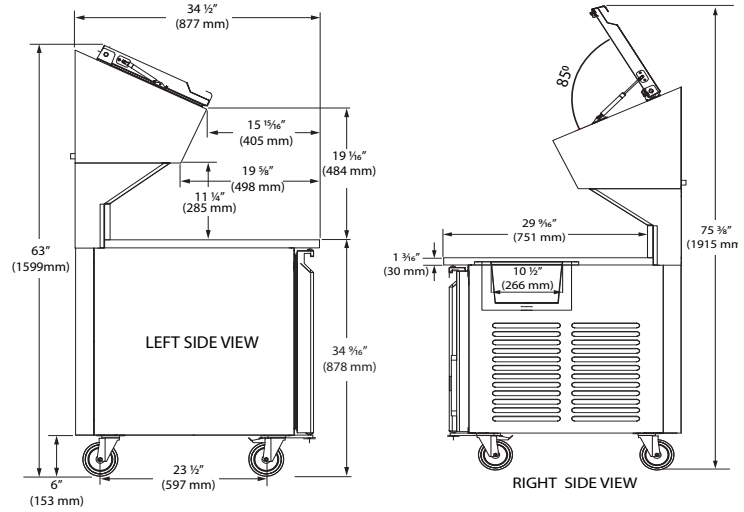
UCPS568-SS61A & UCPS572-SS61A condiment rail
(for reference only - pans not included)

96"

Front



Side



UCPS596-SS61A condiment rail
(for reference only - pans not included)

Commercial Warranty

3 Year (parts & labor) / 5 year sealed system (parts)

See complete warranty for details

