

Single Hole Wall Mount Faucet

ROYAL SERIES



Standard Features

- Single hole, single temp
- 1/4 Turn high performance ceramic cartridge valve with integral check
- Durable full range swing spout with double o-ring construction
- Lever handle
- Fits in 3/4" hole
- Mounting kit included

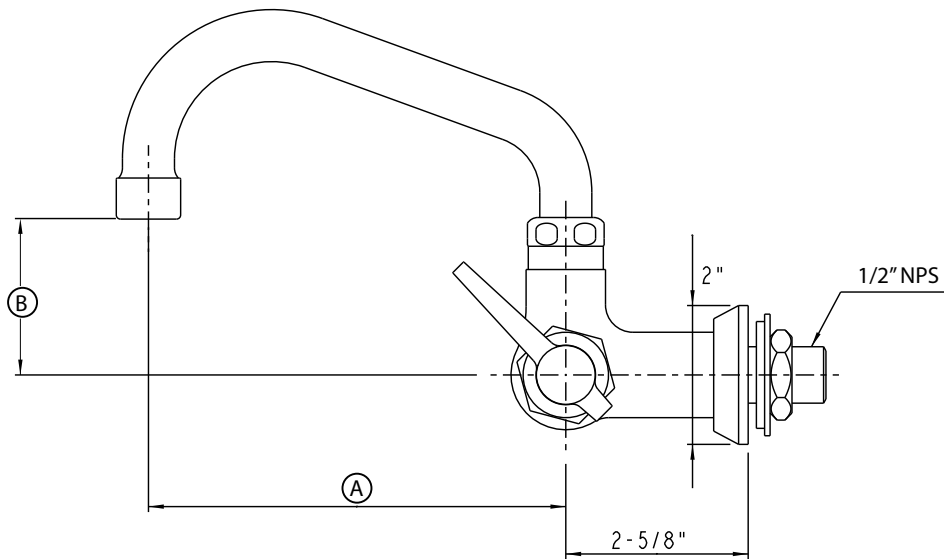
Specifications

Water Inlet	1/2" NPS Male
Temp. Range	40°F - 180°F
Rough In	7/8"
Material	Chrome Plated Brass
Flow Rate	1.8 GPM
Spout Type	Swing
Spout Length (A)	6" (16-170L)
	12" (16-171L)
Spout Height (B)	2-1/4" (16-170L)
	4-7/16" (16-171L)
Weight	2.5 lbs.

Model	Description
16-170L	Royal Series Single Hole Wall Mount Faucet with 6" Spout
16-171L	Royal Series Single Hole Wall Mount Faucet with 12" Spout

Product Compliance

- NSF-61 & NSF/ANSI 372
- NSF/ANSI/CAN 61: Q < 1
- ASME A112.18.1-2011/CSA B125.1-11
- Massachusetts Approved
- CEC Approved



Warning:

Plumbing connections should be made by qualified personnel who will observe all applicable plumbing, sanitary and safety codes

California Prop 65 Warning:

This product can expose you to chemicals including lead and lead compounds, which are known to the State of California to cause cancer and birth defects or other reproductive harm. For more information go to www.P65Warnings.ca.gov.