

Electronic Sensor Faucet Single Hole Deck Mount

ROYAL SERIES



Standard Features

- Single Hole Deck Mount
- Infrared Sensor Operated
- Battery Powered Control Module, (4) AA Batteries Included, AC Adapter Optional
- Built-In Filter to Prevent Debris from Entering Solenoid Valve
- Low Battery Indicator Light
- Battery Life 1-3 Years Based on Usage

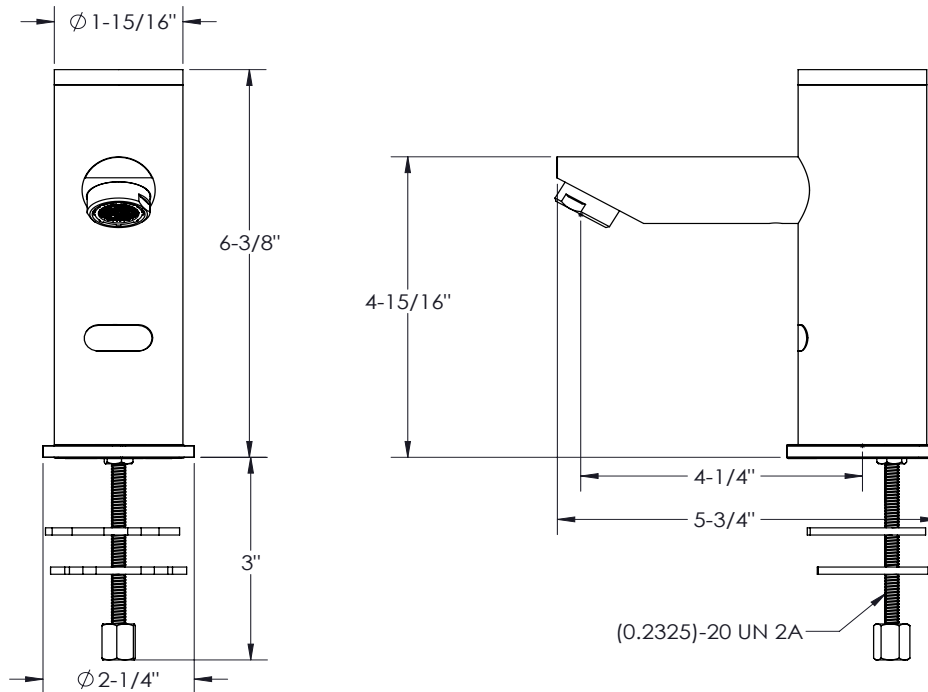
Specifications

Water Inlet	Preinstalled M10*1.0 spout supply hose
Temp. Range	40°F - 180°F
Rough In	1/2" round hole hose
Flow Rate	0.5 GPM
Material	Chrome plated brass
Weight	5 lbs.

Model	Description
16-654	Royal Series Single Hole Deck Mount Sensor Faucet with Straight Spout
16-654P	Royal Series Single Hole Deck Mount Sensor Faucet with Straight Spout, 4" Deck Plate
16-654P8	Royal Series Single Hole Deck Mount Sensor Faucet with Straight Spout, 8" Deck Plate

Product Compliance

- NSF/ANSI/CAN 61: Q < 1
- NSF/ANSI 372
- ASME A112.18.1/CSA B125.1
- Meets ANSI A117.1 (ADA)
- CEC Listed
- Massachusetts Approved



Warning:

Plumbing connections should be made by qualified personnel who will observe all applicable plumbing, sanitary and safety codes

California Prop 65 Warning:

This product can expose you to chemicals including lead and lead compounds, which are known to the State of California to cause cancer and birth defects or other reproductive harm. For more information go to www.cdph.ca.gov/Programs/CID/DCDC/Pages/Default.aspx

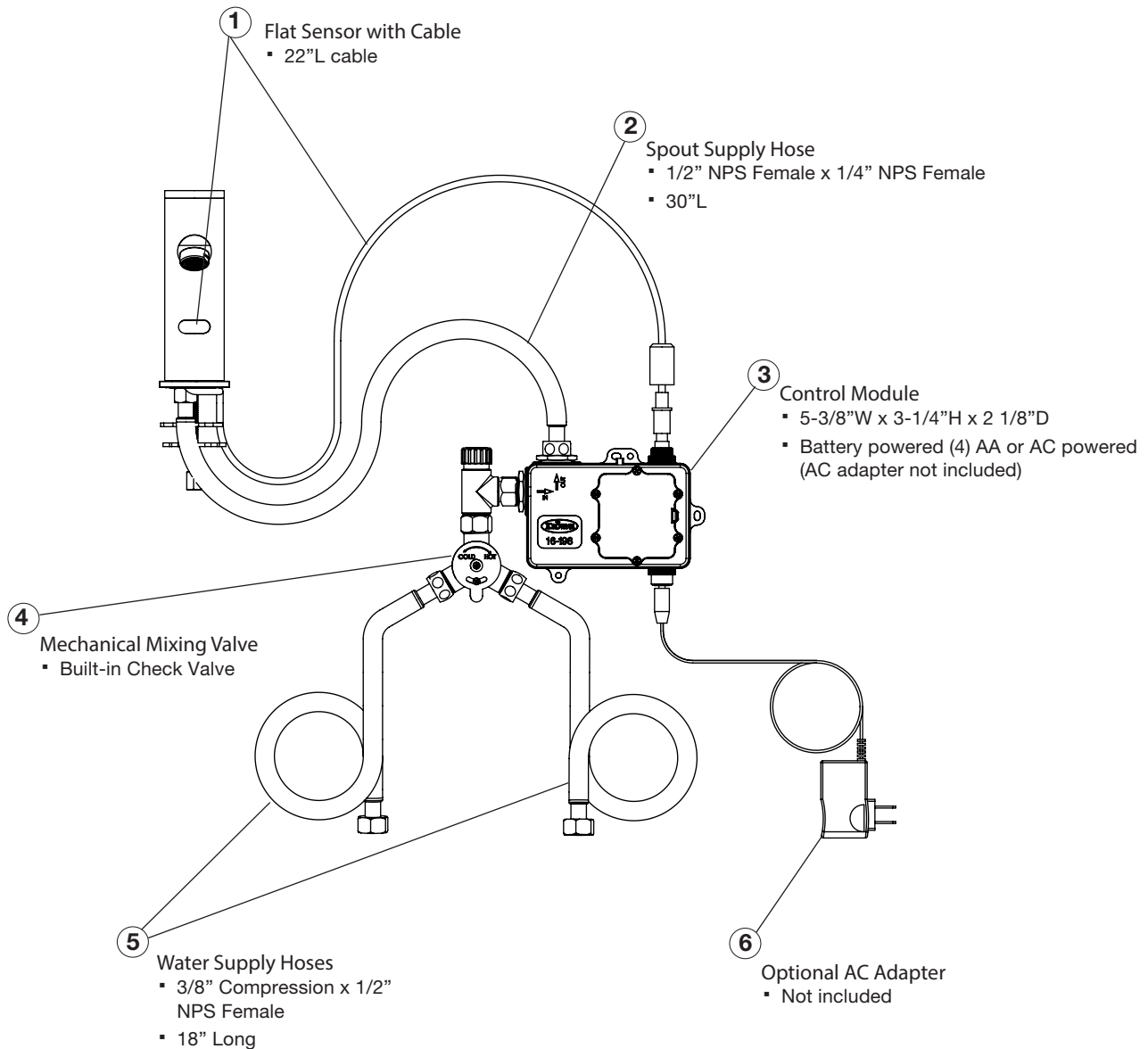
Electronic Sensor Faucet Single Hole Deck Mount

ROYAL SERIES

Flow Control	Setting		
Shut-Off	1s	10s	15s
Auto Flush	ON		OFF

Default Flow Control Setting Highlighted in

No.	Replacement Parts	Model
1	Convex Sensor with Cable	16-506
2	Spout Supply Hose	16-511
3	Control Module	16-198
4	Mechanical Mixing Valve	16-402L
5	Water Supply Hoses	16-510



Warning:

Plumbing connections should be made by qualified personnel who will observe all applicable plumbing, sanitary and safety codes

California Prop 65 Warning:

This product can expose you to chemicals including lead and lead compounds, which are known to the State of California to cause cancer and birth defects or other reproductive harm. For more information go to www.cdph.ca.gov/Programs/CID/DCDC/Pages/Default.aspx