

Single Hole Deck Mount Pre-Rinse

ROYAL SERIES



Standard Features

- Pre-assembled to cut installation time
- Includes wall bracket with screws and mounting hardware
- 1/4 turn ceramic cartridge valves
- 44" stainless steel hose with grip
- Includes 20" water supply hoses
- Interchangeable with most brands
- Built-in check valves
- Built for high volume
- Full replacement parts available

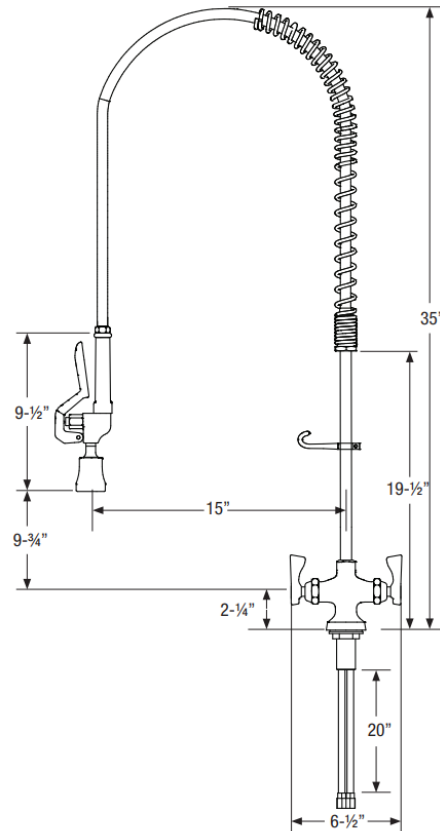
Specifications

Water Inlet	3/8" Female Compression
Temp. Range	40° - 180°F
Rough In	1-1/8" Hole
Spray Head Flow Rate	1.15 GPM @ 60 PSI
Material	Solid Brass
Finish	Polished Chrome
Weight	13 lbs.

Model	Description
17-202WL	Single Hole Deck Mount Pre-Rinse

Product Compliance

- NSF-61 & NSF/ANSI 372
- ASME A112.18.1-2011/CSA B125.1-11 & NSF/ANSI 372
- CEC Listed
- Commonwealth of Massachusetts



Warning:

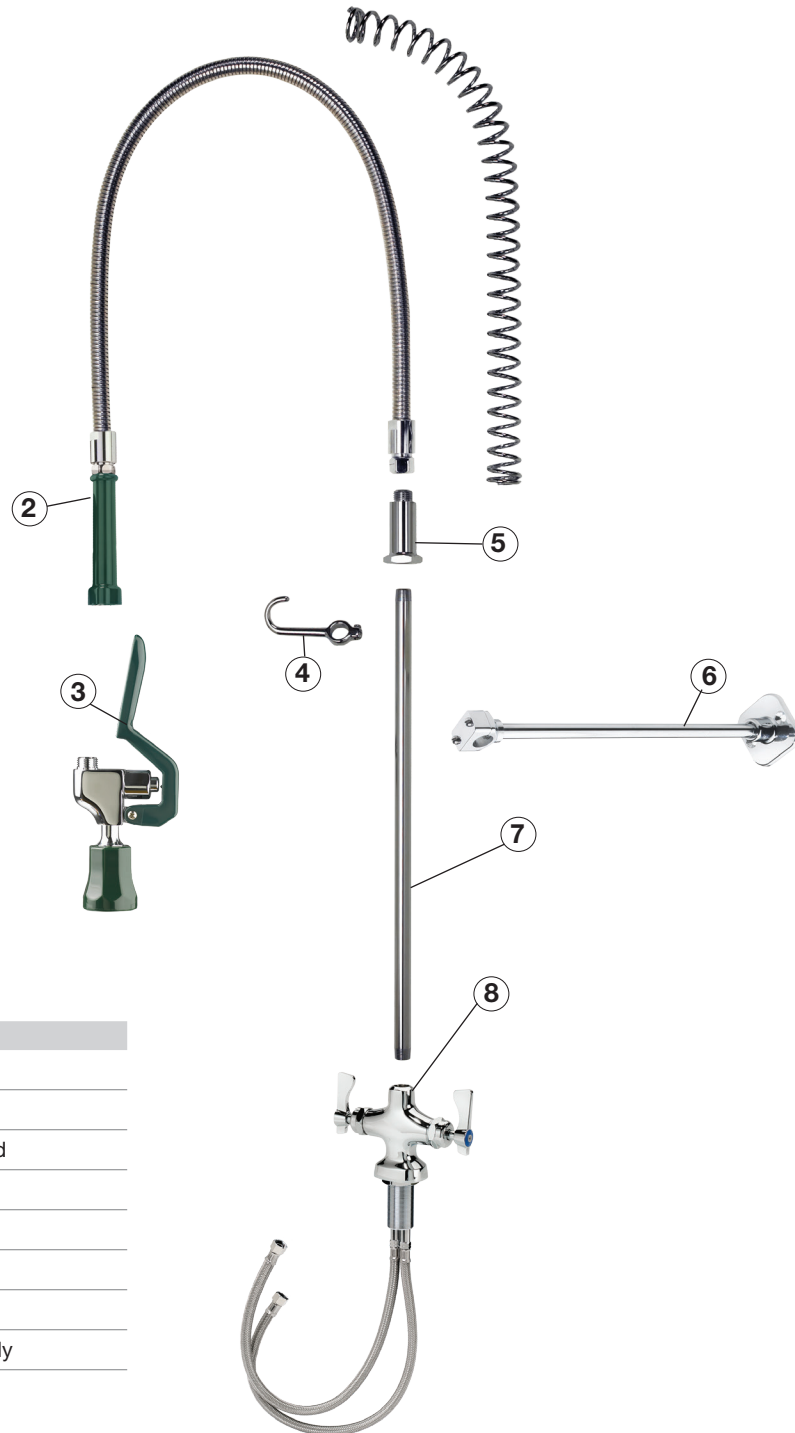
Plumbing connections should be made by qualified personnel who will observe all applicable plumbing, sanitary and safety codes

California Prop 65 Warning:

This product can expose you to chemicals including lead and lead compounds, which are known to the State of California to cause cancer and birth defects or other reproductive harm. For more information go to www.P65Warnings.ca.gov.

Single Hole Deck Mount Pre-Rinse

ROYAL SERIES



Replacement Parts

No.	Model	Description
1	21-162	24" Spring
2	21-133L	44" Hose with Grip
3	21-129L	1.15 GPM Spray Head
4	21-165	Hook Assembly
5	21-161L	Spring Retainer
6	21-137	Wall Bracket
7	21-160L	18" Riser
8	21-202L	Pre-Rinse Faucet Body

Warning:

Plumbing connections should be made by qualified personnel who will observe all applicable plumbing, sanitary and safety codes

California Prop 65 Warning:

This product can expose you to chemicals including lead and lead compounds, which are known to the State of California to cause cancer and birth defects or other reproductive harm. For more information go to www.P65Warnings.ca.gov.