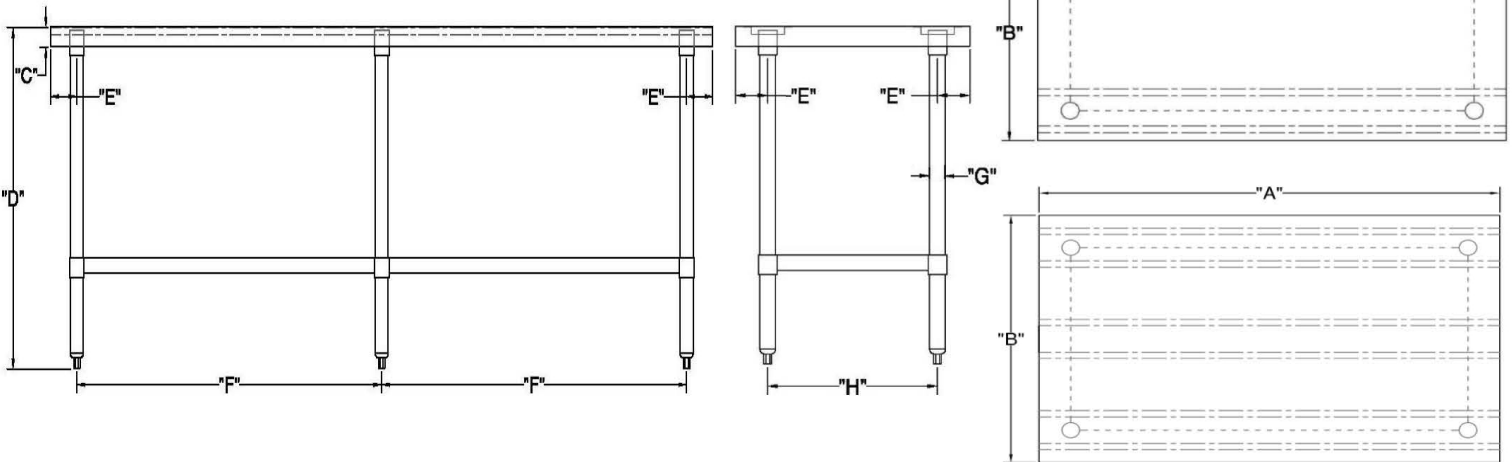


16 Gauge Stainless Steel Open Base Worktable



- Made of 16-gauge, 304 Stainless Steel
- Open Base makes it Easy to Store Ingredient Bins or add Custom Shelving Underneath.
- 1" Adjustable stainless steel bullet feet for added stability



ITEM	TABLE LENGTH (A)	TABLE DEPTH (B)	TABLETOP THICKNESS (C)	OVERALL HEIGHT (D)	OVERHANG (E)	Ø 8' ± Ø U= (G)	FRONT-BACK LENGTH (H)	SIDE-CTR LENGTH (F)
SWWTSOB-2484-318	84"	24"	2"	36"	3"5/16'	1"5/8'	17"3/8'	17"3/8'
SWWTSOB-2496-318	96"	24"	2"	36"	3"5/16'	1"5/8'	17"3/8'	17"3/8'
SWWTSOB-3084-318	84"	30"	2"	36"	3"5/16'	1"5/8'	17"3/8'	23"3/8'
SWWTSOB-3096-318	96"	30"	2"	36"	3"5/16'	1"5/8'	17"3/8'	29"3/8'