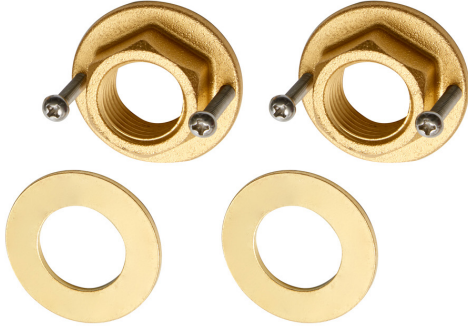


1/2" Locknut with Set Screws

ROYAL SERIES



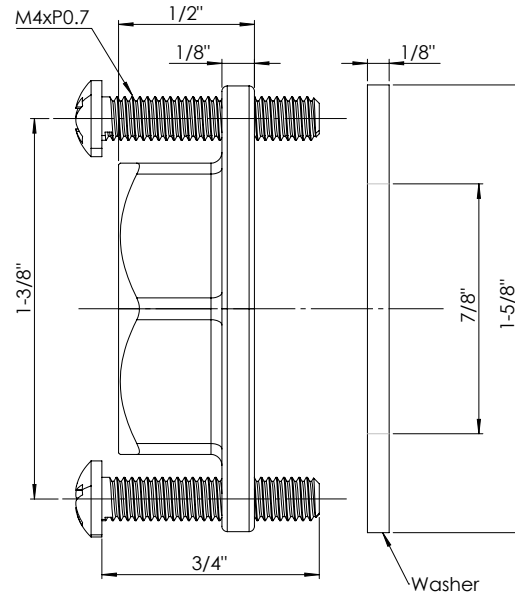
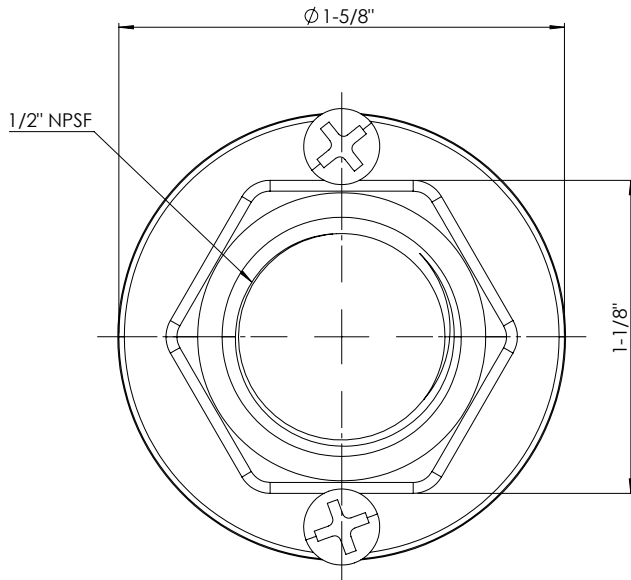
Model	Description
21-182	1/2" Locknut with Set Screws

Standard Features

- Integrated holes for set screws allow the locknut to be firmly locked in place
- Perfect for cramped installations where a wrench can't fully turn the nut; users can use the set screws to firmly secure it
- Set screws are designed for a phillips head screwdriver, making tightening simple with a tool everyone has on hand

Specifications

Material	Brass (Locknut) Washer (Iron) Screws (SS 304)
Weight	1 lbs.



Warning:

Plumbing connections should be made by qualified personnel who will observe all applicable plumbing, sanitary and safety codes

California Prop 65 Warning:

This product can expose you to chemicals including lead and lead compounds, which are known to the State of California to cause cancer and birth defects or other reproductive harm. For more information go to www.cdph.ca.gov/Programs/CID/DCDC/Pages/Default.aspx