



Project: \_\_\_\_\_

Model: \_\_\_\_\_ Series #: \_\_\_\_\_

Dealer: \_\_\_\_\_ Quantity#: \_\_\_\_\_

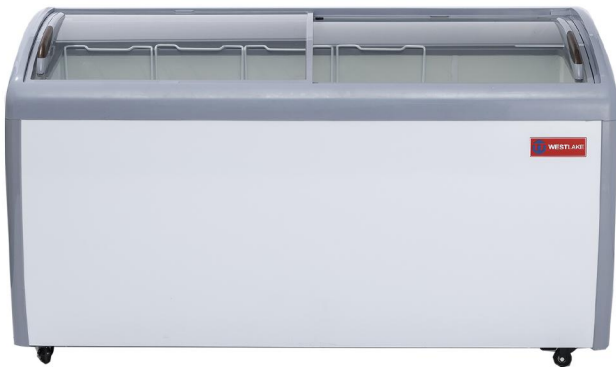
Delivery address: \_\_\_\_\_ Date: \_\_\_\_\_

## Commercial Ice Cream Freezer

SKU#WK-SD460JY

### Features

- Foamed in place polyurethane insulation helps maintain performance even in 100 °F ambient.
- Durable steel cabinet with powder coated painted surface and steel interior
- Angle top design with clear glass displays product attractively
- Low-E Curved glass sliding lids display product to encourage sales; lids lock for security
- Includes 4 epoxy-coated steel basket with a weight capacity of 33 lb. each
- Designed for commercial use to provide reliability, durability, and ease of use, and Garage use ready
- R290 hydro carbon refrigerant that has zero(0) ozone depletion-potential(ODP) & three(3) global warming potential(GWP)



### WARRANTY:

- 2 Years Parts and Labor
- 6 Years compressor (Additional 4 years parts only)
- Westlake is responsible for components failure, but is not responsible for improper operation failure and artificial damage.



Conforms to UL&NSF-7 Standards





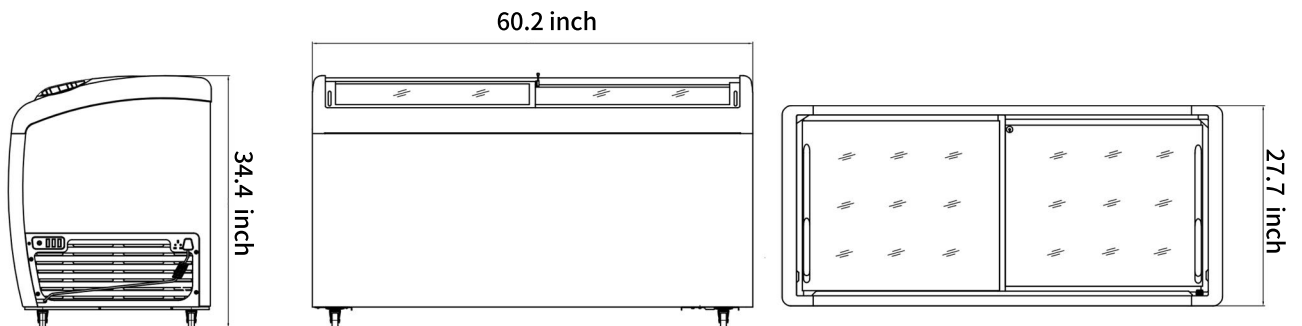
# Commercial Ice Cream Freezer

SKU#WK-SD460JY

## TECHNICAL DATA

Factory Model	SD460JY
SKU	WK-SD460JY
Refrigeration & Freezing Temperature Range	32°F ~ 41°F / 6°F ~ -14°F
Refrigerant	R290
Defrosting	Direct Cooling
Horse power	370W
Exterior Dimension(WxDxH)inch	60.2" x 27.7" x 34.4"
Gross Weight(lb)	176lb
Net Weight(lb)	154lb
Packing Dimension(WxDxH)inch	63.1" x 29.9" x 37.4"
Voltage/phase/Hz	115V/60hz
Amps	NEMA 5-15P

## PLAN VIEW



NEMA 5-15P