

PBC-450-TS-CAB-1DR, 1-Rack 450 lbs Modular Blast Chiller

BLAST CHILLER SPECIFICATIONS

The standard modular blast chiller solution includes the panel walk-in, evaporator, and condensing unit. The high-capacity unit is well suited to a high-volume professional kitchen workflow, making it possible to improve your kitchen efficiency and food quality while staying within HACCP guidelines.

Standard features include a NEW advanced touch screen controller with USB port, holding cycle (once your cycle is completed the unit automatically switches over to a cooler), a single point product core probe, and up to 99 customized recipe programs.

Touch screen controller



**PBC450-TS
P/N 5978**

EVAPORATOR OUTSIDE DIMENSIONS

(single evaporator coil only)
28.8" W x 16.67" D x 72.08" H

OUTPUT CHILLING CAPACITY*

450 lbs within 90 minutes

OUTPUT THAWING CAPACITY*

0°F/38°F 90 lbs within 240 minutes
0°F/38°F 180 lbs within 480 minutes
0°F/38°F 270 lbs within 720 minutes

REFRIGERANT:

R448A

HEAT LOAD BTU/HR:

25,850/-10°F SST/+95°F ambient

ELECTRICAL SUPPLY:

1 PH/208-240 V/60 Hz

20 A circuit, # 12 wire required

STANDARD FEATURES

- New advanced 7" Gorilla glass touch screen controller with USB port on easy-to-use control panel
- Holding cycle: automatically switches over to holding mode after each cycle is completed
- One single point product core probe registers product temperatures
- Meets the demands of HACCP guidelines for proper food chilling
- Automatic air defrost
- Evaporator is enclosed in a frame and cabinet
- Programmable controller with up to 99 customized options
- Electric thawing heaters

WARRANTY

- Two years warranty on parts and labor
- Compressor warranty 3-5 years (parts only)

A COMPLETE SOLUTION

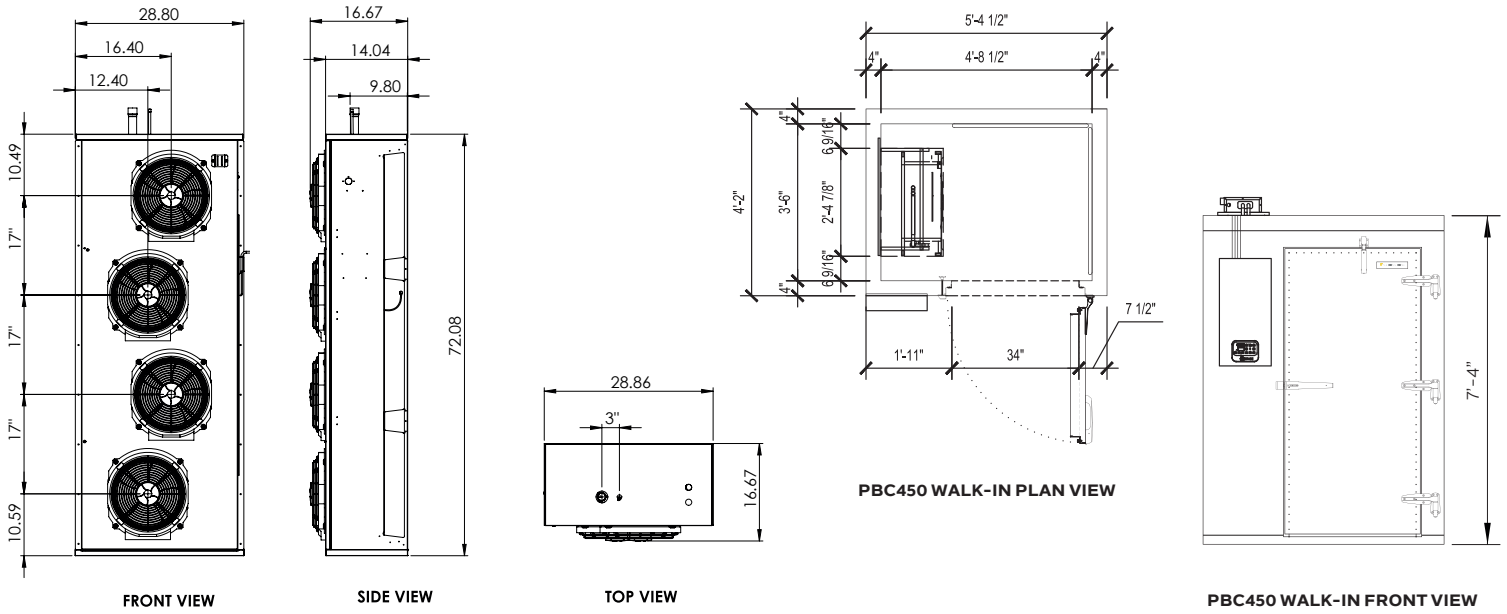
The package includes a PrepRite™ walk-in, perfectly designed to fit your blast chiller needs. The walk-in is available with 1 or 2 doors, external ramp, 8" deep interior ramp designed to accommodate 1 roll-in rack at 32" x 32" x 74" and features our exclusive anti-bacterial Sanisteel interior metal finish.

It also includes an air cooled, remote, outdoor condensing unit as standard. Other condensing unit options, including indoor and water-cooled models are available on request.

Note: * Performance ratings for this unit are based on exterior dimensions of 64.5" W x 50" D x 88"H. Your performance results may vary based on the interior dimensions of your unit and the characteristics of the food being processed. Contact your regional sales person for more information.

Notes: The installation of the blast chiller and the installation of the remote condensing unit must be performed by a qualified professional. All specifications are subject to change without notice.

PBC-450-TS-CAB-1DR, 1-Rack 450 lbs Modular Blast Chiller



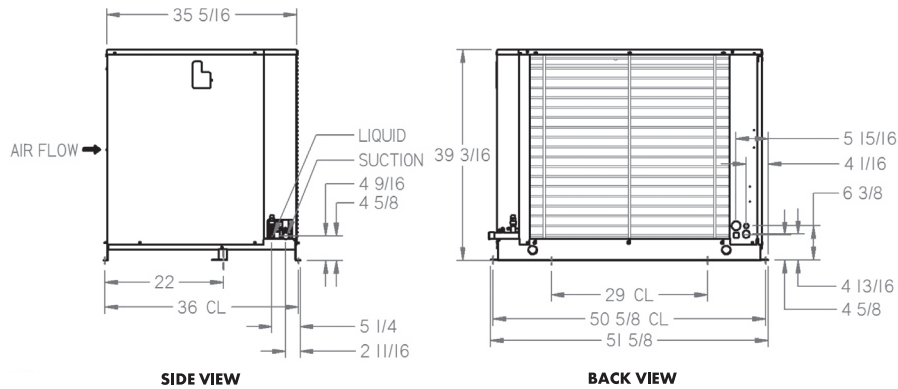
EVAPORATOR MODEL	DIMENSIONS				
	OUTSIDE			SHIPPING	
	WIDTH	DEPTH	HEIGHT	DIMENSIONS	WEIGHT
PBC450-TS 5978	28.8"	16.67"	72.08"	81" x 41" x 19.5"	400 lbs

PBC 450 WALK-IN DIMENSIONS (ins)		
WIDTH	DEPTH	HEIGHT
64.5	50	88

MAXIMUM LOAD PER CYCLE	ELECTRICAL DATA					REFRIGERATION DATA		
	Chill	Volts	Hz	Phase	Amps	Circuit Amps	Refrigerant	Suction Line
450 lbs	208-240	60	1	8.92	20	R448A	1.38	0.38

OUTDOOR REMOTE CONDENSING UNIT PBC-450-R448-CU-208/230 P/N 5963

All dimensions in inches



ELECTRICAL DATA – SUPPLY 3 PH/208-240 V/60 Hz											
Compressor(s)		Fan Motor(s)			Electric Ratings						
RLA	LRA	Qty.	Hp	FLA	Defrost Type	High or Low Amps	Contactors	MCA	MOPD	Evap. Fan Amps	Defrost Heater Amps
23.6	161	1	1/3	2.7	Air Defrost	N/A	N/A	32.2	50	N/A	N/A

UNIT SPECIFICATIONS									
Refrigerant	Connections (ins)		Receiver 90% Full (lbs)		Fan Blade(s) Dia. (ins)	Sound Data (dB)	Approx. Net Weight (lbs)	Shipping Weight (lbs)	Shipping Dims. (ins) L x W x H
	Liquid Line	Suction	Standard	Oversized					
R448A	0.5	1.125	28	52	22	78	741	927	36.75 x 51.75 x 39.25

Notes: The installation of the blast chiller and the installation of the remote condensing unit must be performed by a qualified professional. All specifications are subject to change without notice



Proud to be family-owned.

